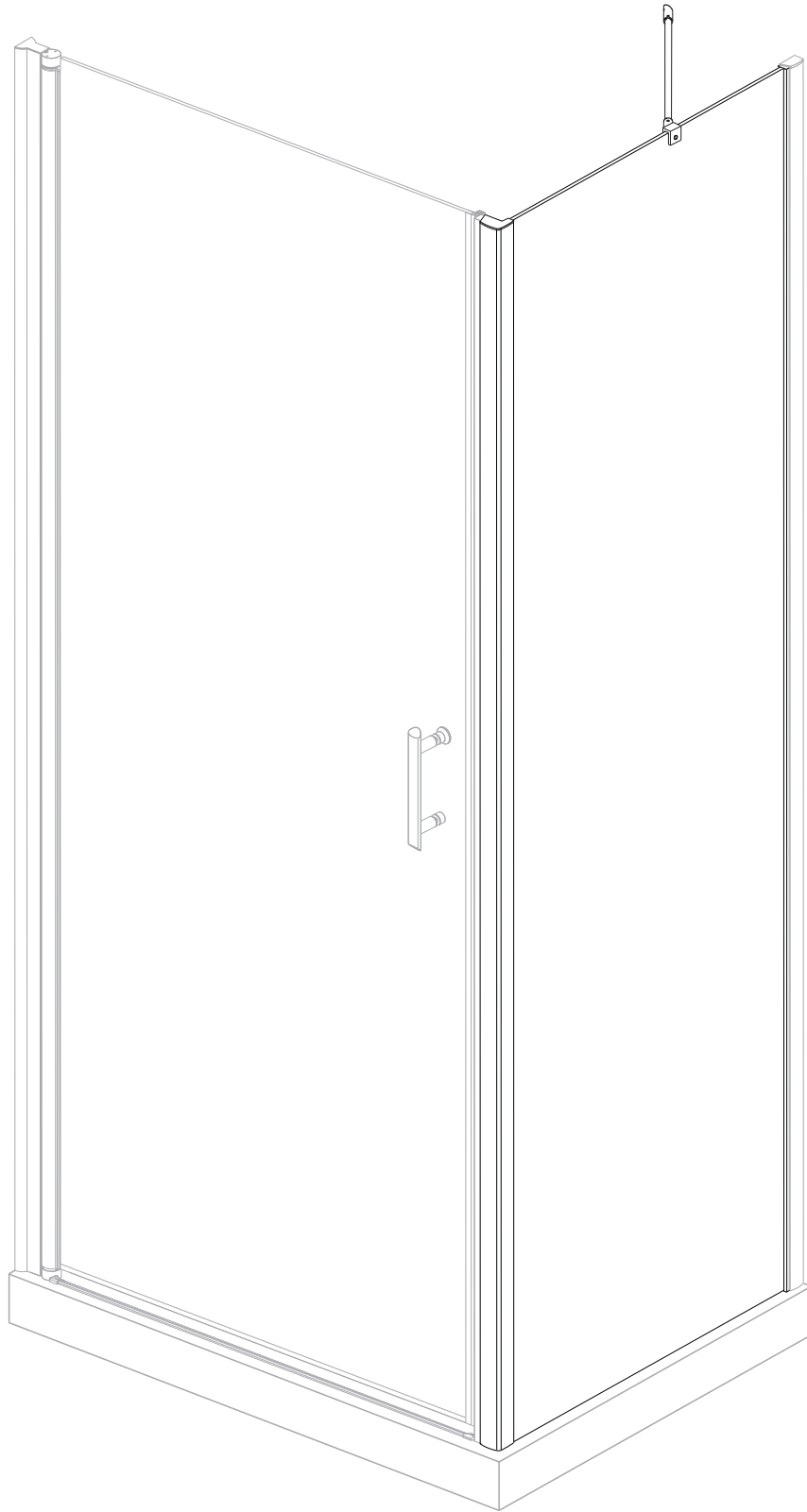
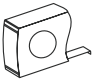


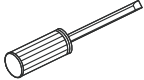

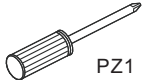

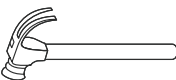
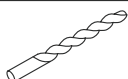



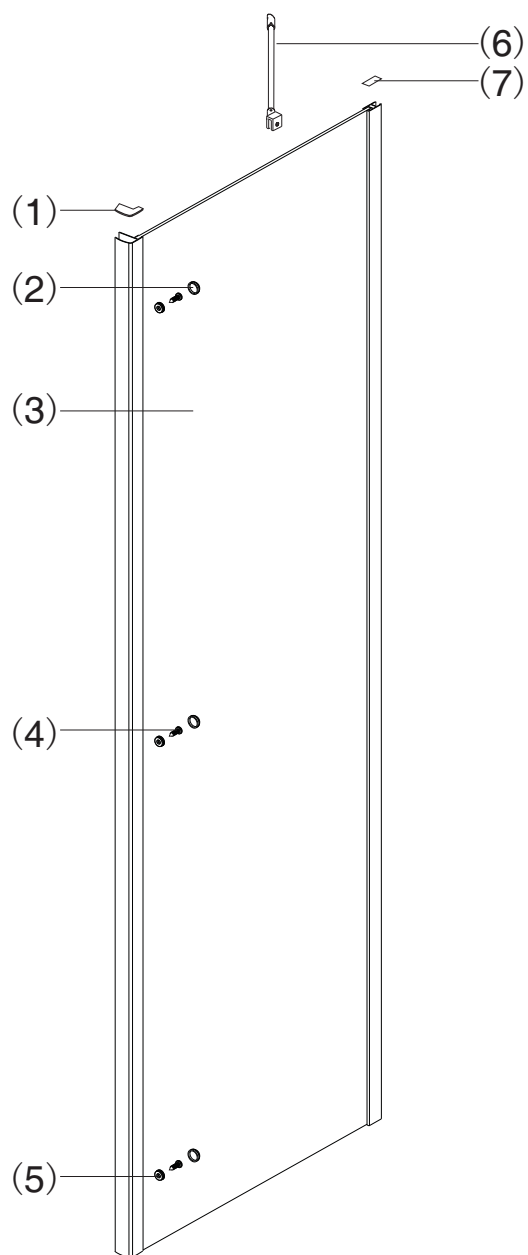
6mm SIDE PANEL



TOOLS REQUIRED

| DESCRIPTION | PART IMAGE | DESCRIPTION | PART IMAGE |
|----------------|---|------------------------|---|
| Tape measure |  | Drill |  |
| Spirit level |  | Flat-head Screwdriver |  |
| Pencil |  | Cross head Screwdriver |  PZ1 |
| Ø6mm Drill bit |  | Hammer |  |
| Ø3mm Drill bit |  | Silicone Sealant |  |

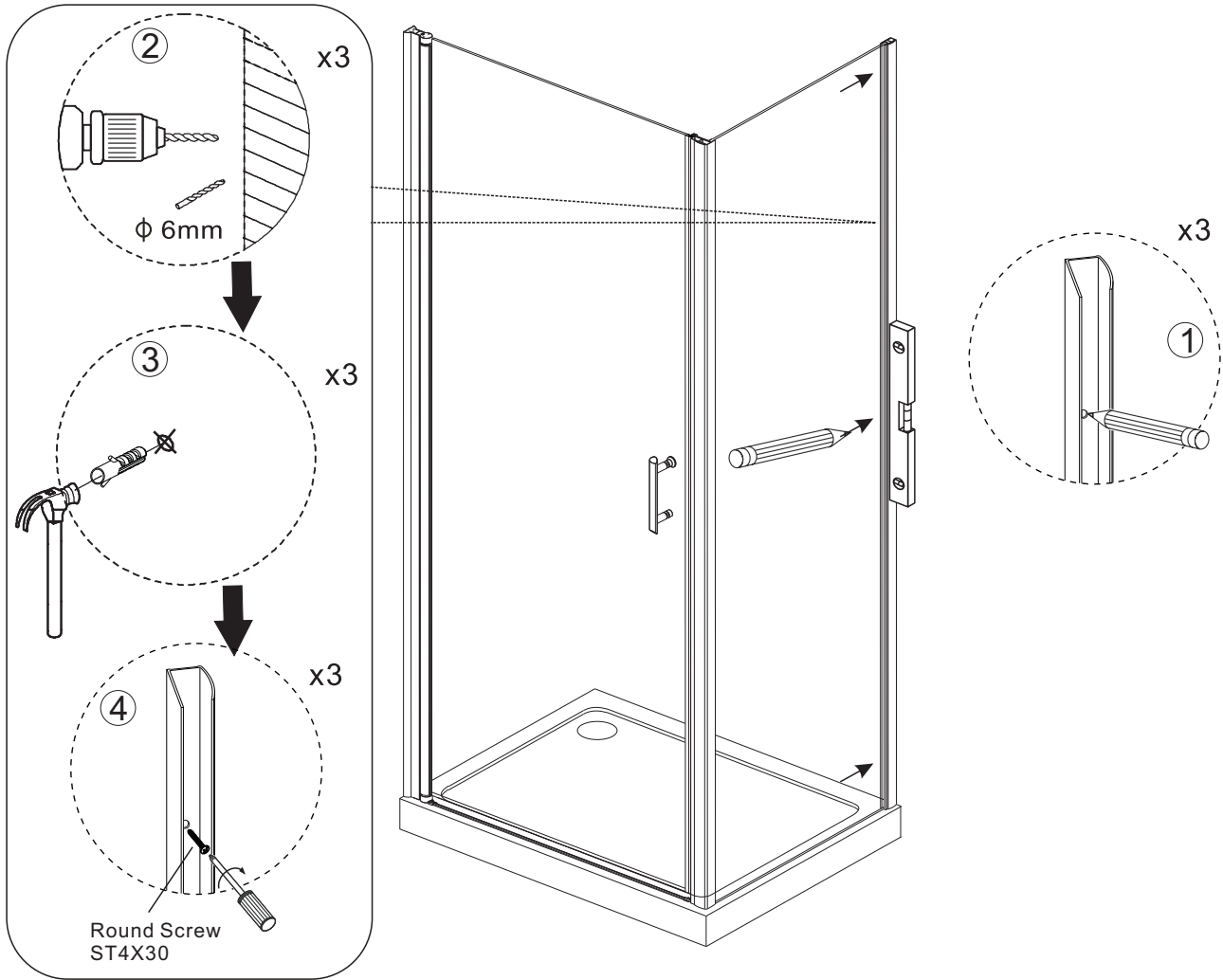
ASSEMBLY INSTRUCTIONS-DRAWING+SIDE PANEL



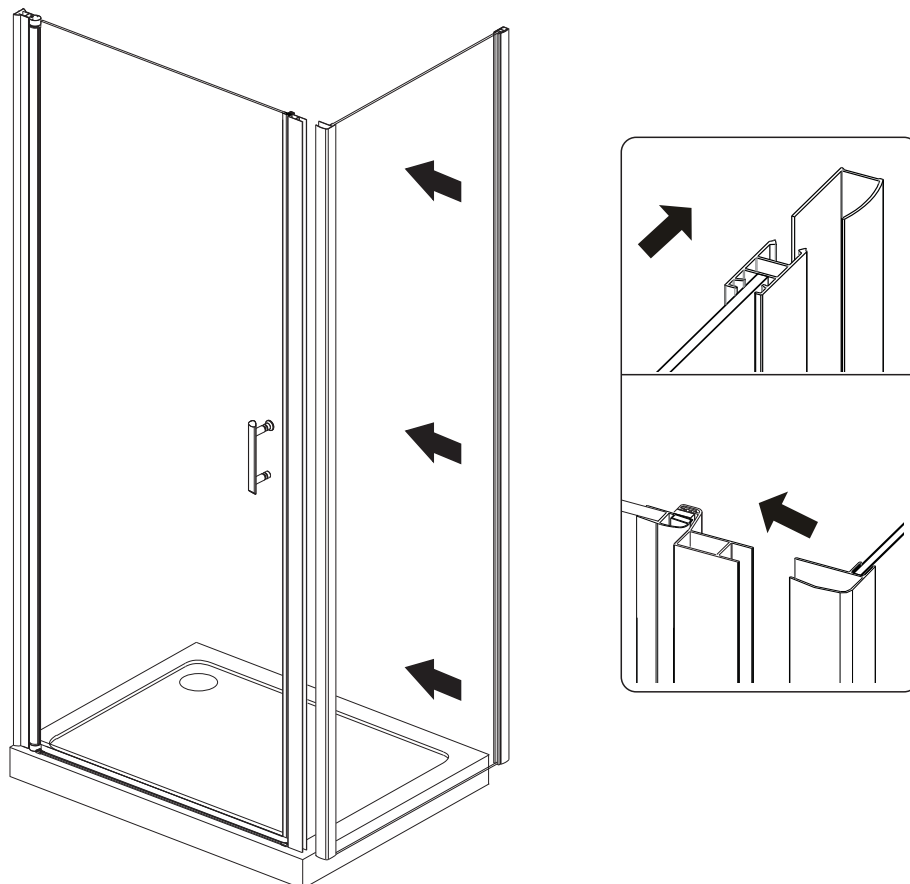
- (1) 2x Corner Post Cover Cap L&R
- (2) 3x Screw Cover Clips
- (3) 1x Side Panel
- (4) 3x Screws 4x12
- (5) 3x Screw Cover Caps
- (6) 1x Wall Bracket
- (7) 1x Upright Profile Cover Caps

ASSEMBLY INSTRUCTIONS

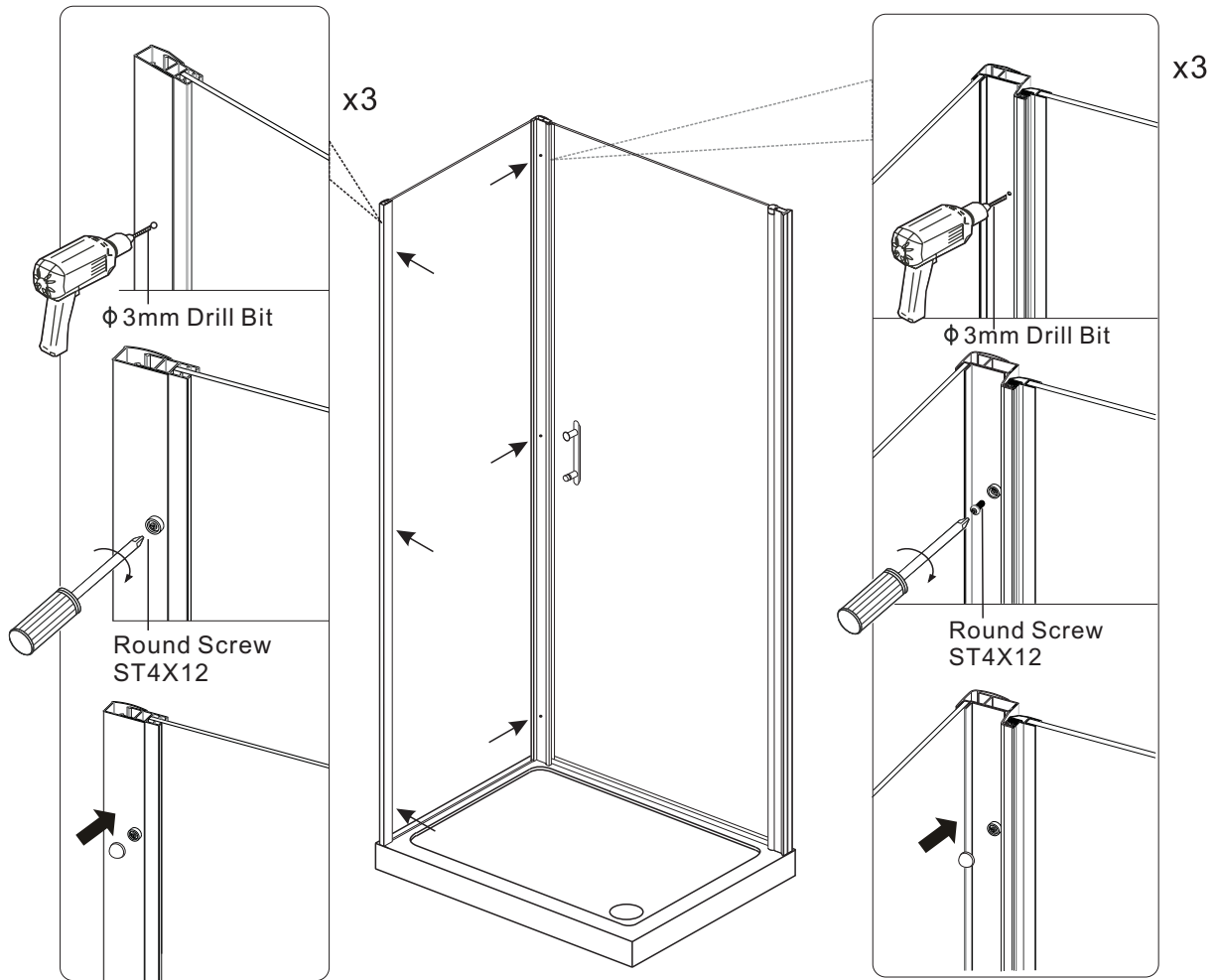
Step 1



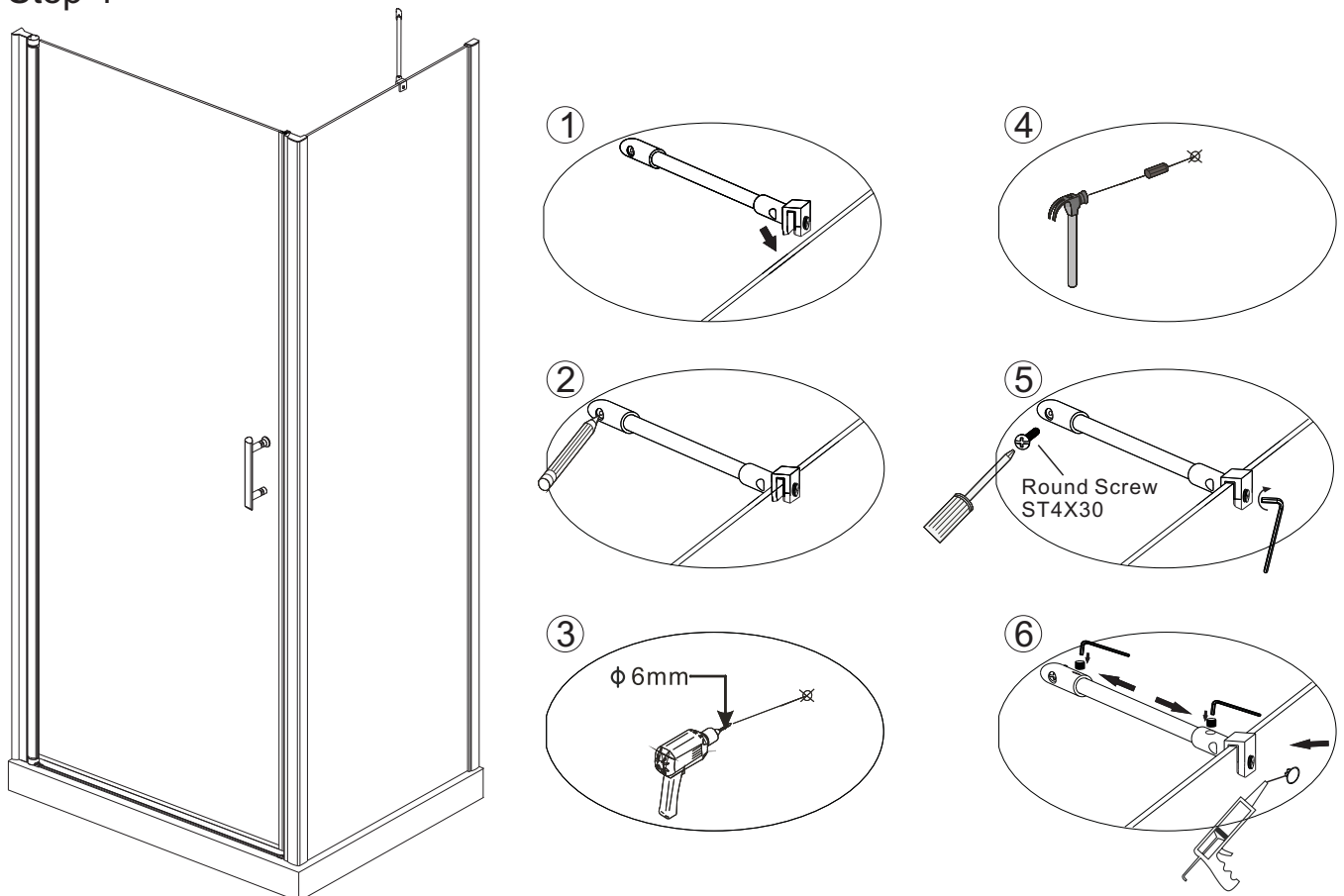
Step 2



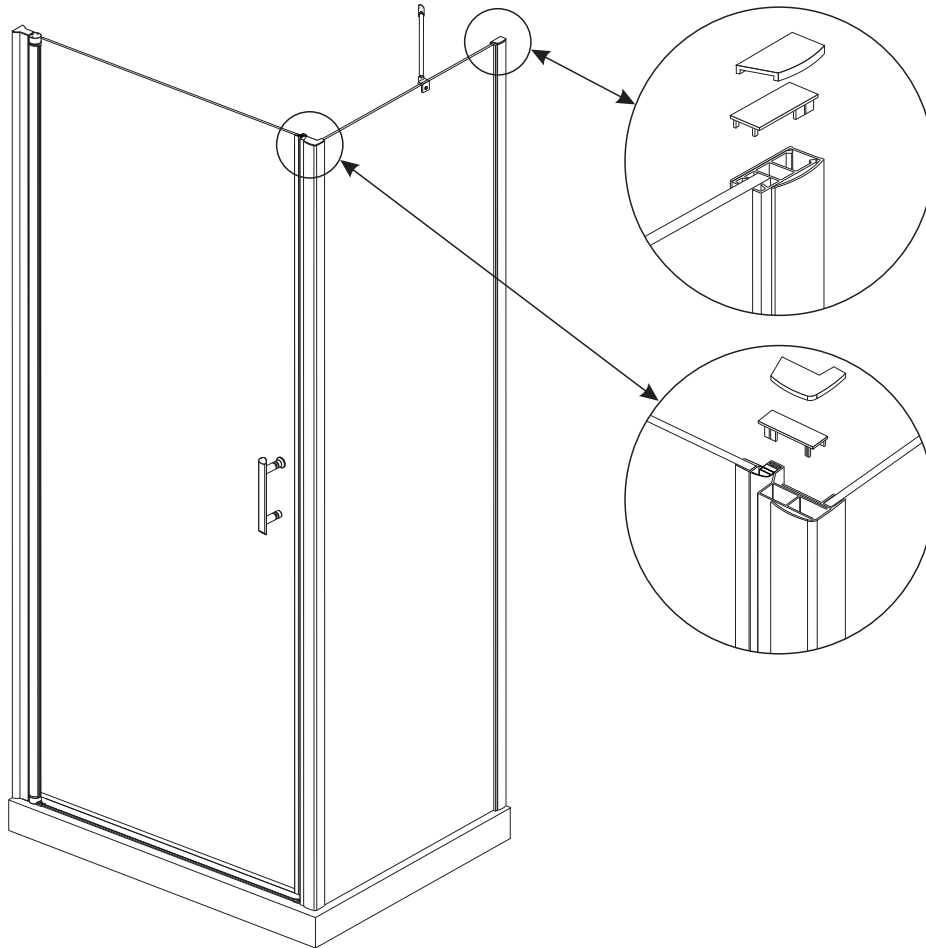
Step 3



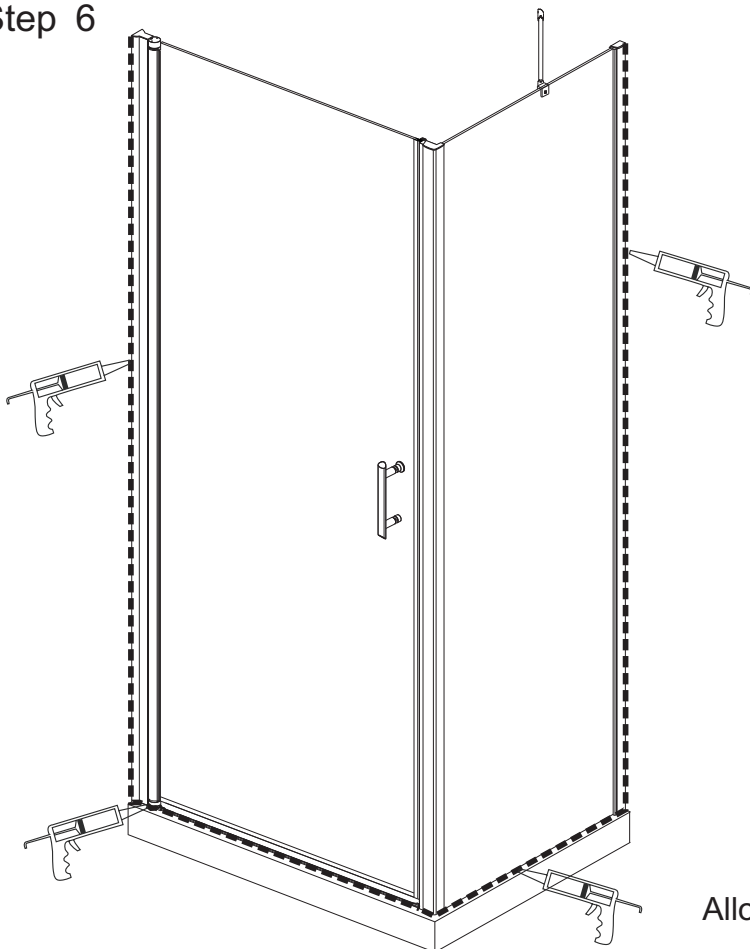
Step 4



Step 5



Step 6



Allow 24 hours for silicone to dry before use.
Silicone on the outside edge only