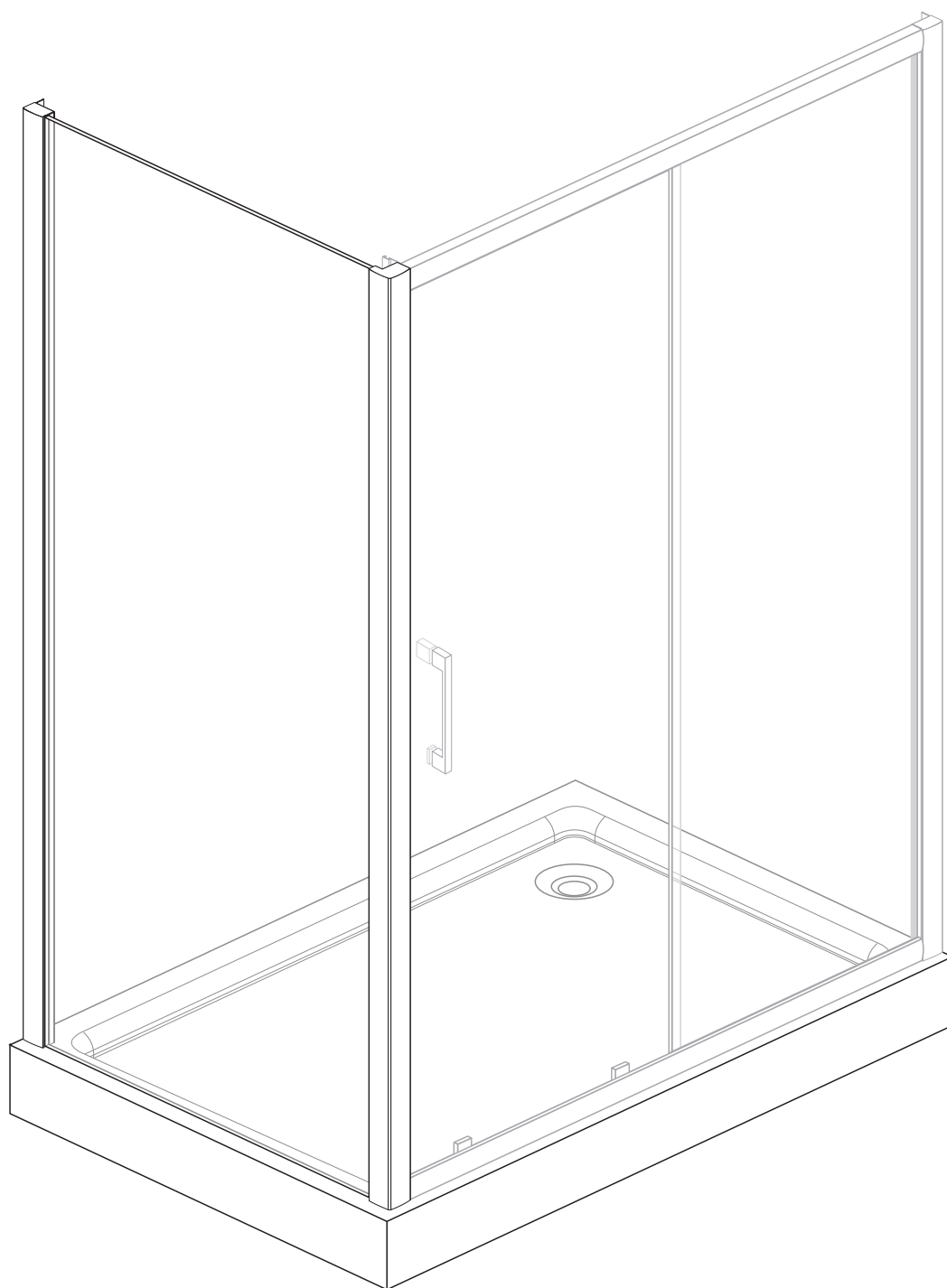
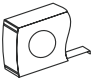


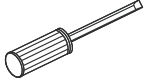
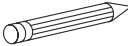
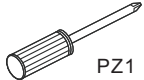

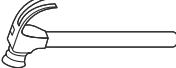




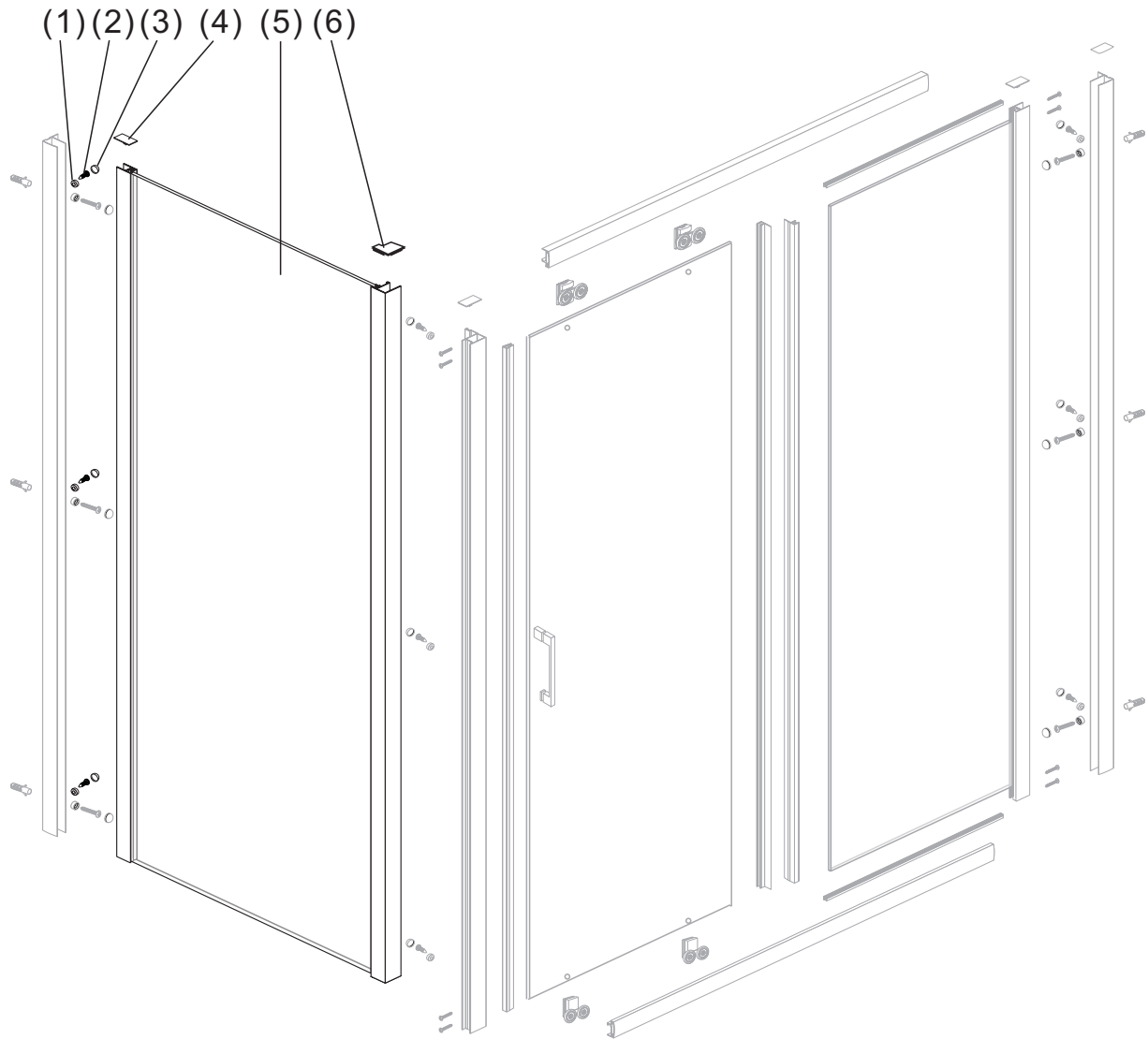
8mm SIDE PANELS



TOOLS REQUIRED

DESCRIPTION	PART IMAGE	DESCRIPTION	PART IMAGE
Tape measure		Drill	
Spirit level		Flat-head Screwdriver	
Pencil		Cross head Screwdriver	 PZ1
Ø6mm Drill bit		Hammer	
Ø3mm Drill bit		Silicone Sealant	

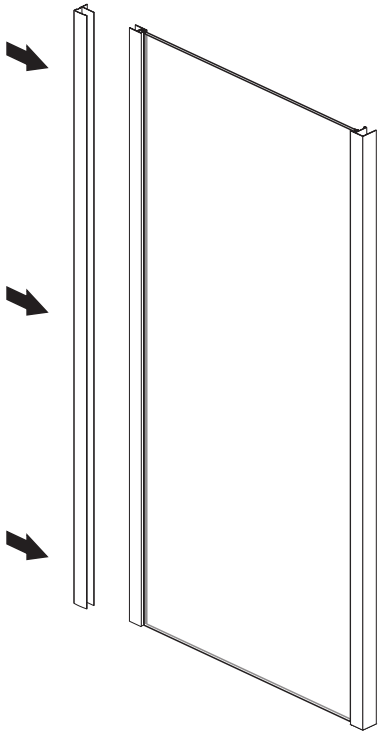
ASSEMBLY INSTRUCTIONS-DRAWING+SIDE PANEL



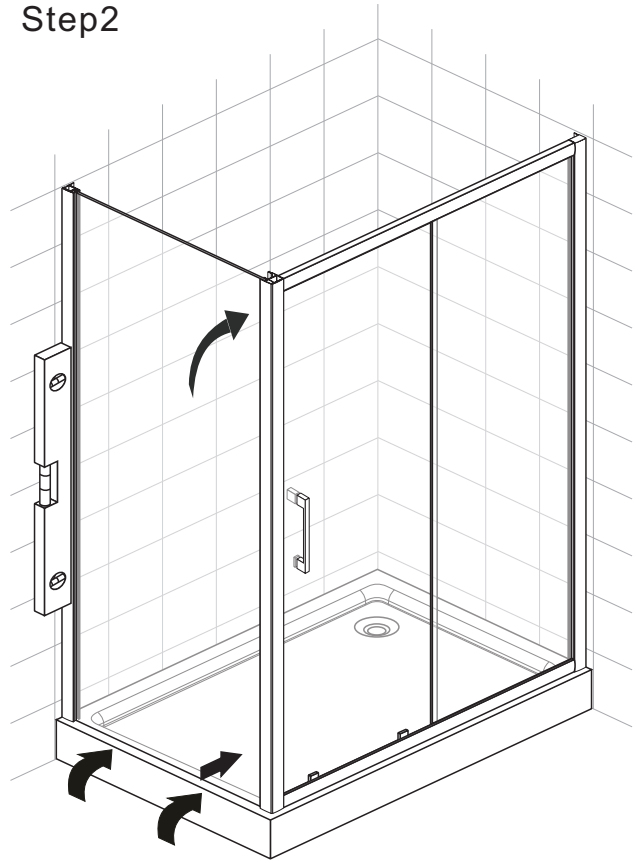
- (1) 3x Screw Cover Caps
- (2) 3x Screws 4x12
- (3) 3x Screw Cover Clips
- (4) 1x Upright Profile Cover Caps
- (5) 1x Side Panel
- (6) 2x Corner Post Cover Cap L&R

ASSEMBLY INSTRUCTIONS

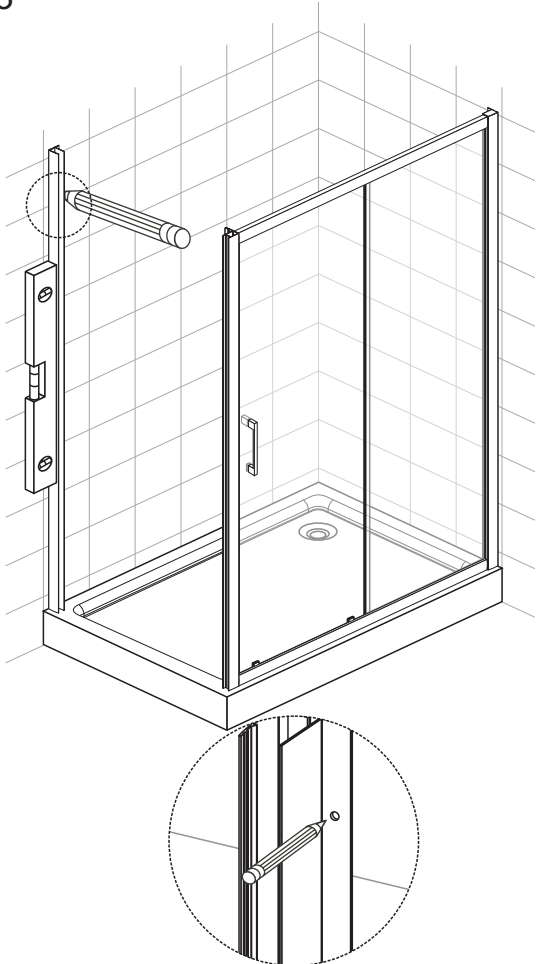
Step1



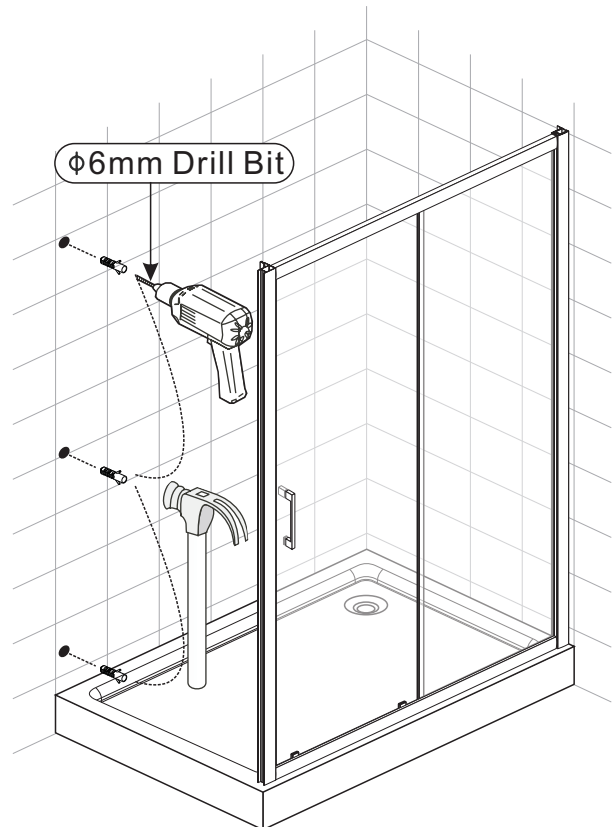
Step2



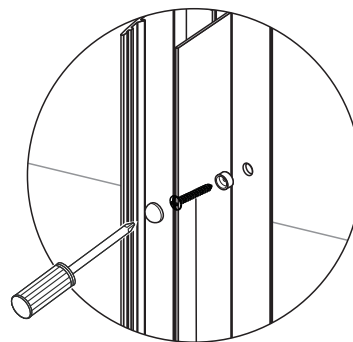
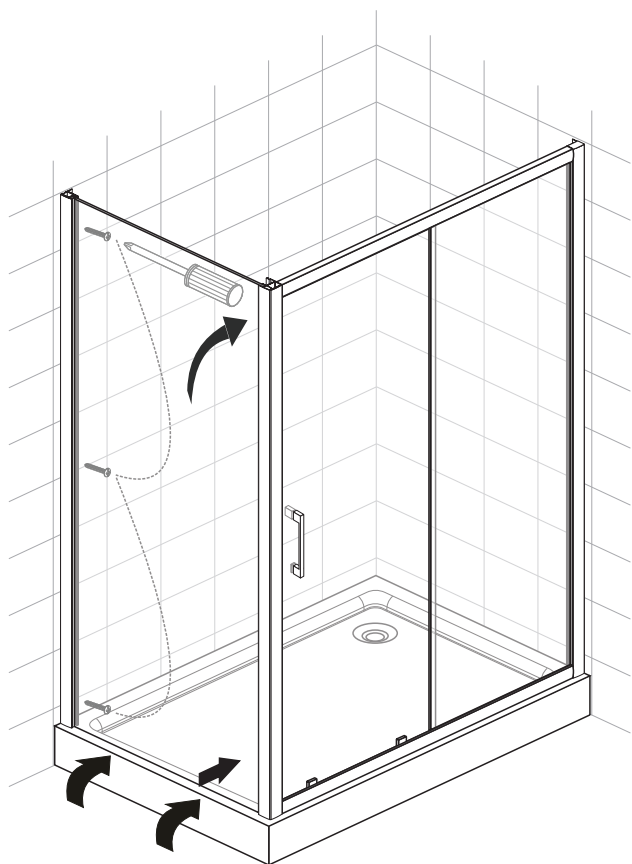
Step3



Step4

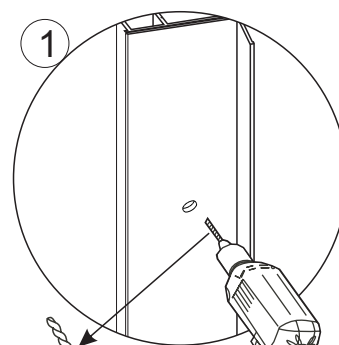
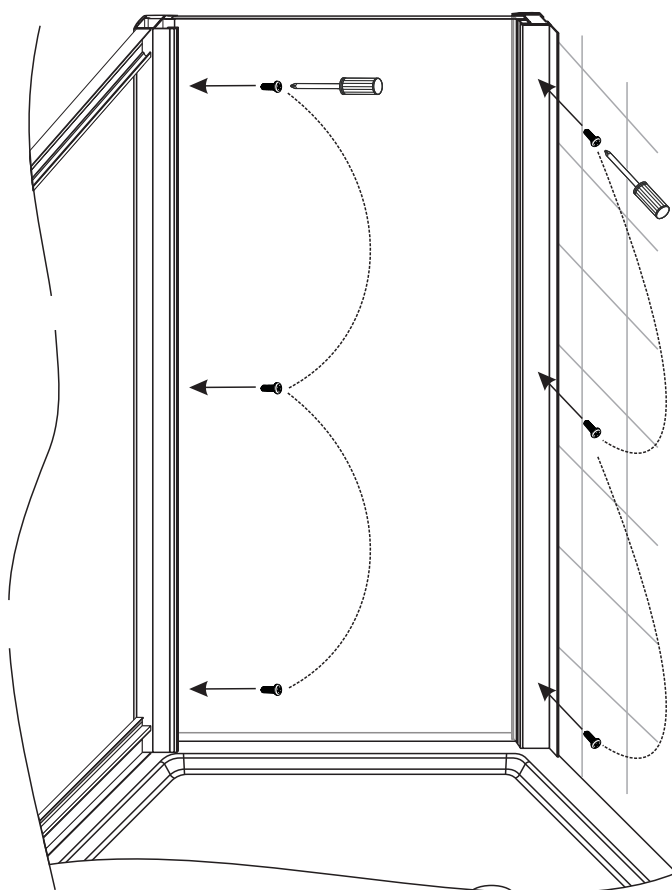


Step5

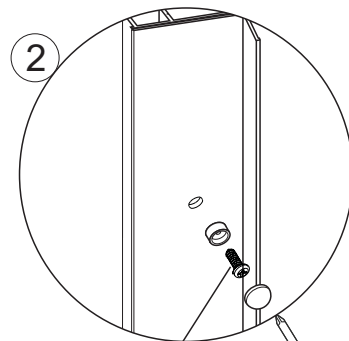


Round Screw
ST4X30

Step6

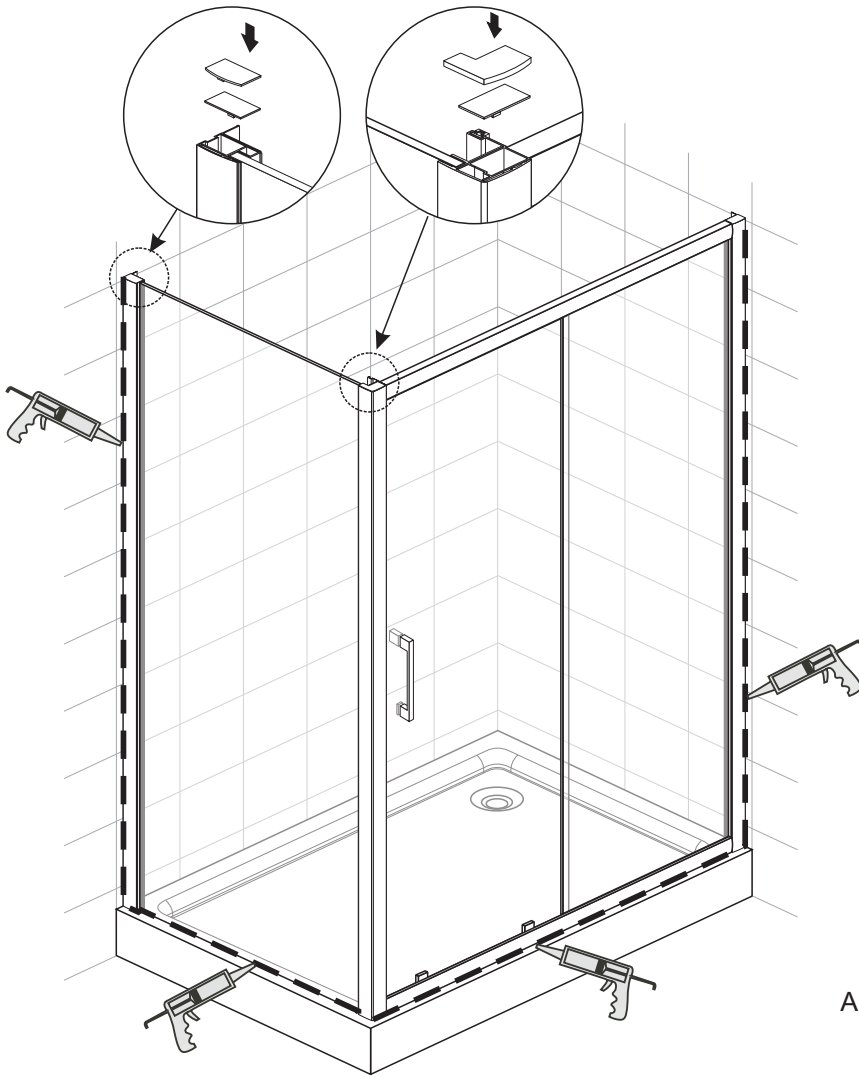


φ3mm Drill Bit



Round Screw
ST4X12

Step7



Allow 24 hours for silicone to dry before use.
Silicone on the outside edge only