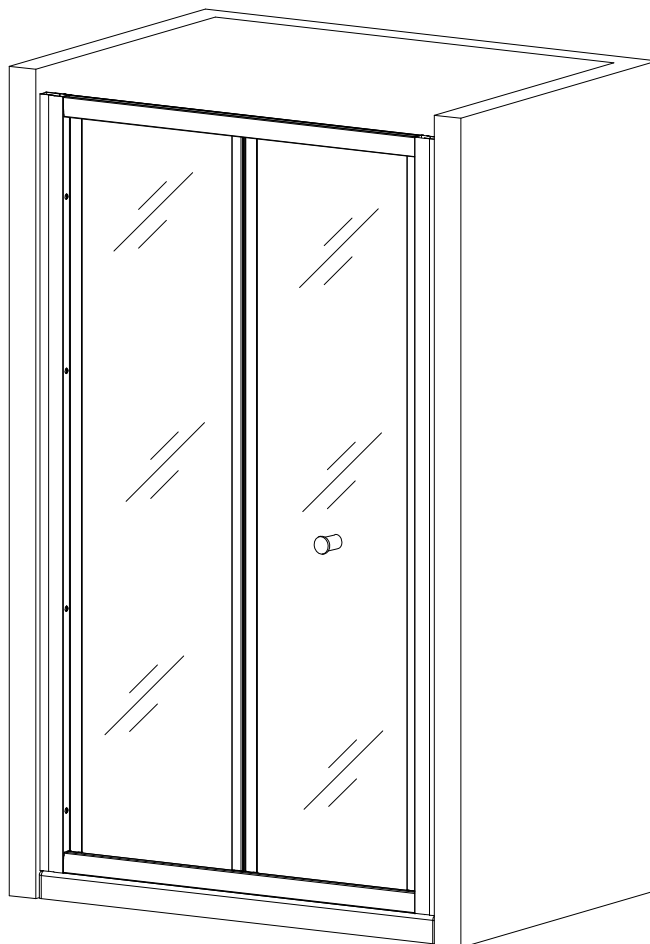


BF Series



BI-FOLD SHOWER DOOR:

Please scan the QR code to get the installation video.

If the QR code is invalid, please search for the title in Youtube
ELEGANT Bi-fold Shower Enclosure DIY Installment Video (BF)

⚠ Replace the part(24) , Please refer to step 5



◆ General information

Please inspect the product immediately upon receipt for transit damage, missing packs/parts or manufacturing fault. Damage reported later cannot be accepted. Please handle the product with care avoiding knocks and shock loading to all sides and edges of the glass.



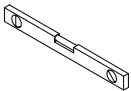
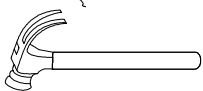
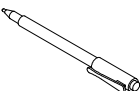
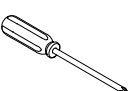
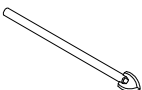

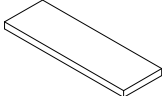
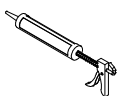
Note: Safety glass can not be re-worked.

- Please read these instructions carefully before start of installation.
- Special care should be taken when drilling walls to avoid hidden pipes or electrical cables.
- Note: this product is heavy and required two persons install.

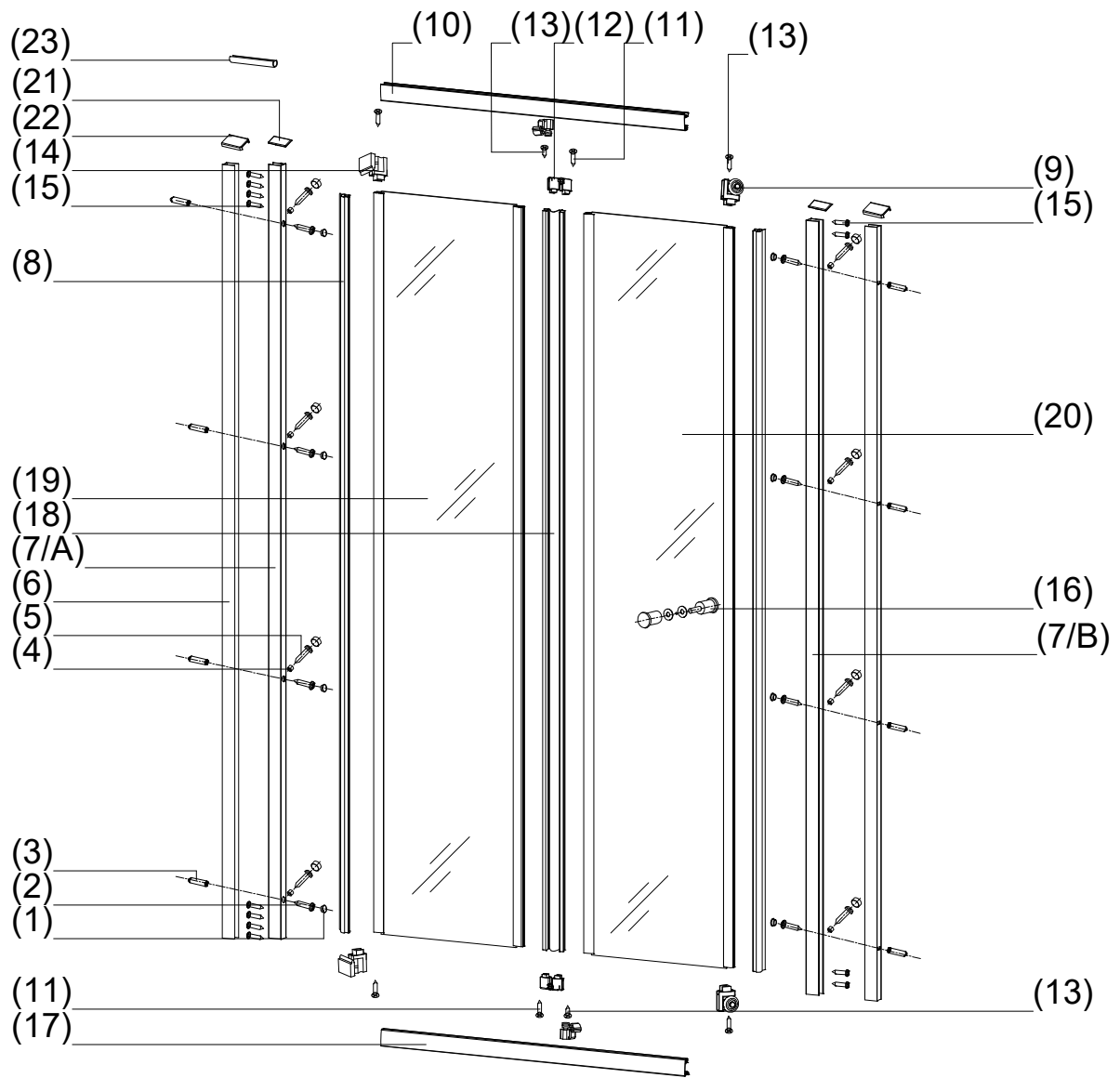
Aftercare instructions

- After use, your shower should be cleaned with soap and water. This is particularly important in hard water districts where insoluble lime salts may be deposited and allowed to build up.
- Cleaners of gritty or abrasive nature should not be used. Care should be taken to avoid contact with strong chemicals such as organic solvents and strippers.
- Glass cleaners can be used but with caution, if in doubt contact the manufacturer of the cleaner in question.
- Please keep these instructions for aftercare and customer service details.

TOOLS REQUIRED

DESCRIPTION	PART IMAGE	DESCRIPTION	PART IMAGE
Tape measure		Drill	
Spirit level		Hammer	
Pencil		Cross head Screwdriver	
Ø6/3.2mm Drill bit		Inner hexagon Spanner	
20mm Thick board		Silicone Sealant	

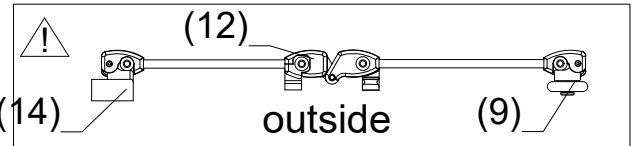
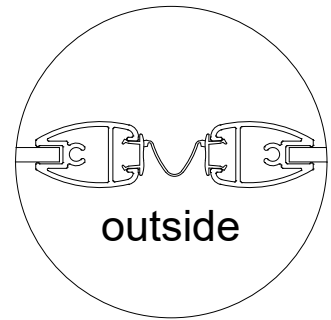
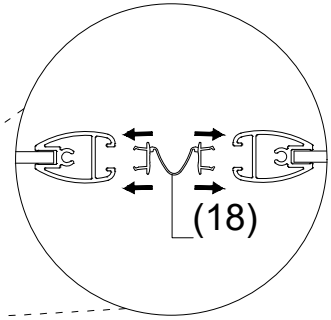
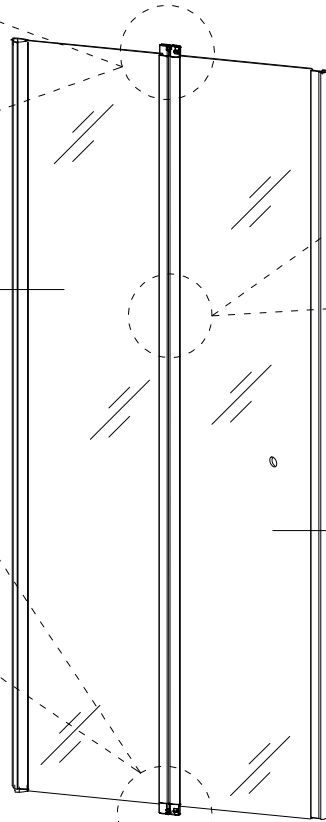
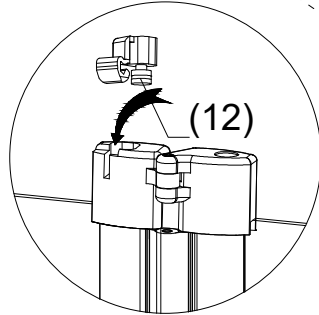
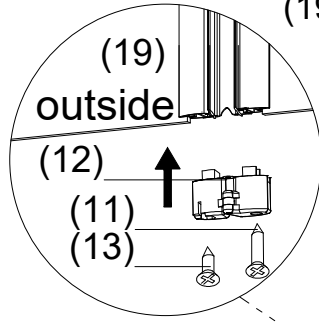
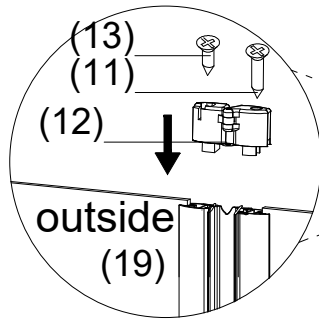
ASSEMBLY INSTRUCTIONS-DRAWING



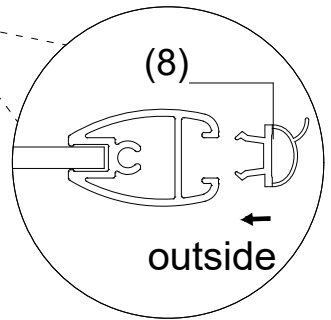
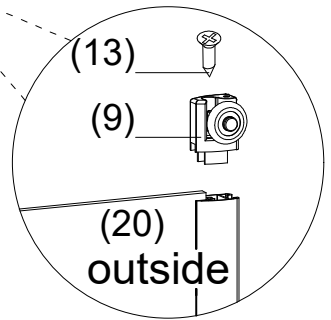
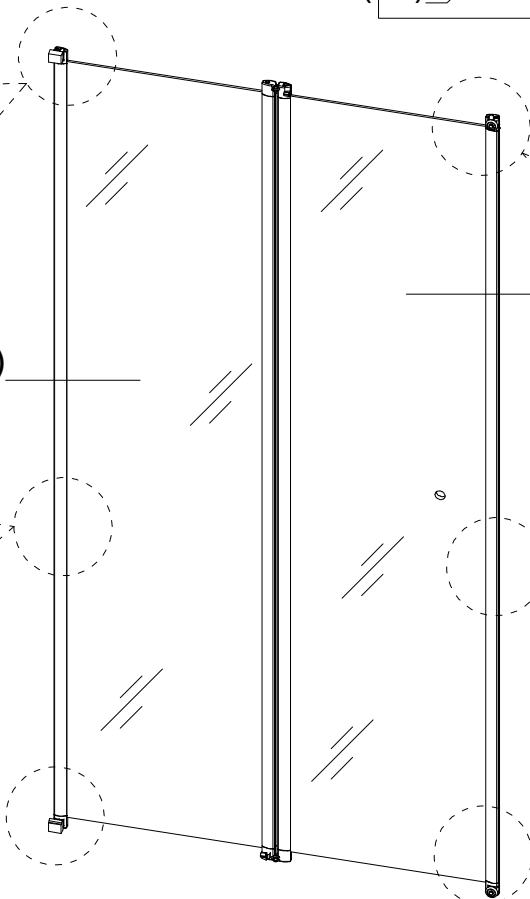
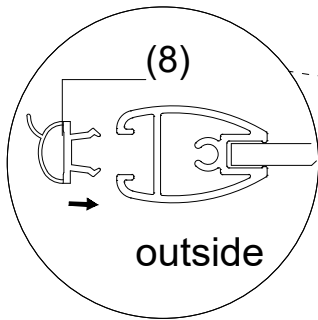
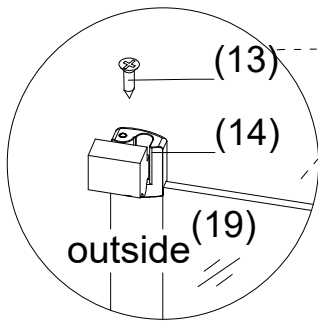
NO.	Description	QTY	Diagram
1	Decorative cover	8	
2	Half-round head screws (3.9x30)	8	
3	Wall anchor	8	
4	Screw cover cap	8	
5	Rund head screws(3.9x10)	8	
6	Wall profile	2	
7/A	Wall profile	1	
7/B	Wall profile	1	
8	Water retaining rubber strip	2	
9	Pulley block	2	
10	Pulley guide(up)	1	
11	Flat head screws(3.9x55)	2	
12	Connection components	2	

NO.	Description	QTY	Diagram
13	Flat head screws(3.9x30)	6	
14	Fixed slider assembly	2	
15	Rund head screws (3.9x20)	12	
16	Handle	1	
17	Pulley guide(down)	1	
18	Folding rubber strip	1	
19	Movable glass	1	
20	Movable glass (for door handle)	1	
21	Decorative cover	2	
22	Decorative cover	2	
23	Plastic pipe	1	
24	Two extra spare parts	2	

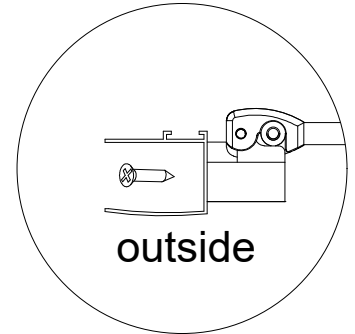
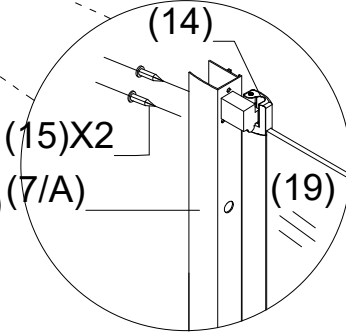
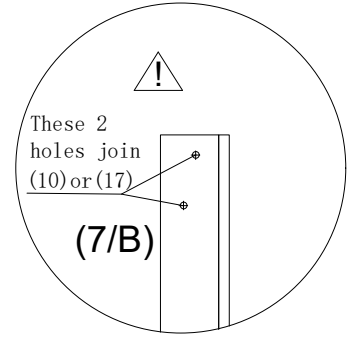
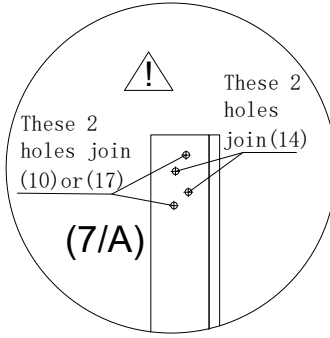
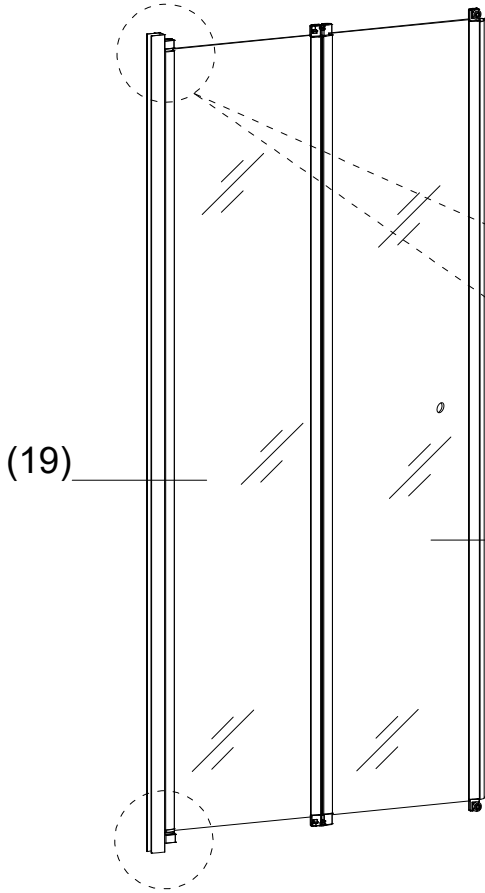
Step 1



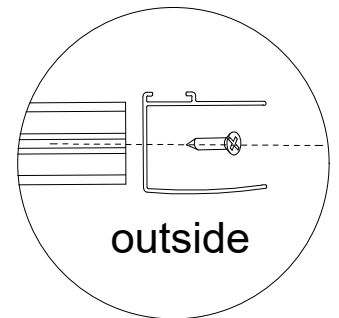
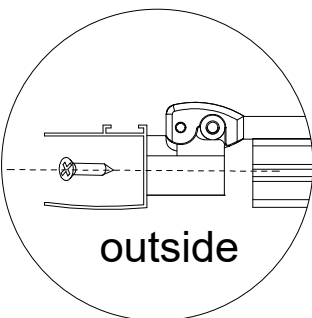
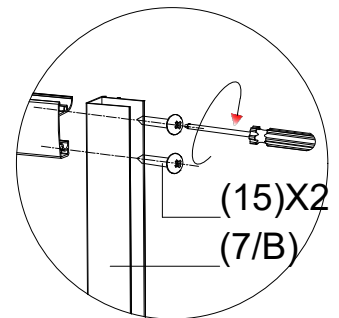
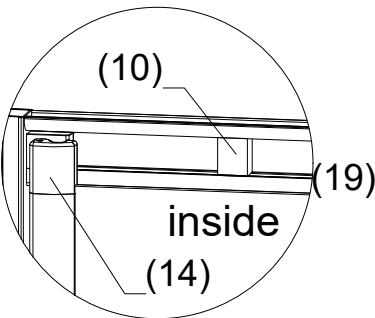
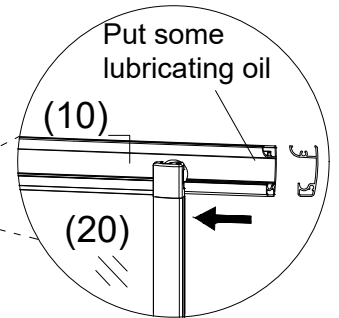
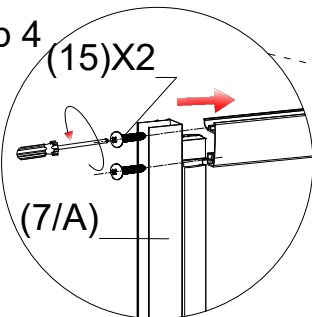
Step 2



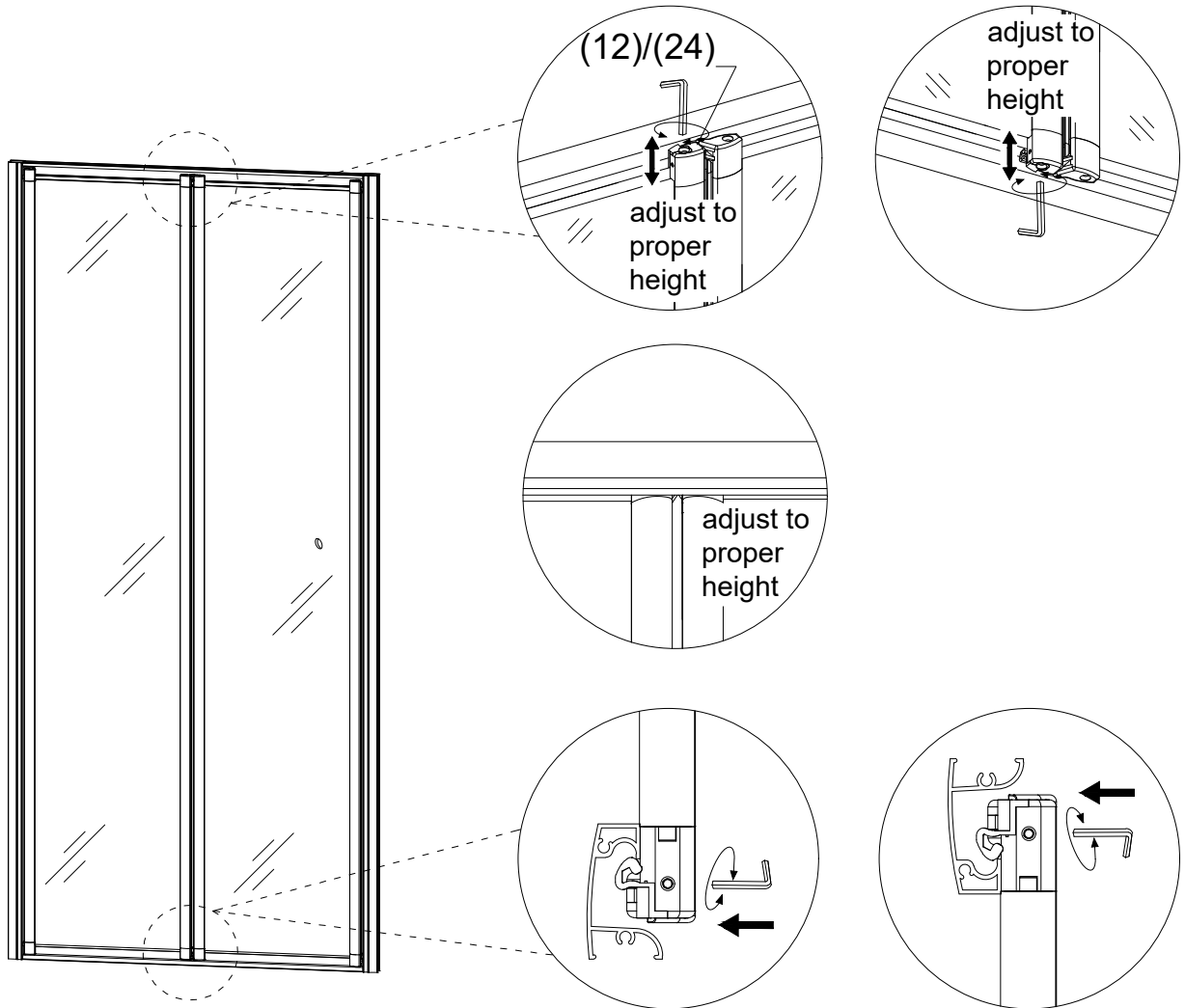
Step 3



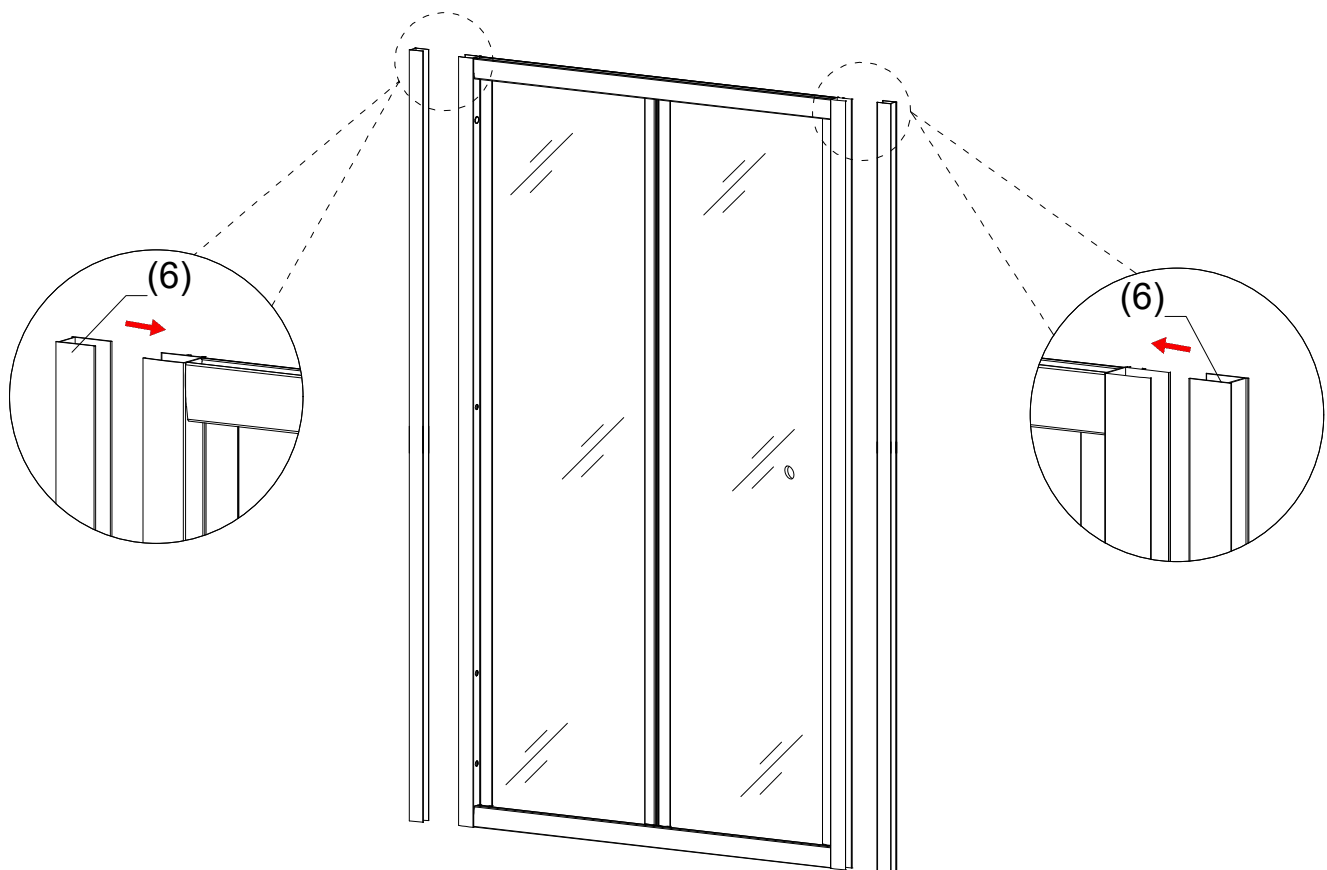
Step 4



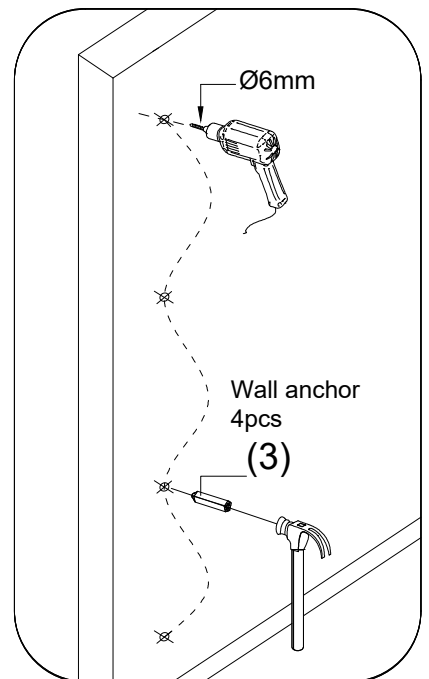
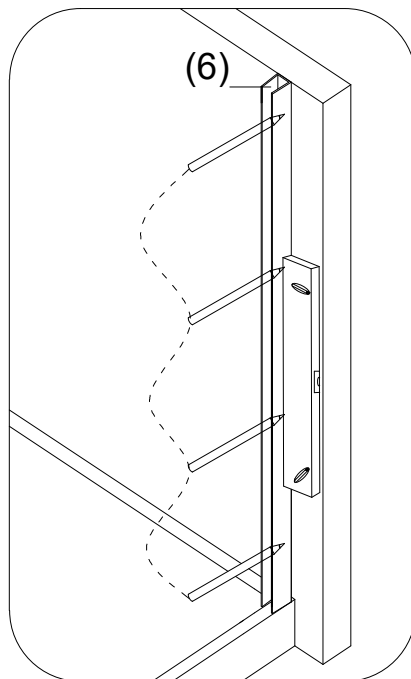
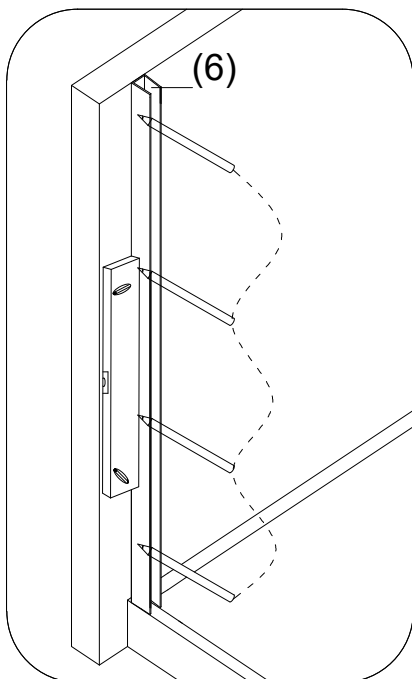
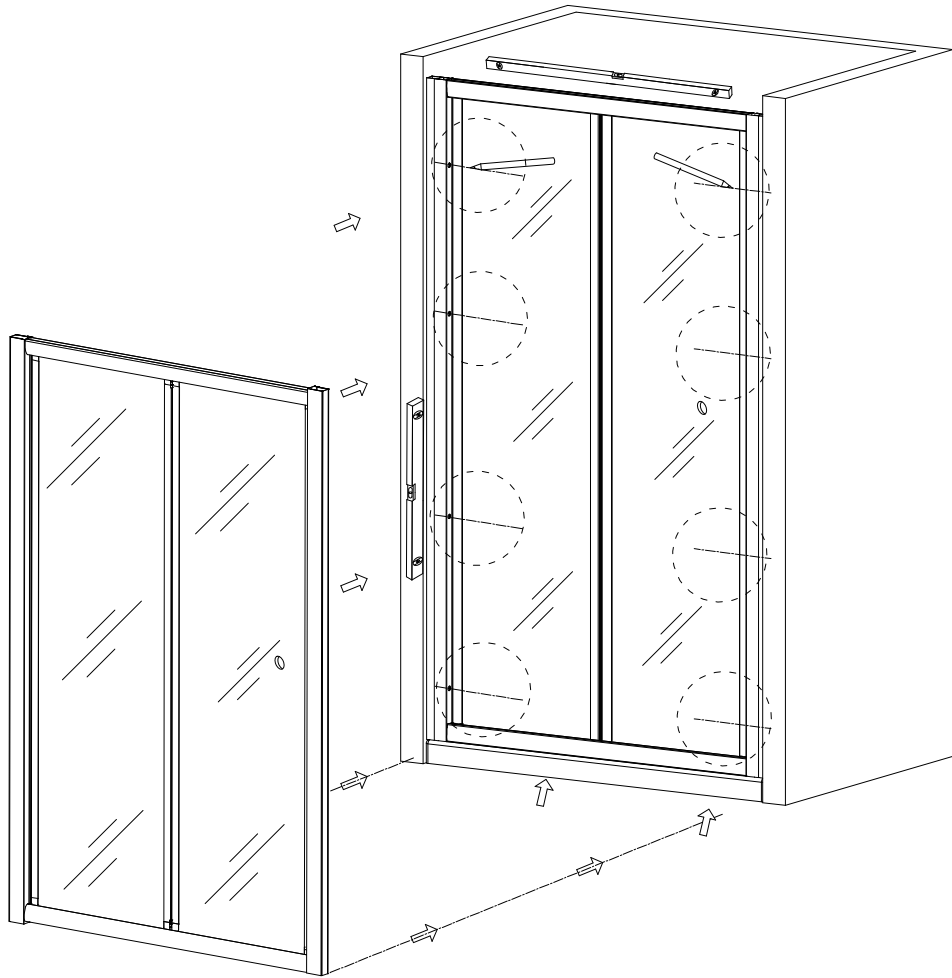
Step 5



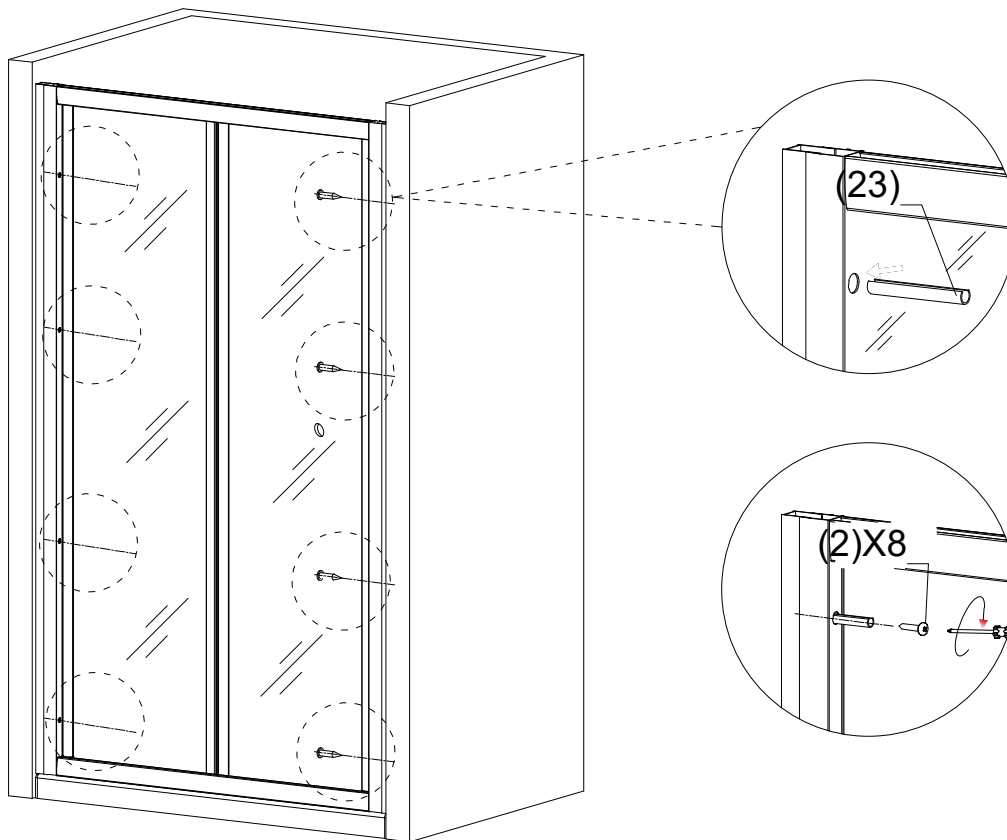
Step 6



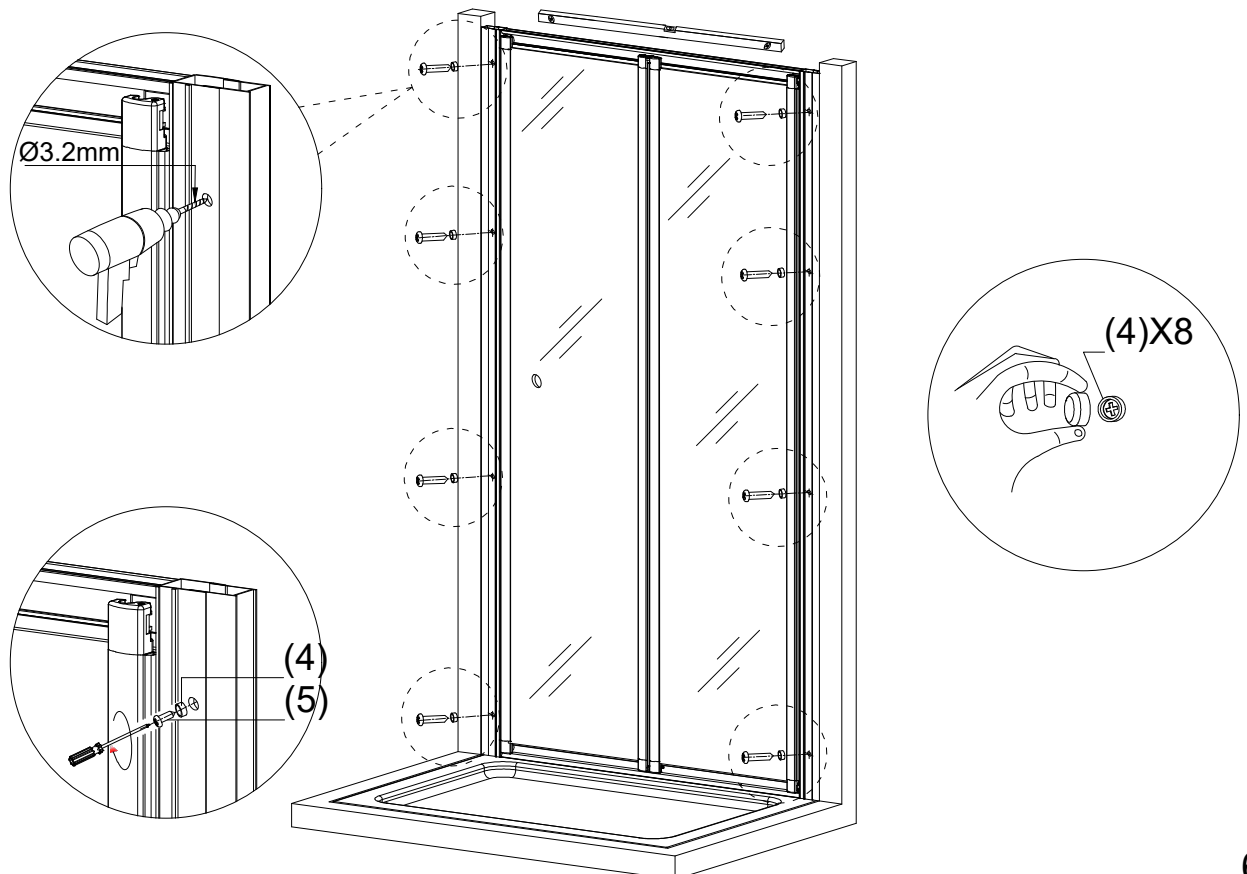
Step 7



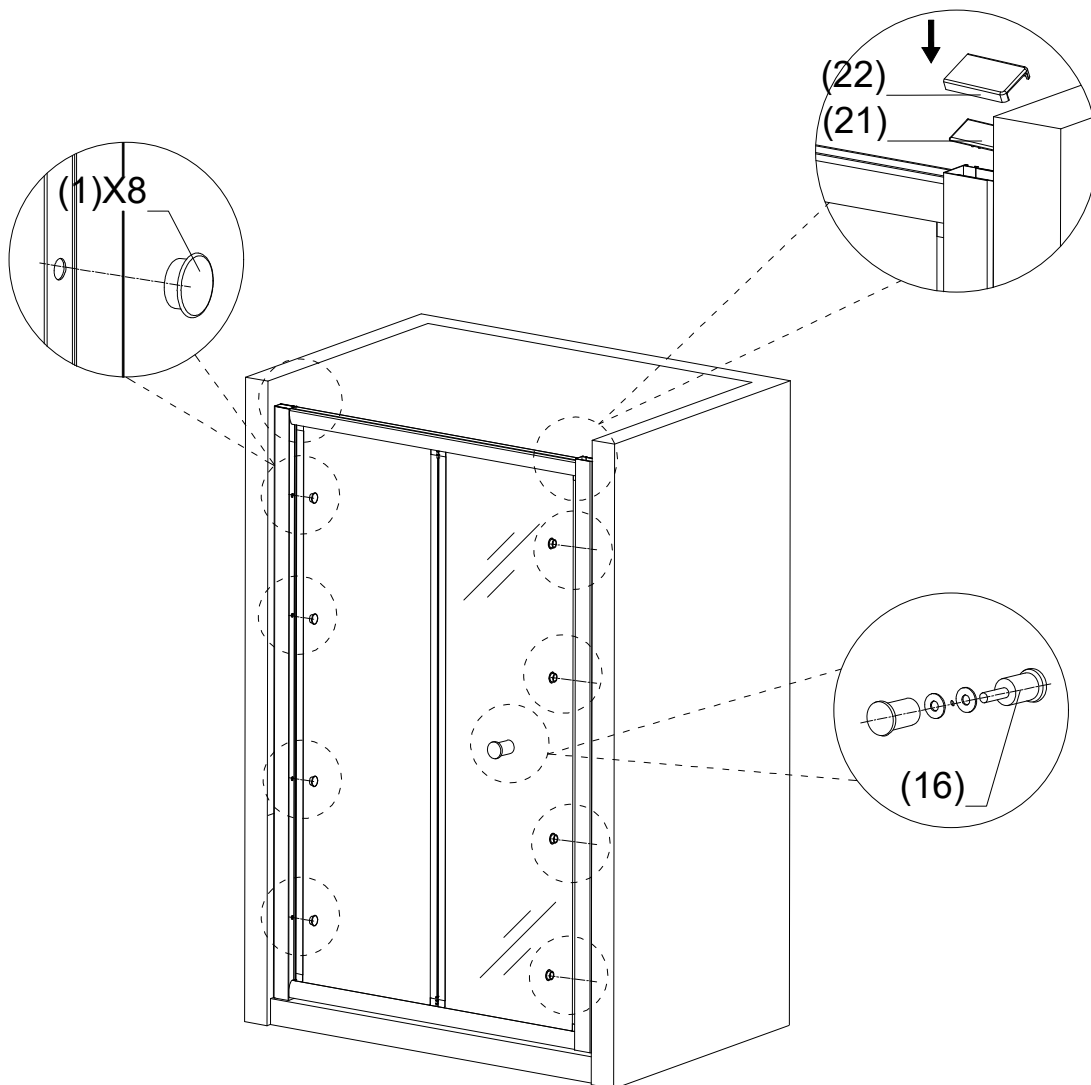
Step 8



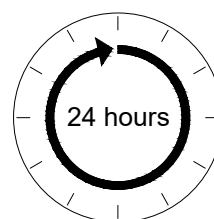
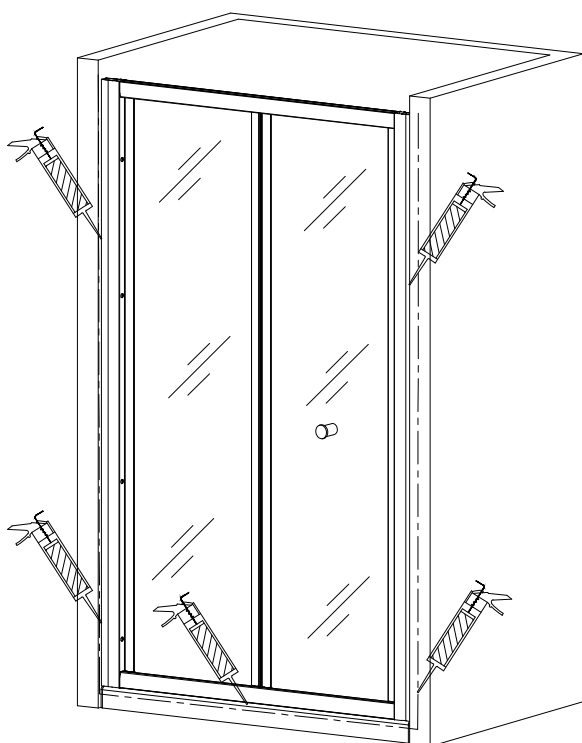
Step 9



Step 10

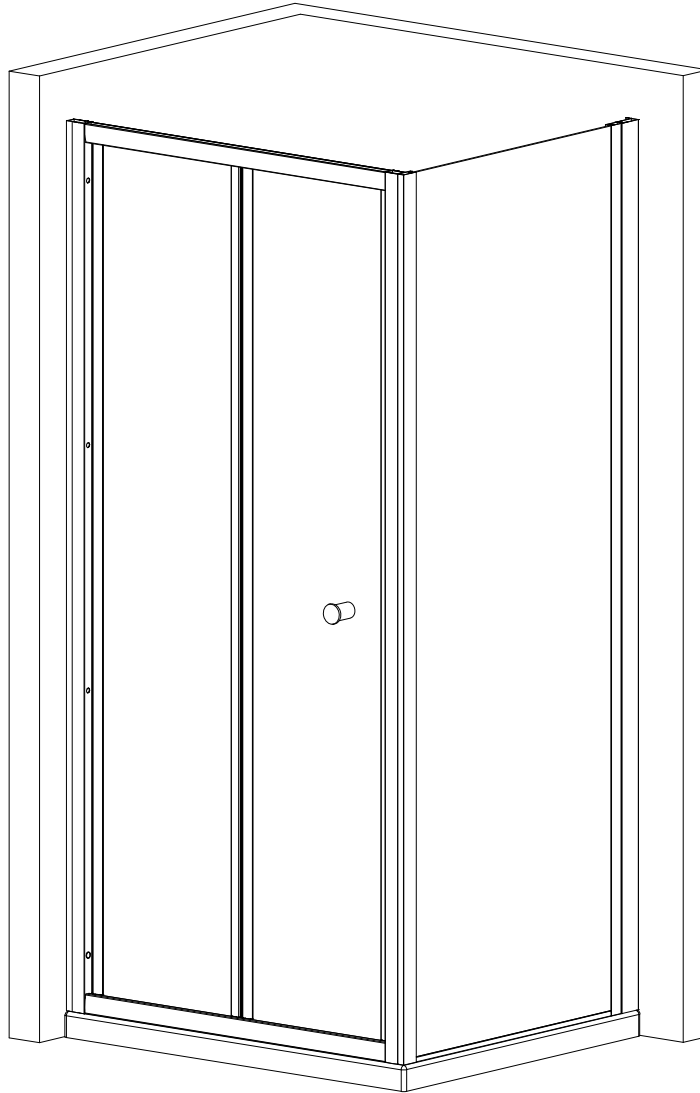


Step 11



Allow 24 hours for silicone to dry before use.
Silicone on the outside edge only

BF Series+Side panel



BI-FOLD SHOWER DOOR with SIDE PANEL:

Please scan the QR code to get the installation video.

If the QR code is invalid, please search for the title in Youtube

ELEGANT Bi-fold Shower Enclosure with Side Panel Installment Video (BF+SP)

⚠ Replace the part(30), Please refer to step 5



◆ General information

Please inspect the product immediately upon receipt for transit damage, missing packs/parts or manufacturing fault. Damage reported later cannot be accepted. Please handle the product with care avoiding knocks and shock loading to all sides and edges of the glass.



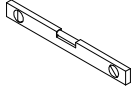
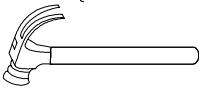
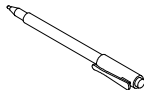
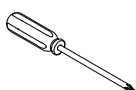
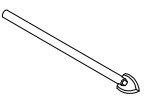

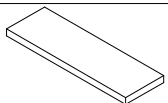
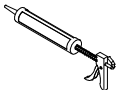
Note: Safety glass can not be re-worked.

- Please read these instructions carefully before start of installation.
- Special care should be taken when drilling walls to avoid hidden pipes or electrical cables.
- Note: this product is heavy and required two persons install.

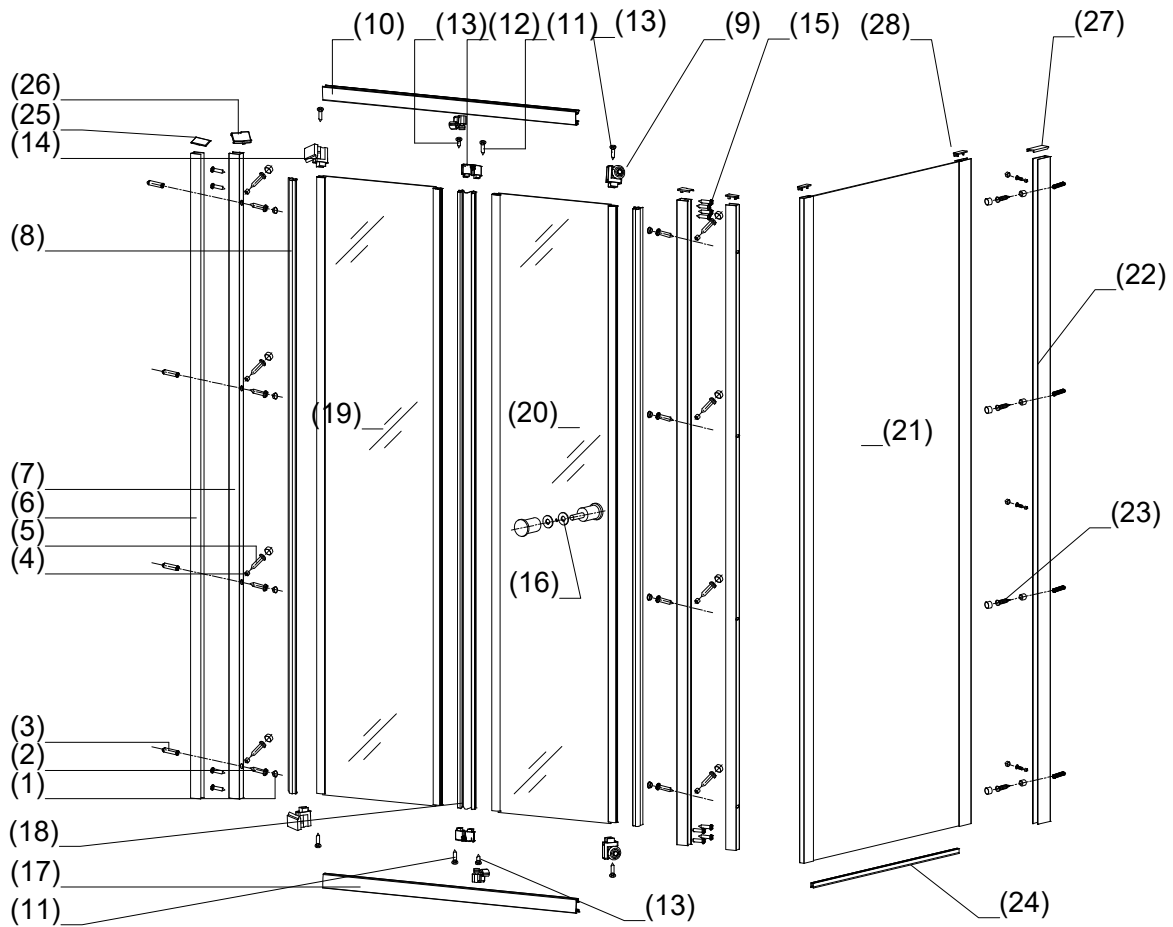
Aftercare instructions

- After use, your shower should be cleaned with soap and water. This is particularly important in hard water districts where insoluble lime salts may be deposited and allowed to build up.
- Cleaners of gritty or abrasive nature should not be used. Care should be taken to avoid contact with strong chemicals such as organic solvents and strippers.
- Glass cleaners can be used but with caution, if in doubt contact the manufacturer of the cleaner in question.
- Please keep these instructions for aftercare and customer service details.

TOOLS REQUIRED

DESCRIPTION	PART IMAGE	DESCRIPTION	PART IMAGE
Tape measure		Drill	
Spirit level		Hammer	
Pencil		Cross head Screwdriver	
Ø6/3.2mm Drill bit		Inner hexagon Spanner	
20mm Thick board		Silicone Sealant	

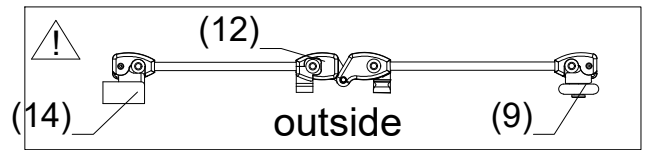
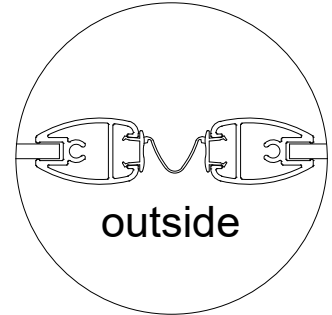
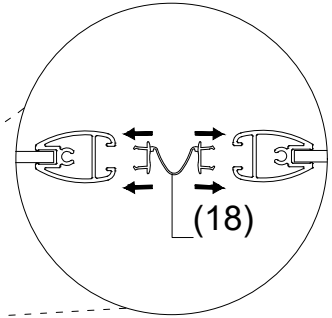
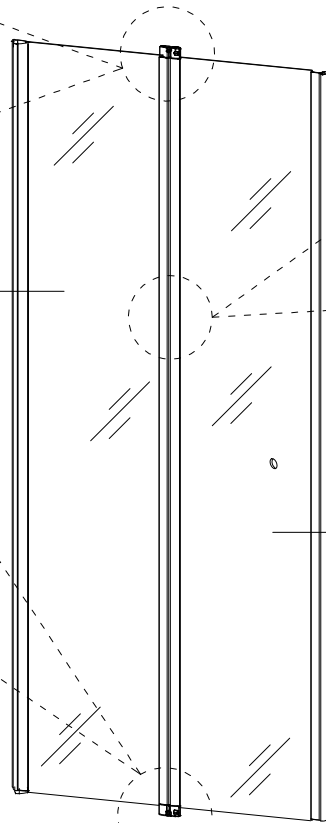
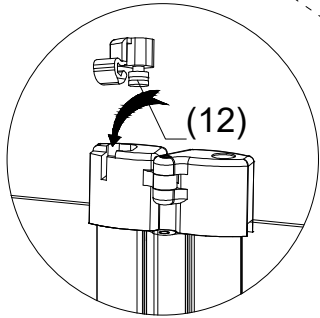
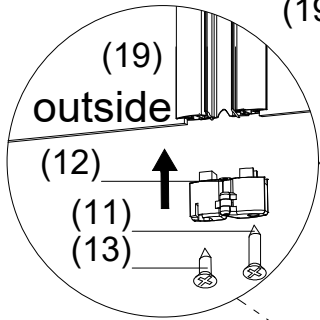
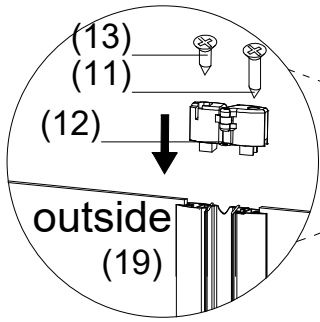
ASSEMBLY INSTRUCTIONS-DRAWING



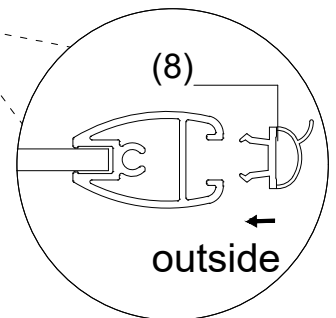
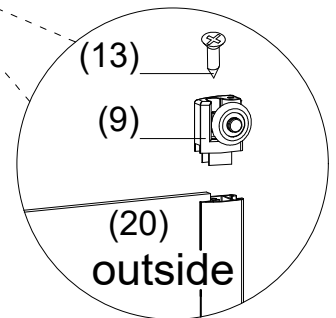
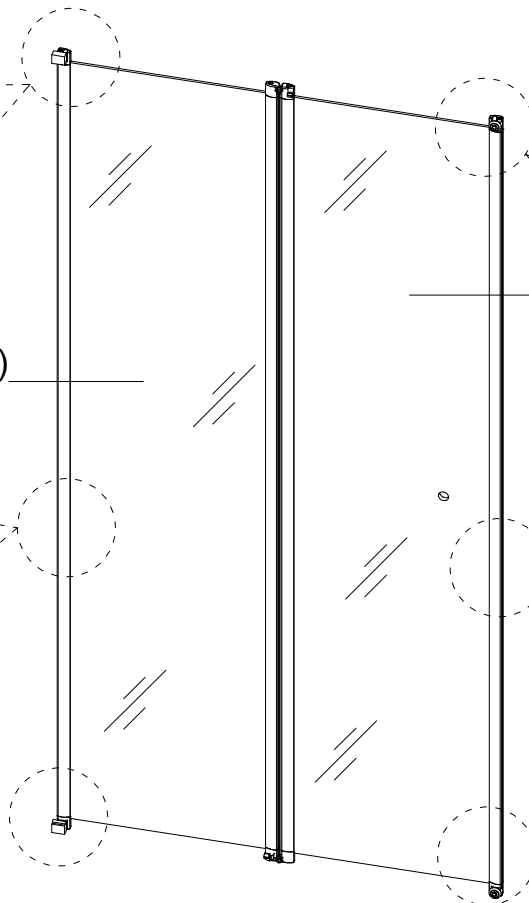
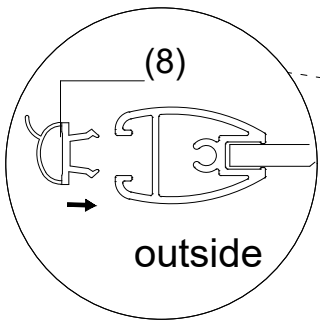
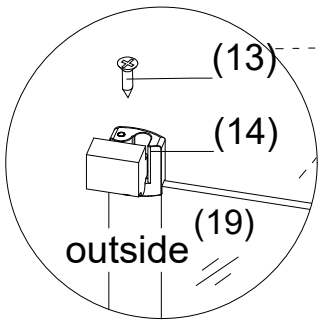
NO.	Description	QTY	Diagram
1	Decorative cover	8	
2	Half round head screws (3.9x30)	8	
3	Wall anchor	8	
4	Screw cover cap	15	
5	Rund head screws(3.9x10)	15	
6	Wall profile	2	
7/A	Wall profile	1	
7/B	Wall profile	1	
8	Water retaining rubber strip	2	
9	Pulley block	2	
10	Pulley guide(up)	1	
11	Flat head screws (3.9X55)	2	
12	Connection components	2	
13	Flat head screws(3.9x30)	6	
14	Fixed slider assembly	2	

NO.	Description	QTY	Diagram
15	Round head screws (3.9x20)	12	
16	Handle	1	
17	Pulley guide(down)	1	
18	Folding rubber strip	1	
19	Movable glass	1	
20	Movable glass (for door handle)	1	
21	Fixed glass	1	
22	Wall profile	1	
23	Round head screws(3.9x30)	4	
24	Adhesive tape	1	
25	Decorative cover	2	
26	Decorative cover	2	
27	Decorative cover	1	
28	Decorative cover	2	
29	Plastic pipe	1	
30	Two extra spare parts	2	

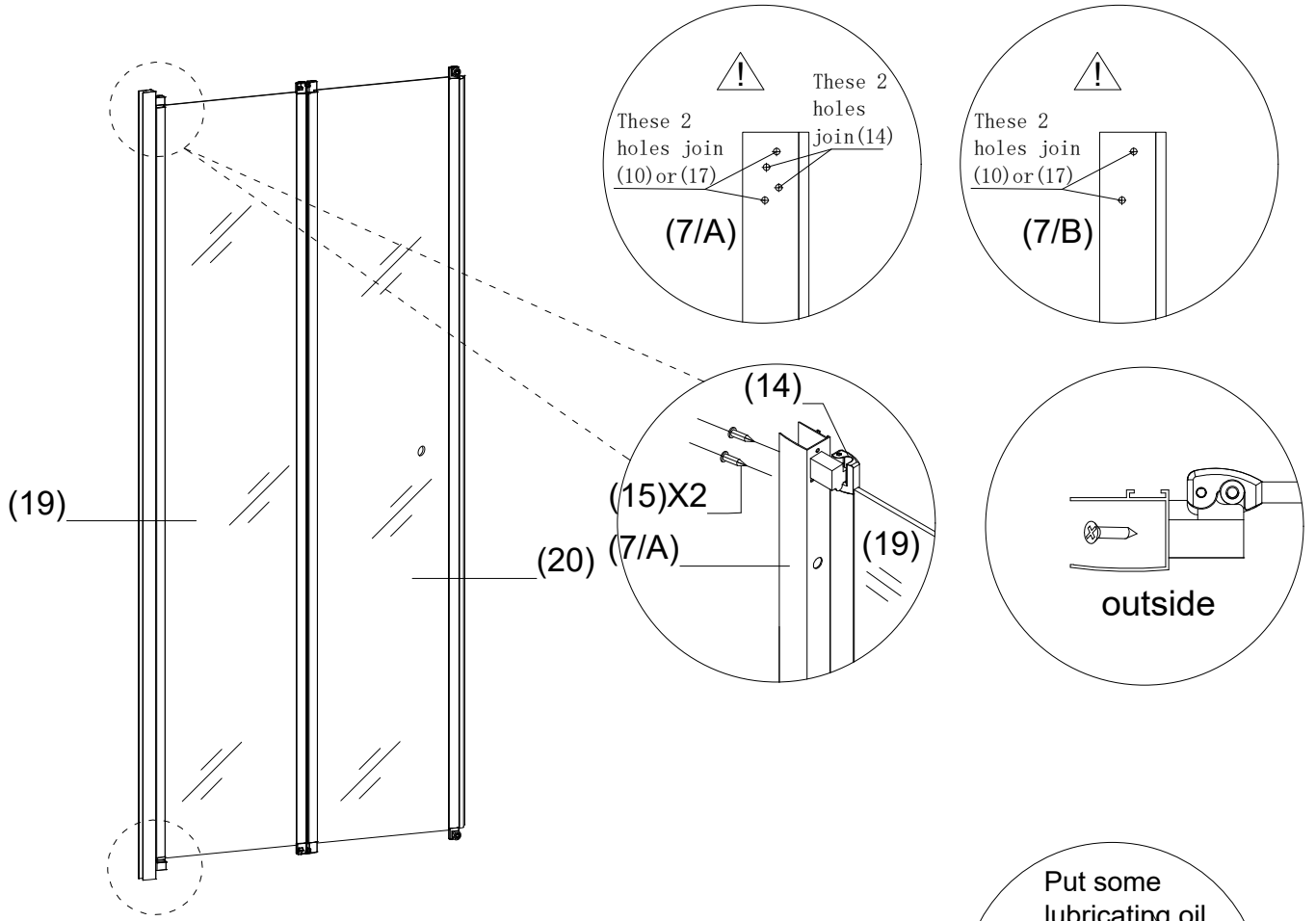
Step 1



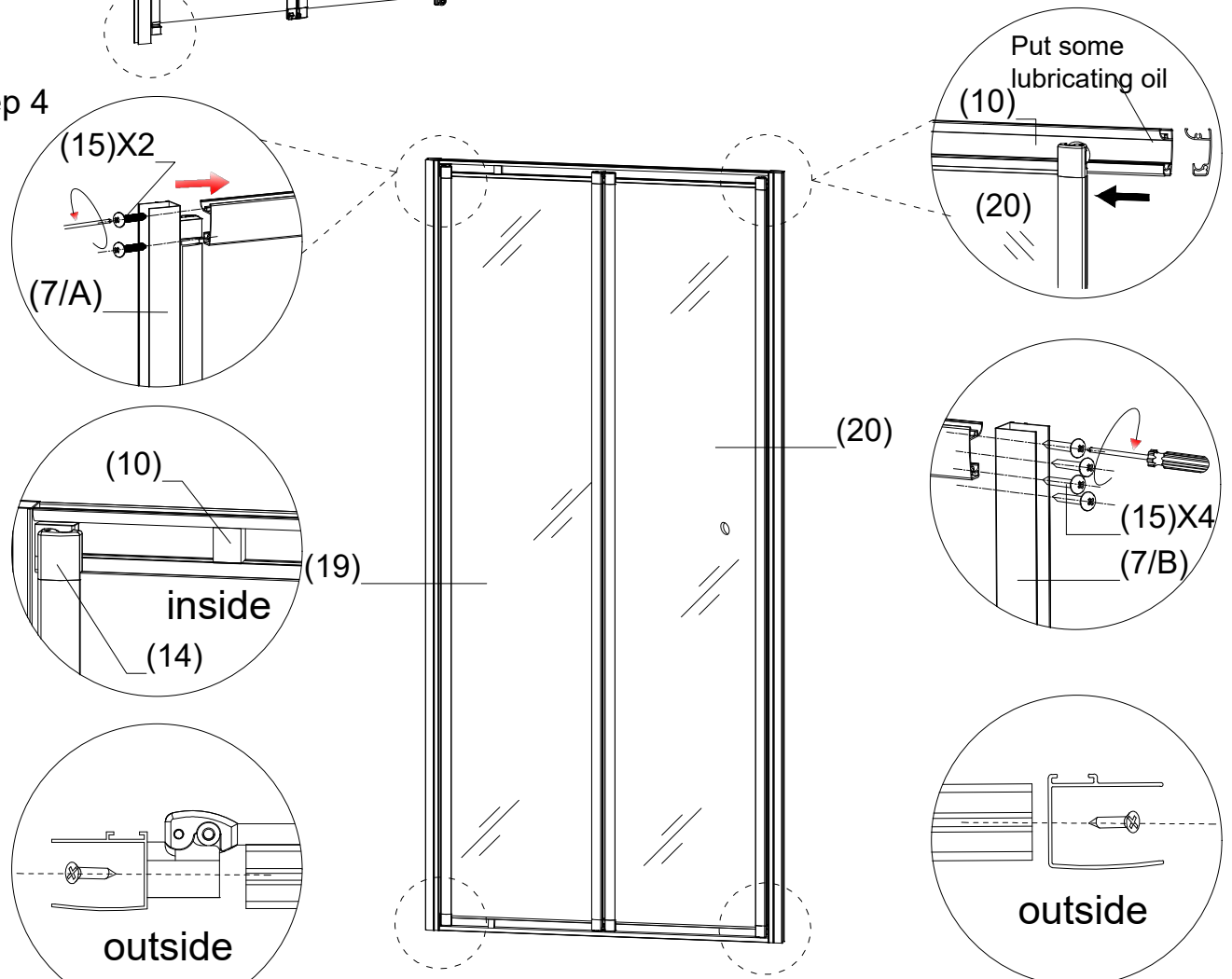
Step 2



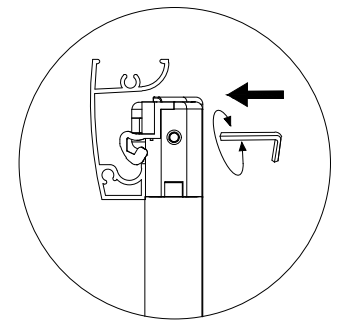
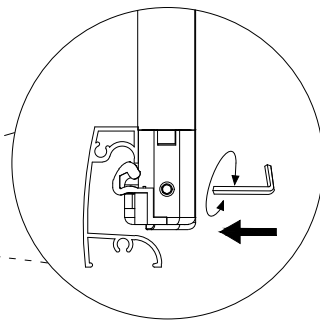
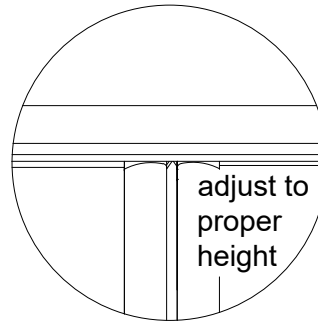
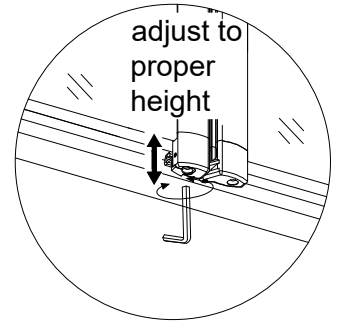
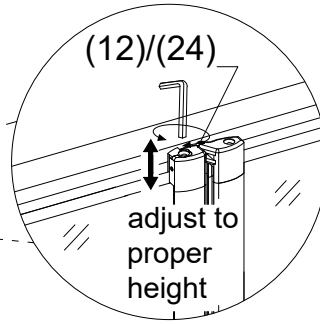
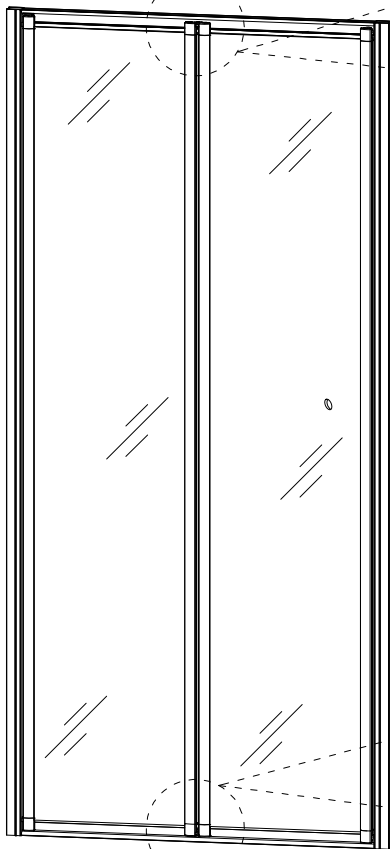
Step 3



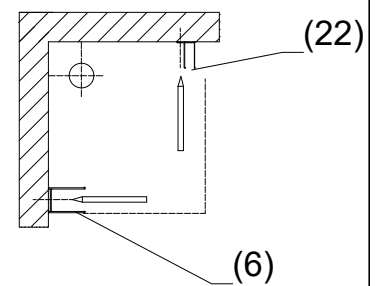
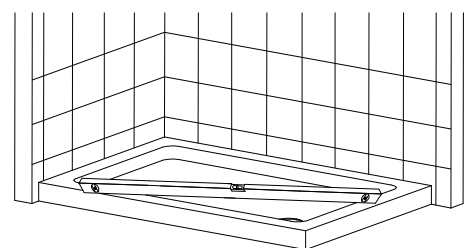
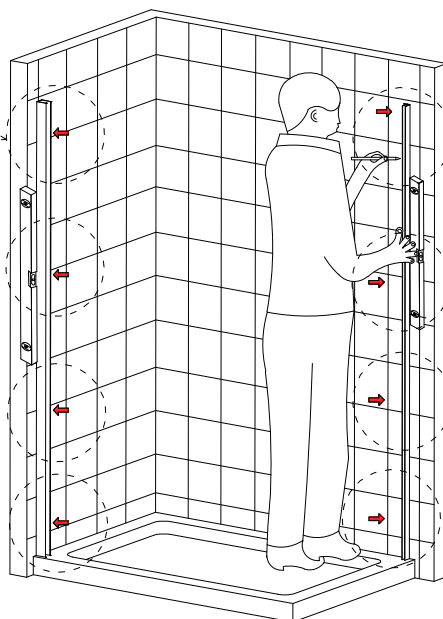
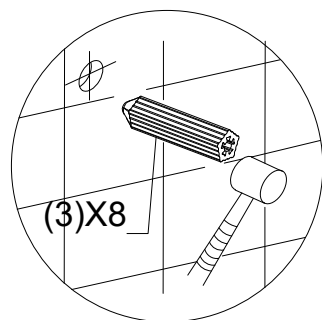
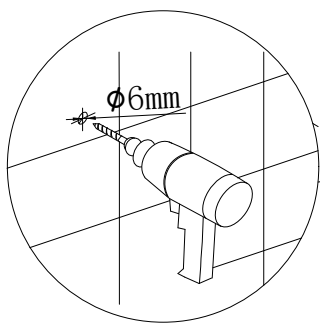
Step 4



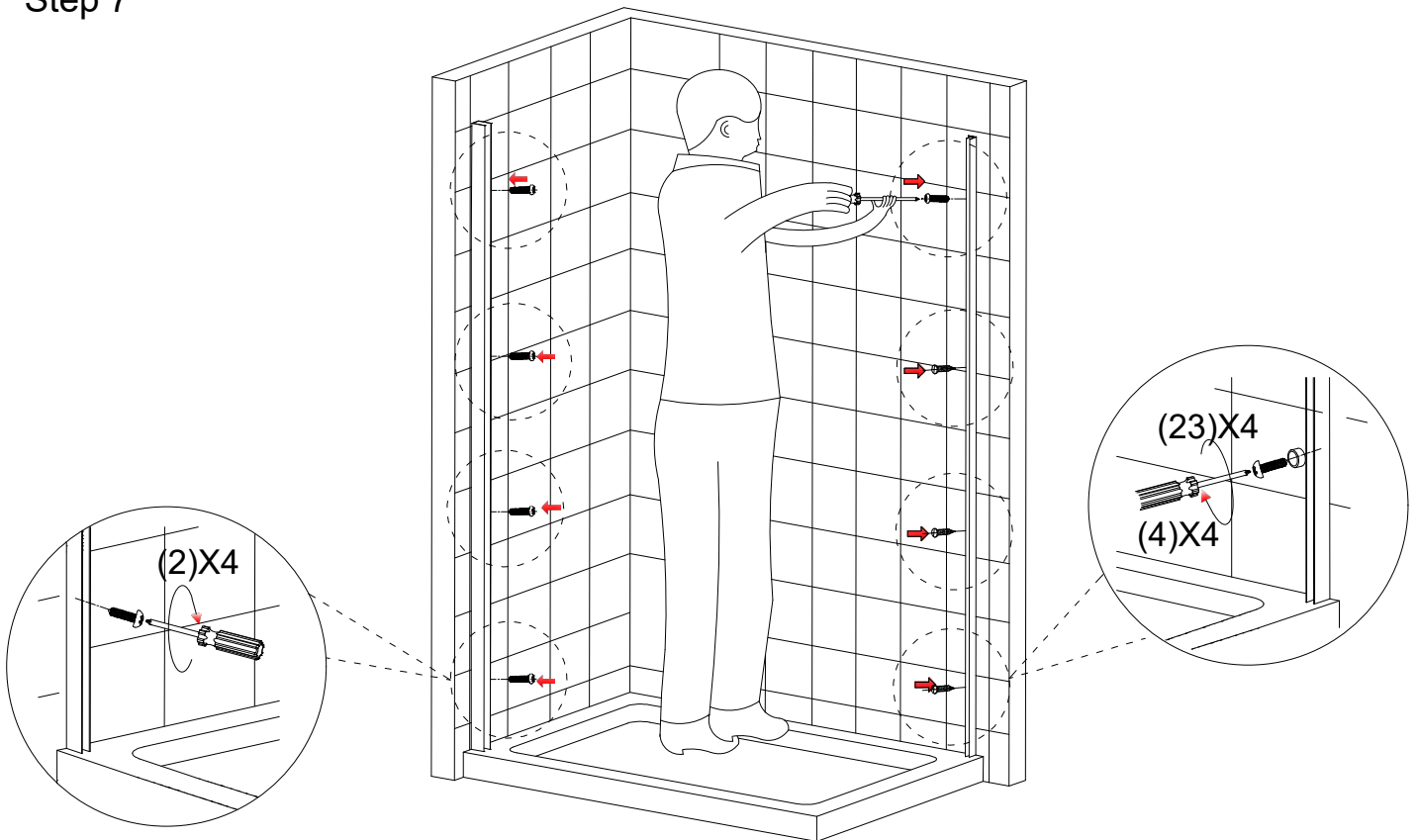
Step 5



Step 6



Step 7



Set the wall channel 2.0mm from the out edge of side panel's frame

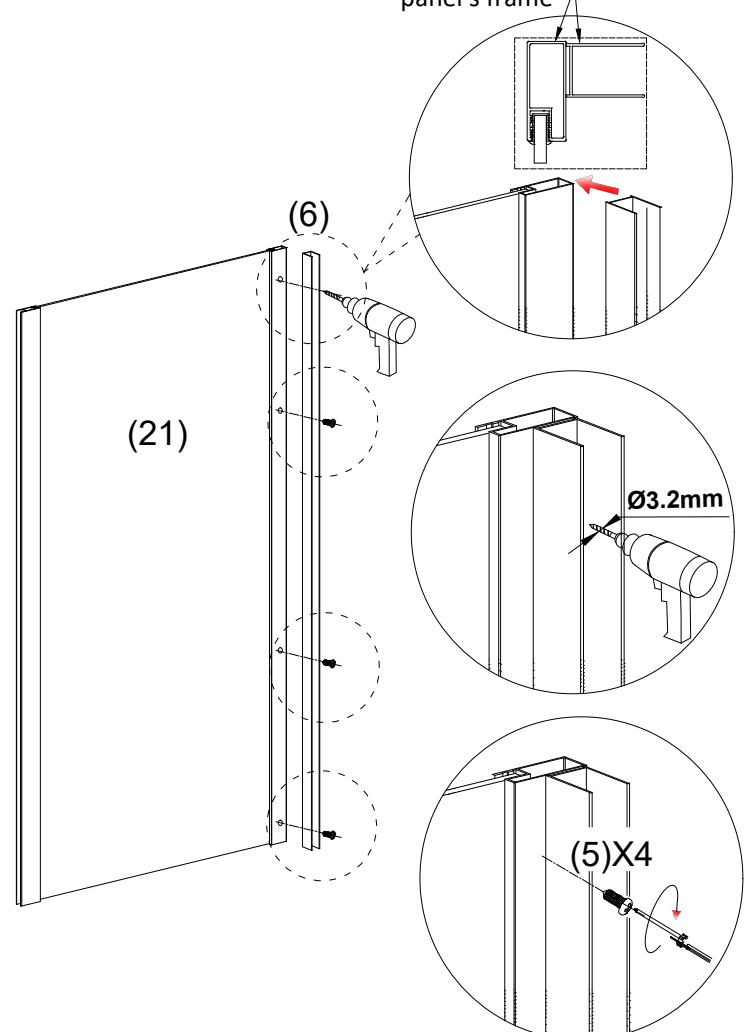
Step 8

Notice:

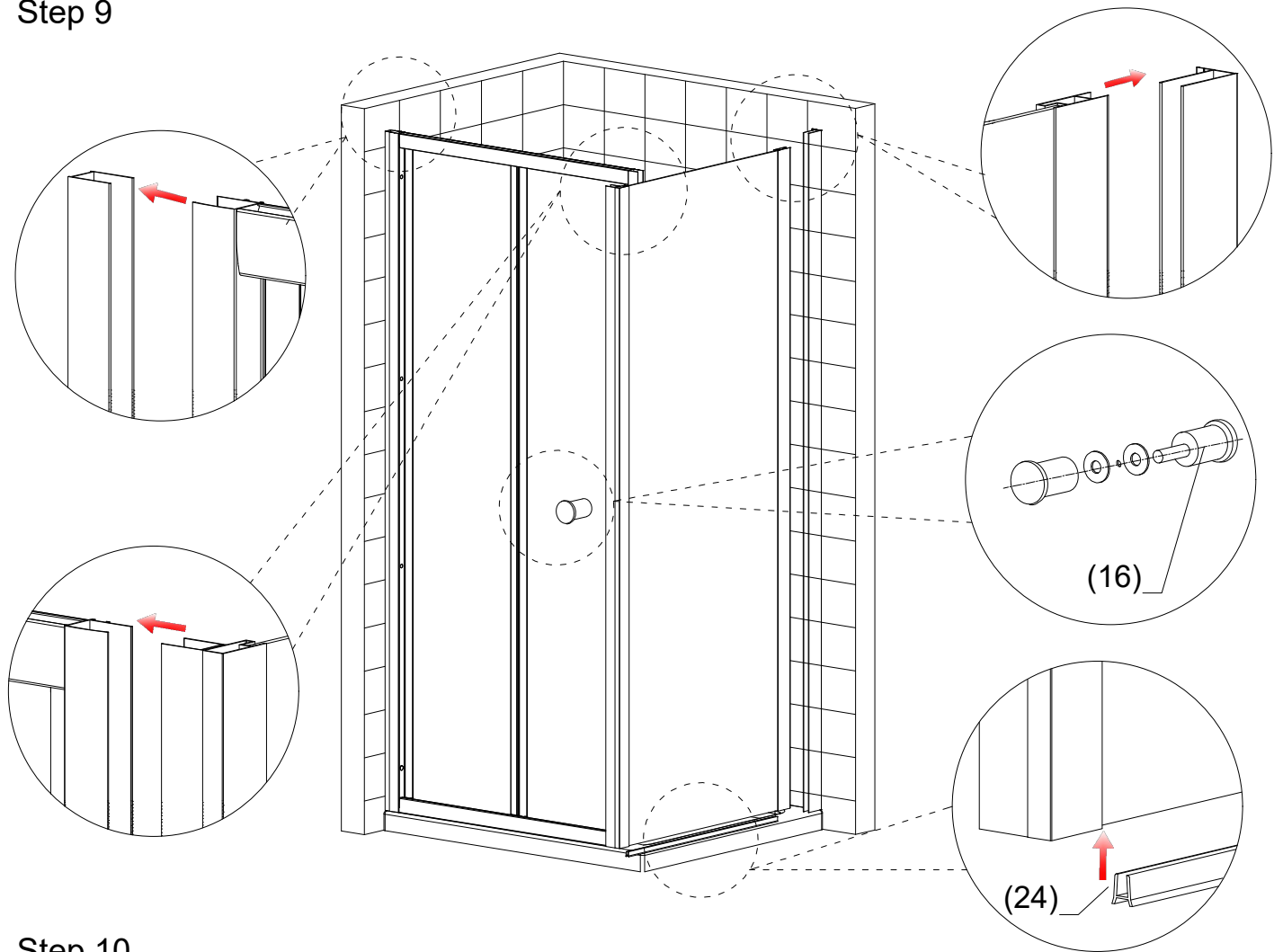
As step 8.1: slide the wall channel (6) onto the side panel's frame, carefully lift the (6) into position of side panel's frame, Set the wall channel 2.0mm from the out edge of side panel's frame

As step 8.2: according to the holes on (6), mark the side panel's frame with pencil, remove (6) and drill 3.2mm holes with drill bit.

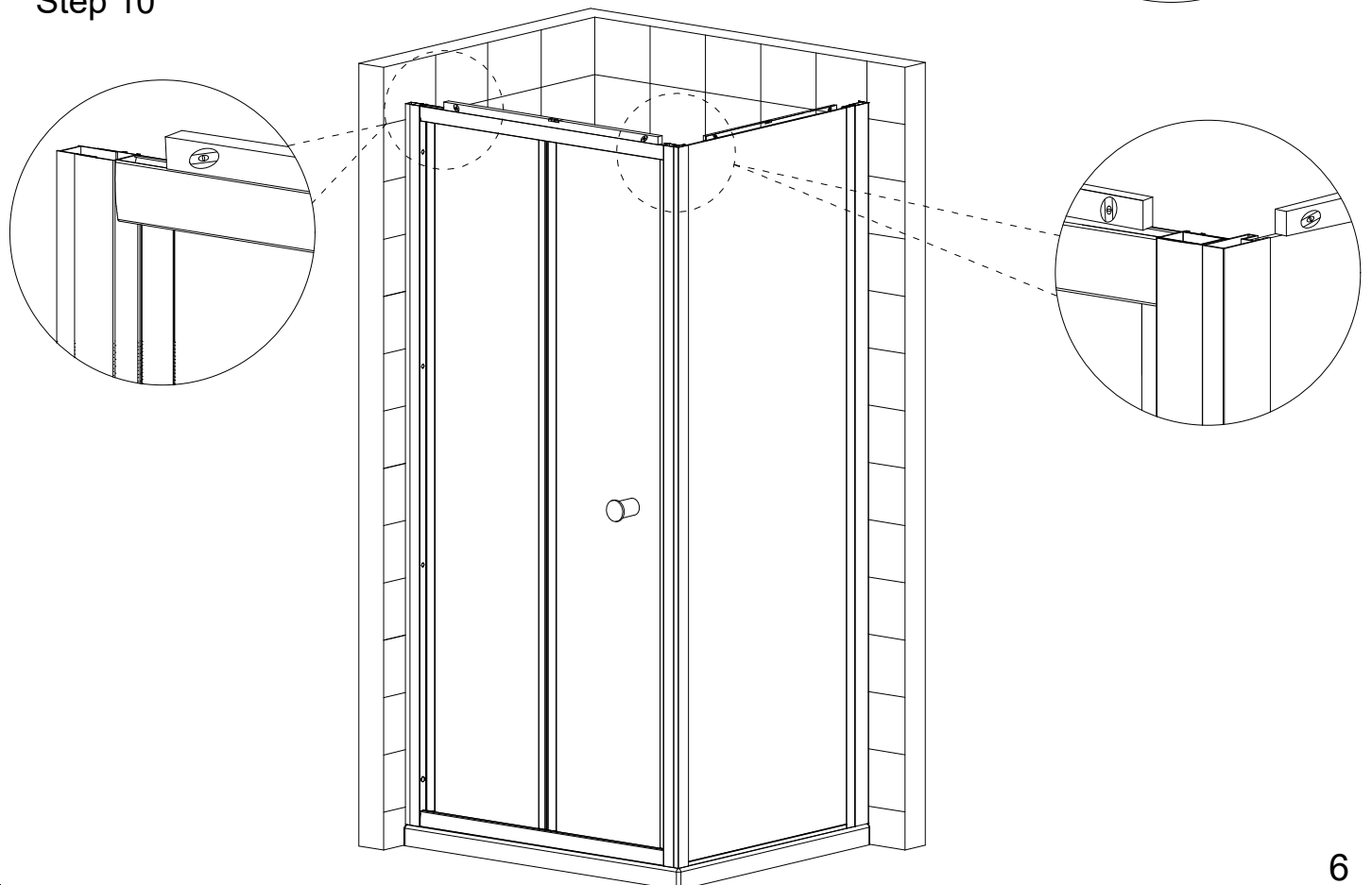
As step 8.3: Fix (5) to side panel's frame using screws (6)



Step 9

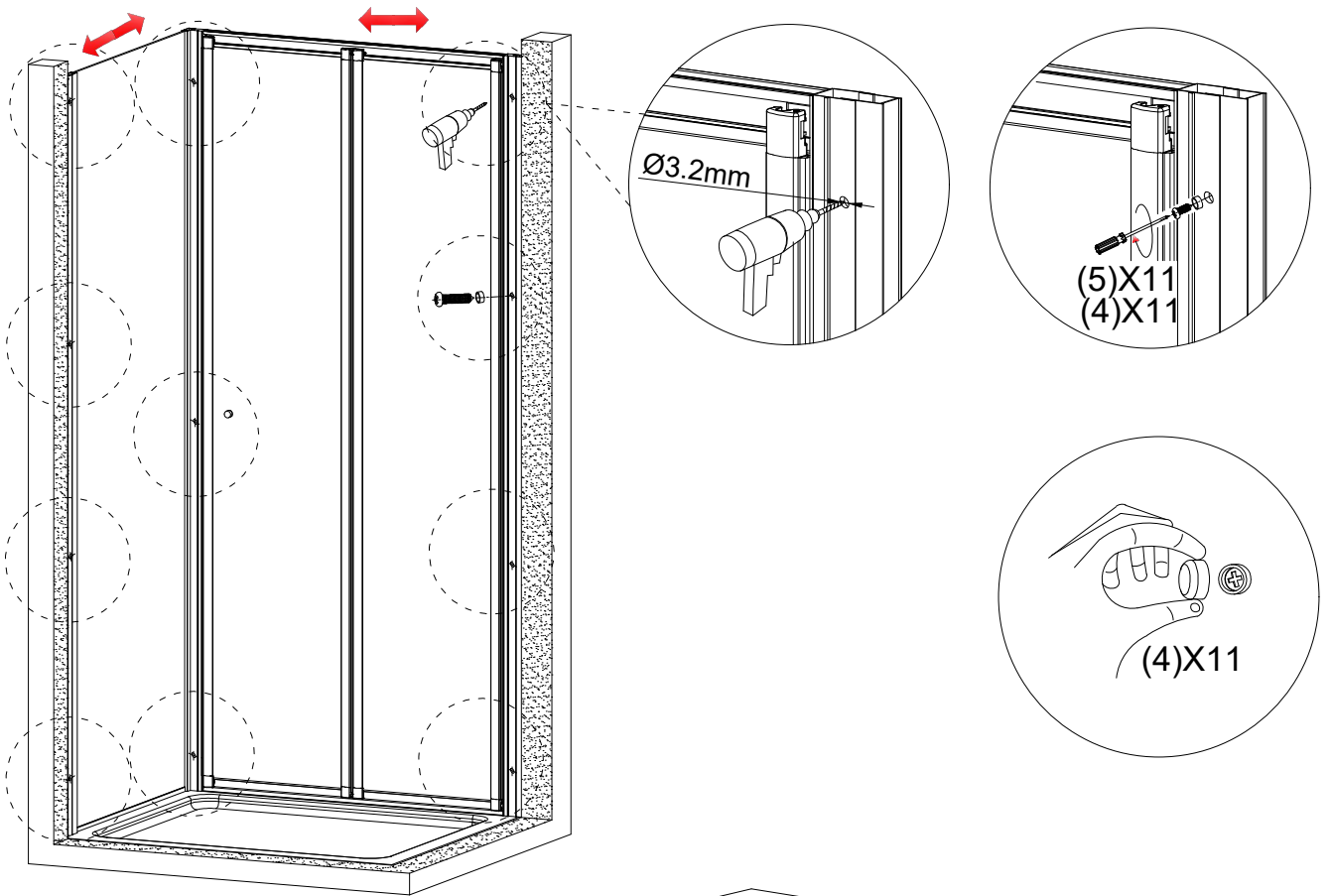


Step 10

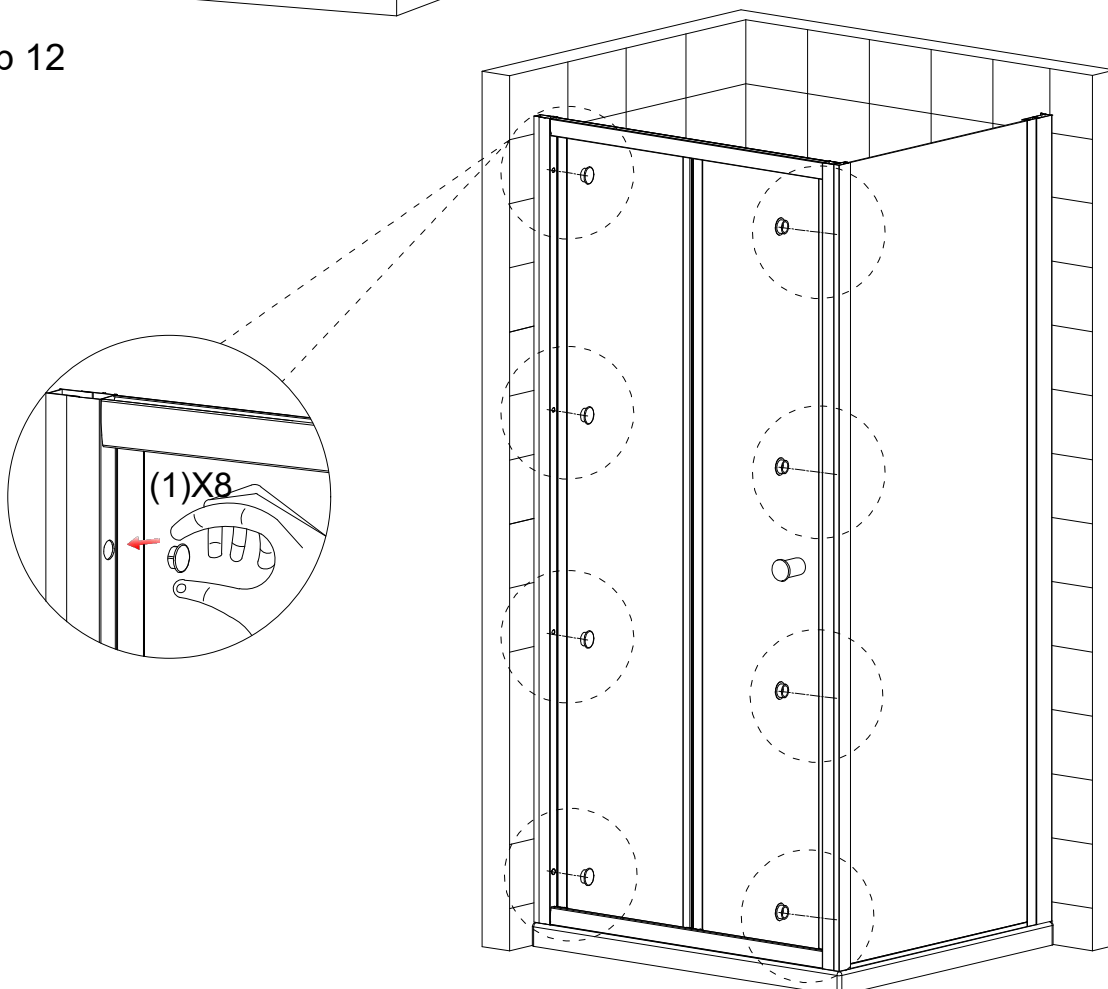


Step 11

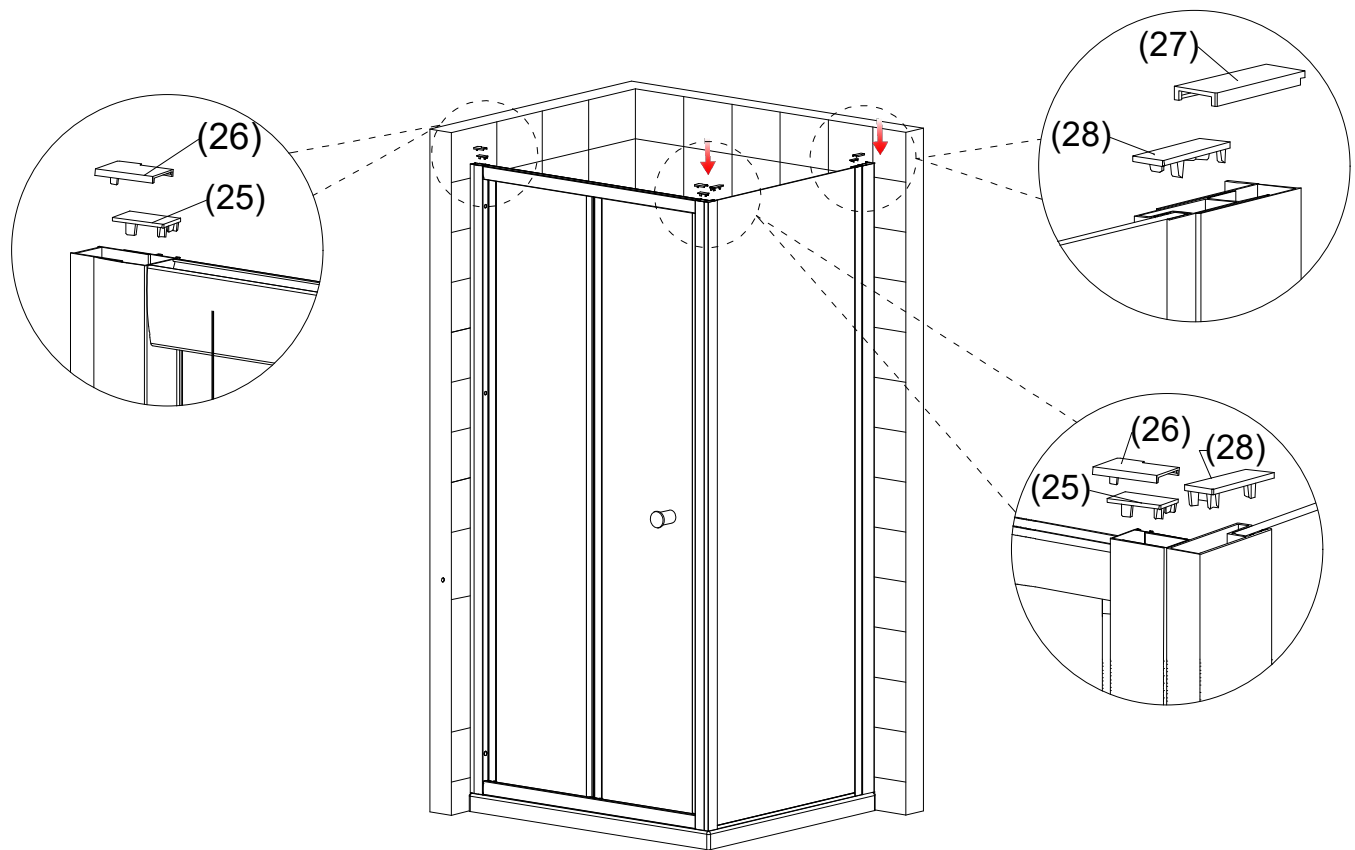
Adjust to proper width



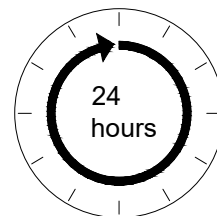
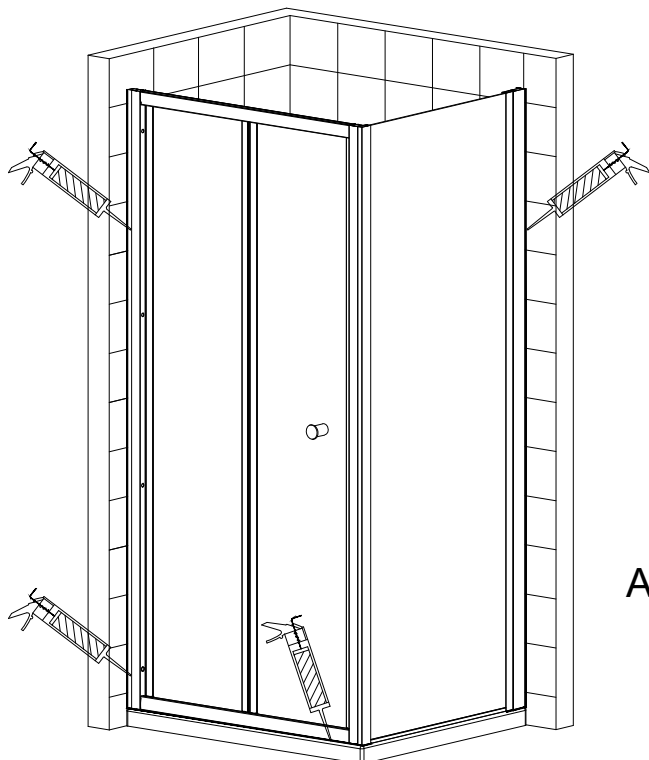
Step 12



Step 13



Step 14



Allow 24 hours for silicone to dry before use.
Silicone on the outside edge only