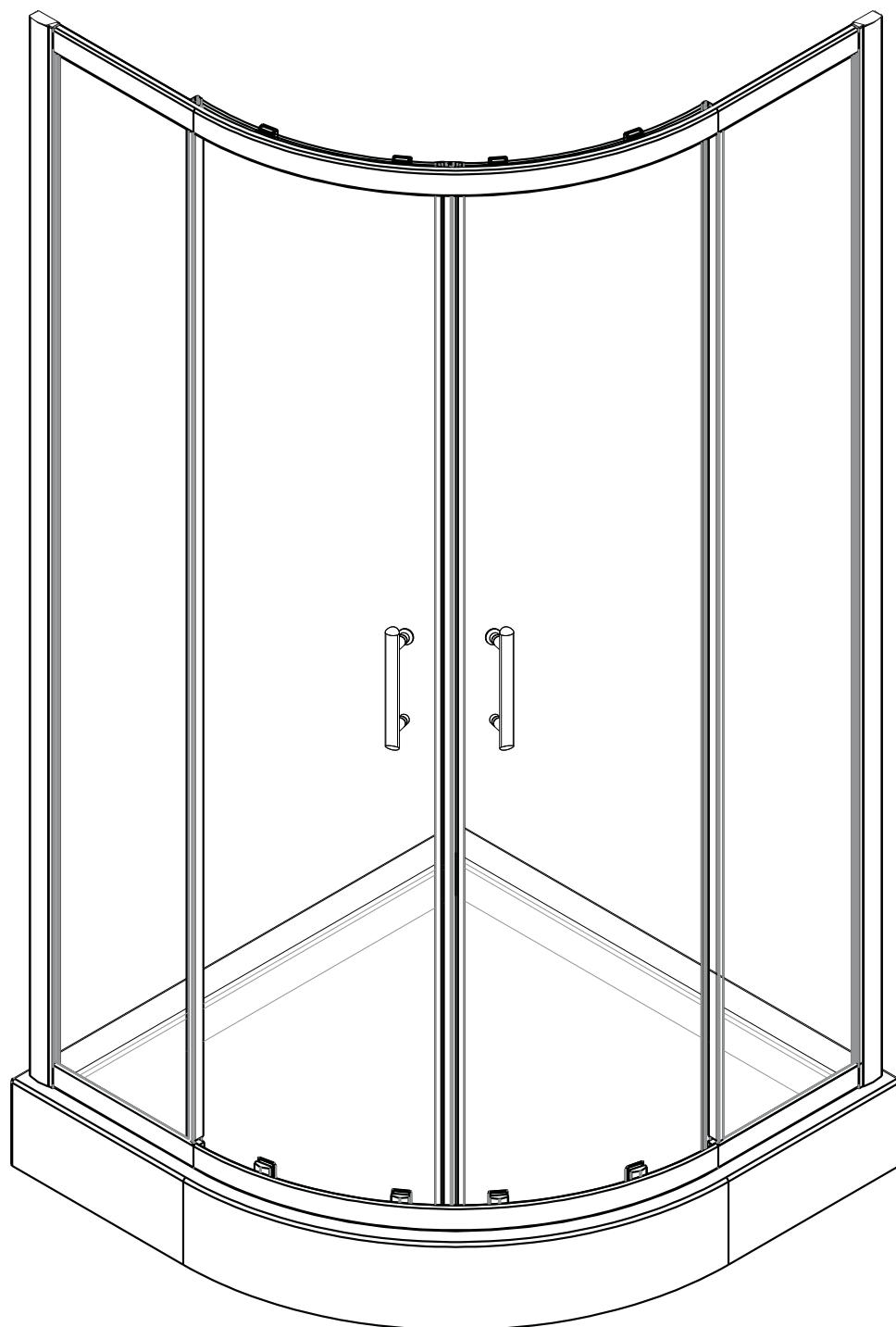
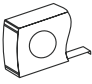


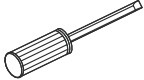

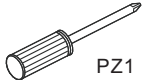

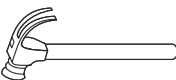
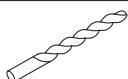



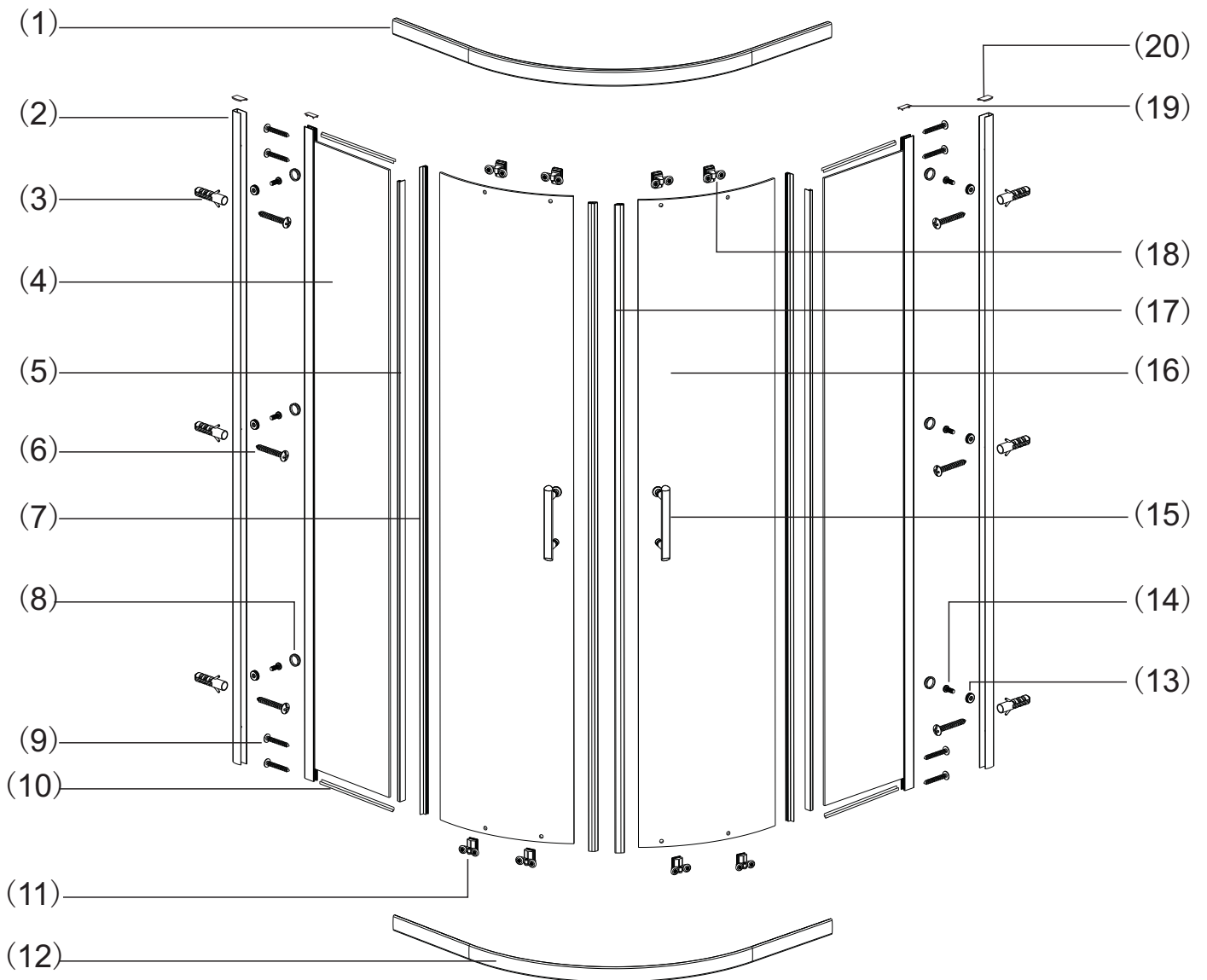
6mm QUADRANT ENCLOSURE



TOOLS REQUIRED

DESCRIPTION	PART IMAGE	DESCRIPTION	PART IMAGE
Tape measure		Drill	
Spirit level		Flat-head Screwdriver	
Pencil		Cross head Screwdriver	 PZ1
Ø6mm Drill bit		Hammer	
Ø3mm Drill bit		Silicone Sealant	

ASSEMBLY INSTRUCTIONS-DRAWING



(1) 1x Top Horizontal Rail

(2) 2x Wall Posts

(3) 6x Wall Plugs

(4) 2x Fixed Panels

(5) 2x Plastic Water Deflectors (Fixed panel)

(6) 6x Screw 4x30

(7) 2x Plastic Water Deflectors (Moving panel)

(8) 6x Chrome Screw Cover Caps

(9) 8x Screws 3.5x30

(10) 4x Bottom Seals

(11) 4x Bottom Rollers

(12) 1x Bottom Horizontal Rail

(13) 6x Screw Cover Cap Clips

(14) 6x Screws 4x12

(15) 2x Pairs Of Handle

(16) 2x Moving Panels

(17) 2x Magnet Seals

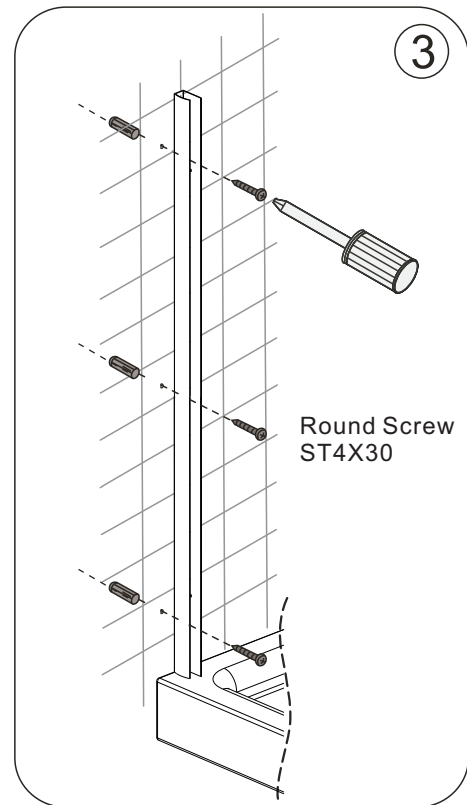
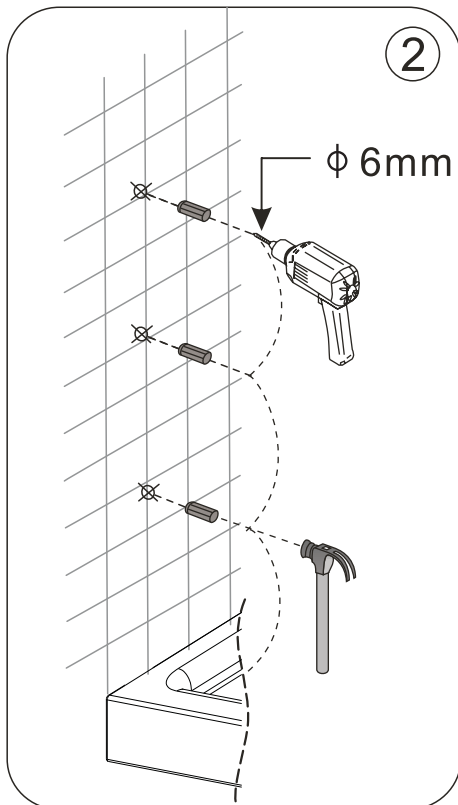
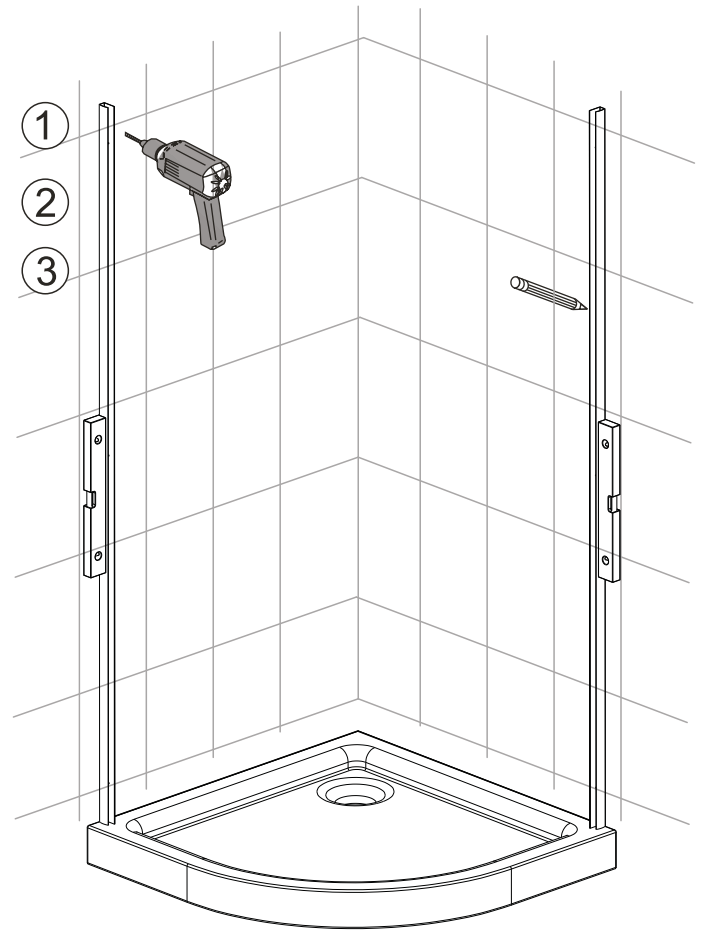
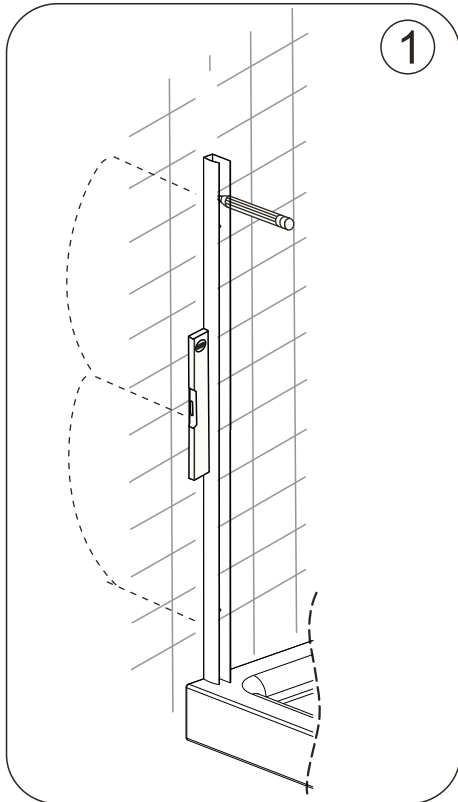
(18) 4x Top Double Rollers

(19) 2x Wall Profile Cover Caps

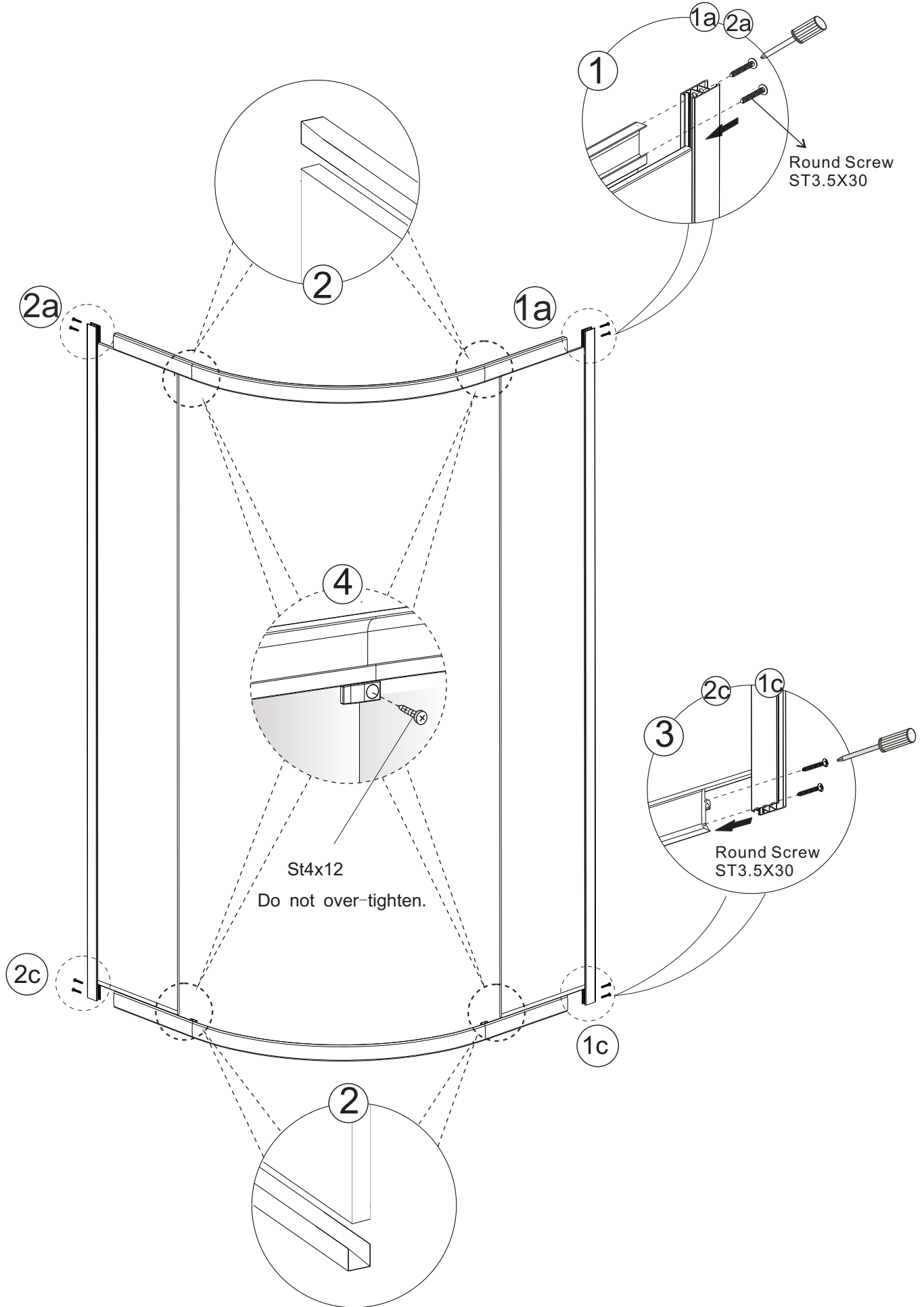
(20) 2x Upright Profile Cover Caps L&R

ASSEMBLY INSTRUCTIONS

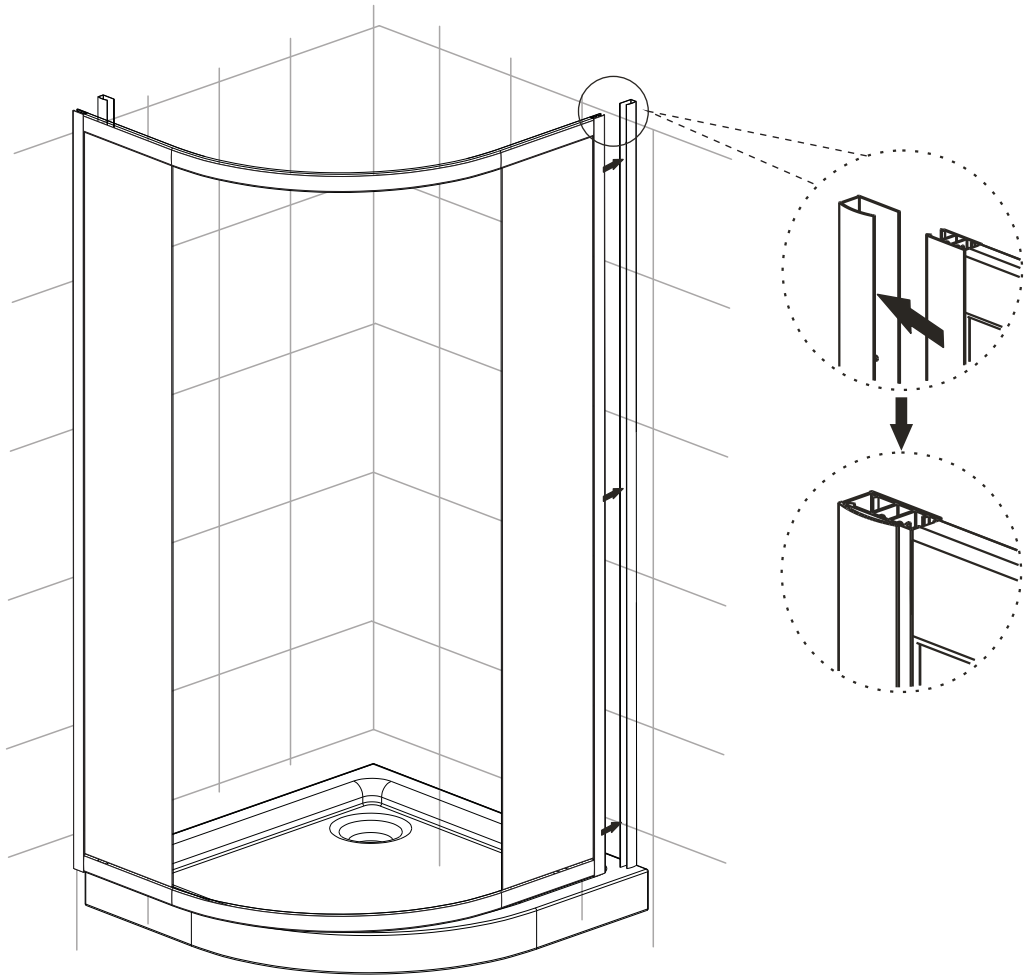
Step 1



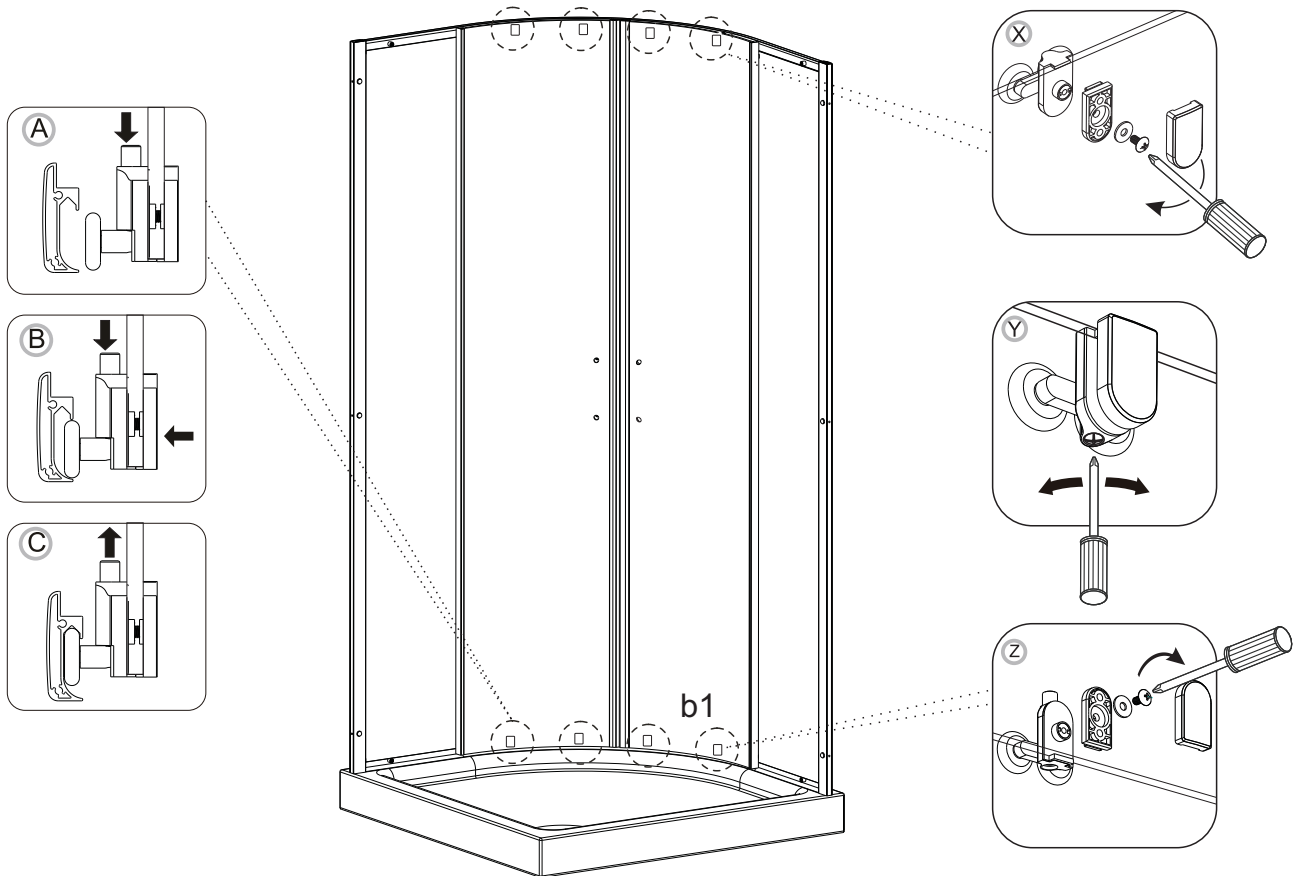
Step 2



Step 3

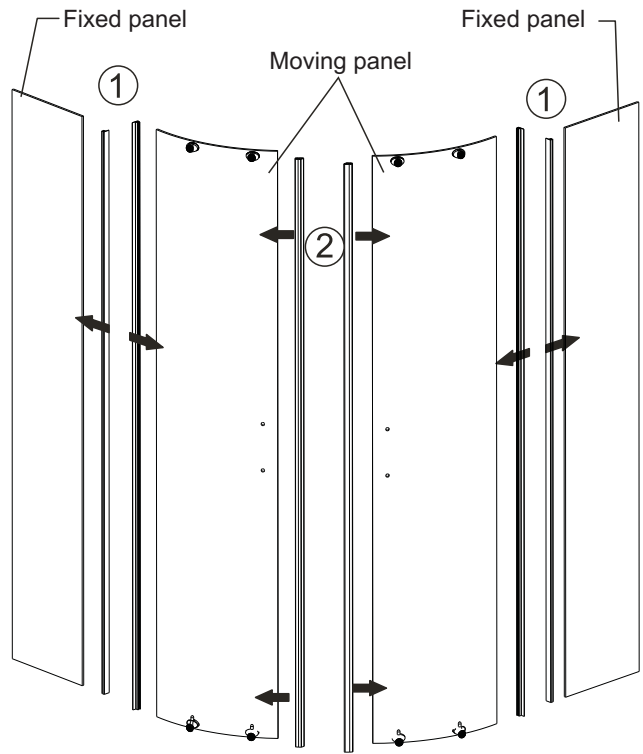
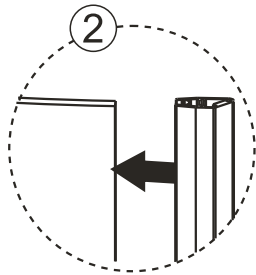
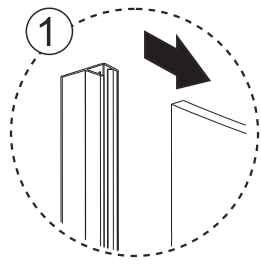


Step 4

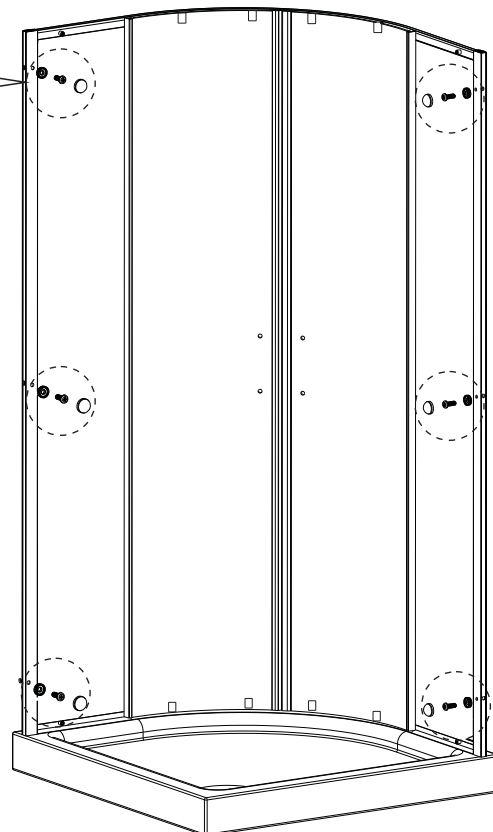
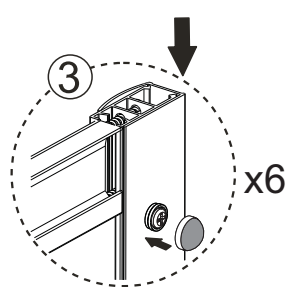
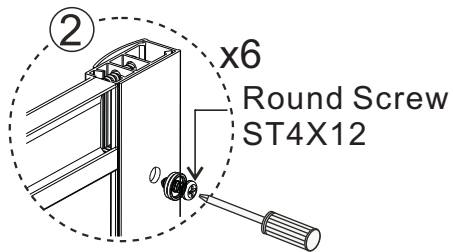
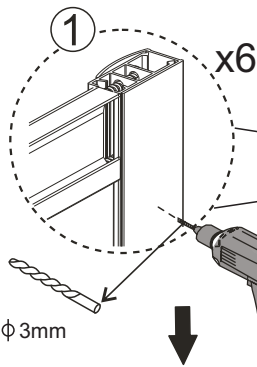


Step 5

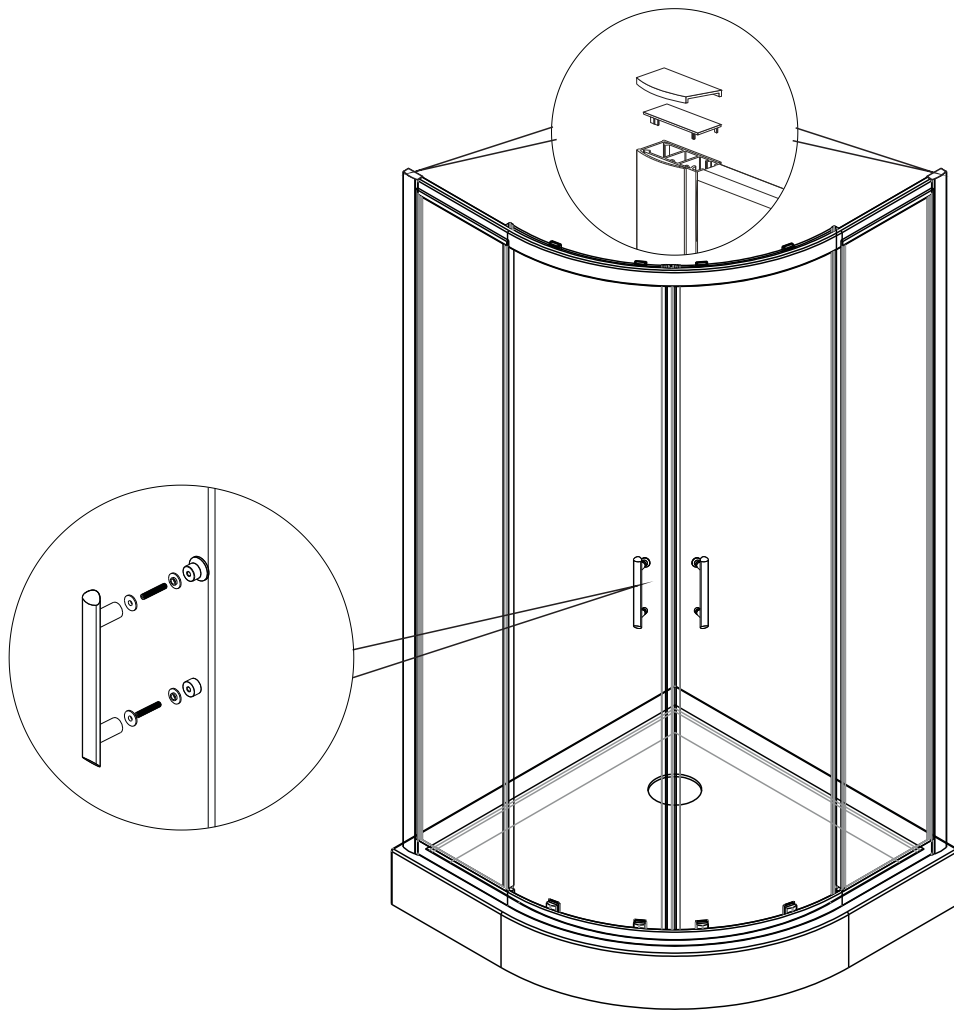
Fitting Water Deflectors+Magnet Seals:



Step 6



Step 7



Step 8

