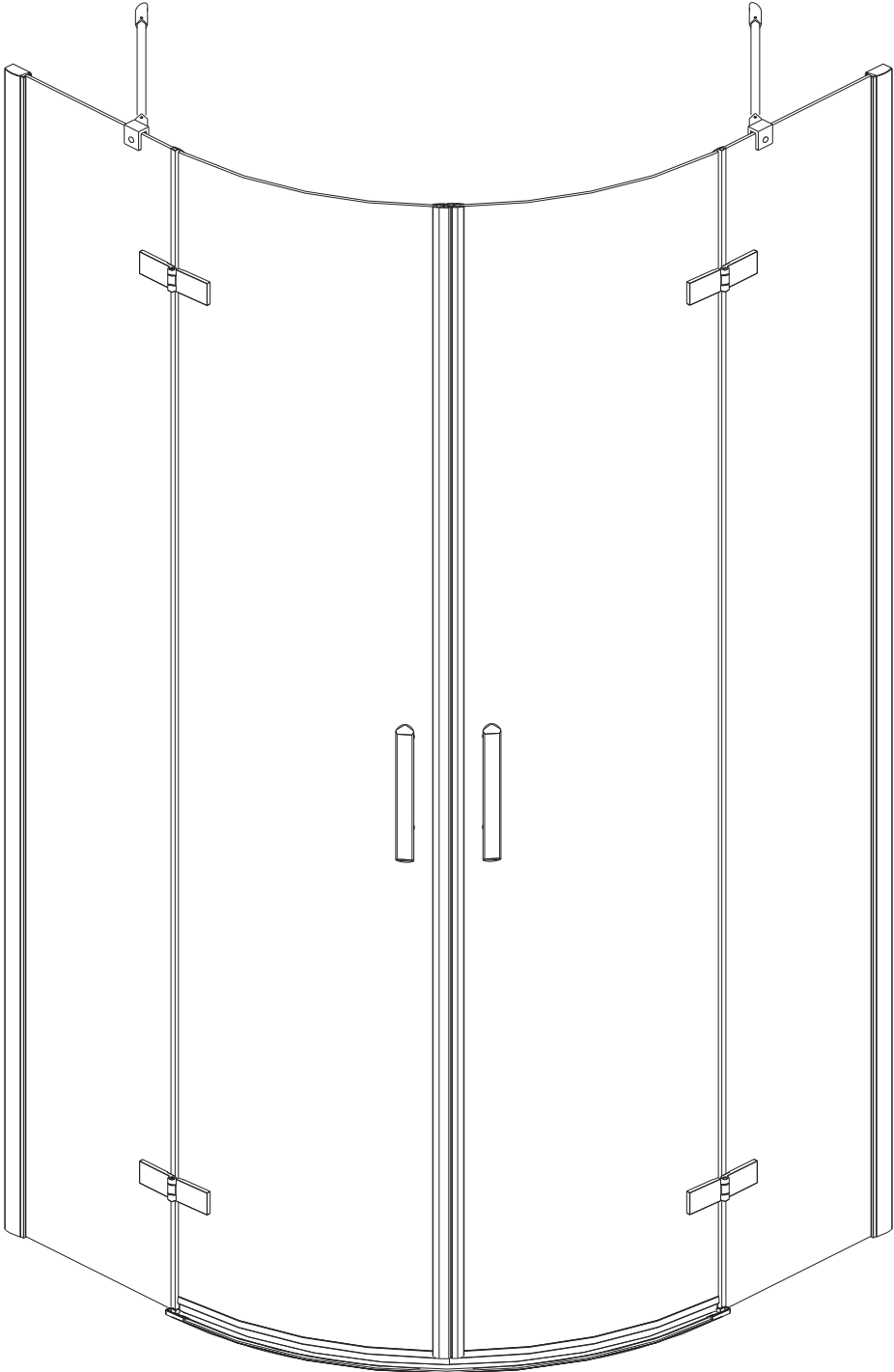
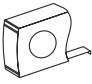


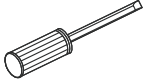

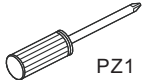

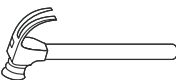
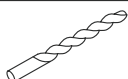



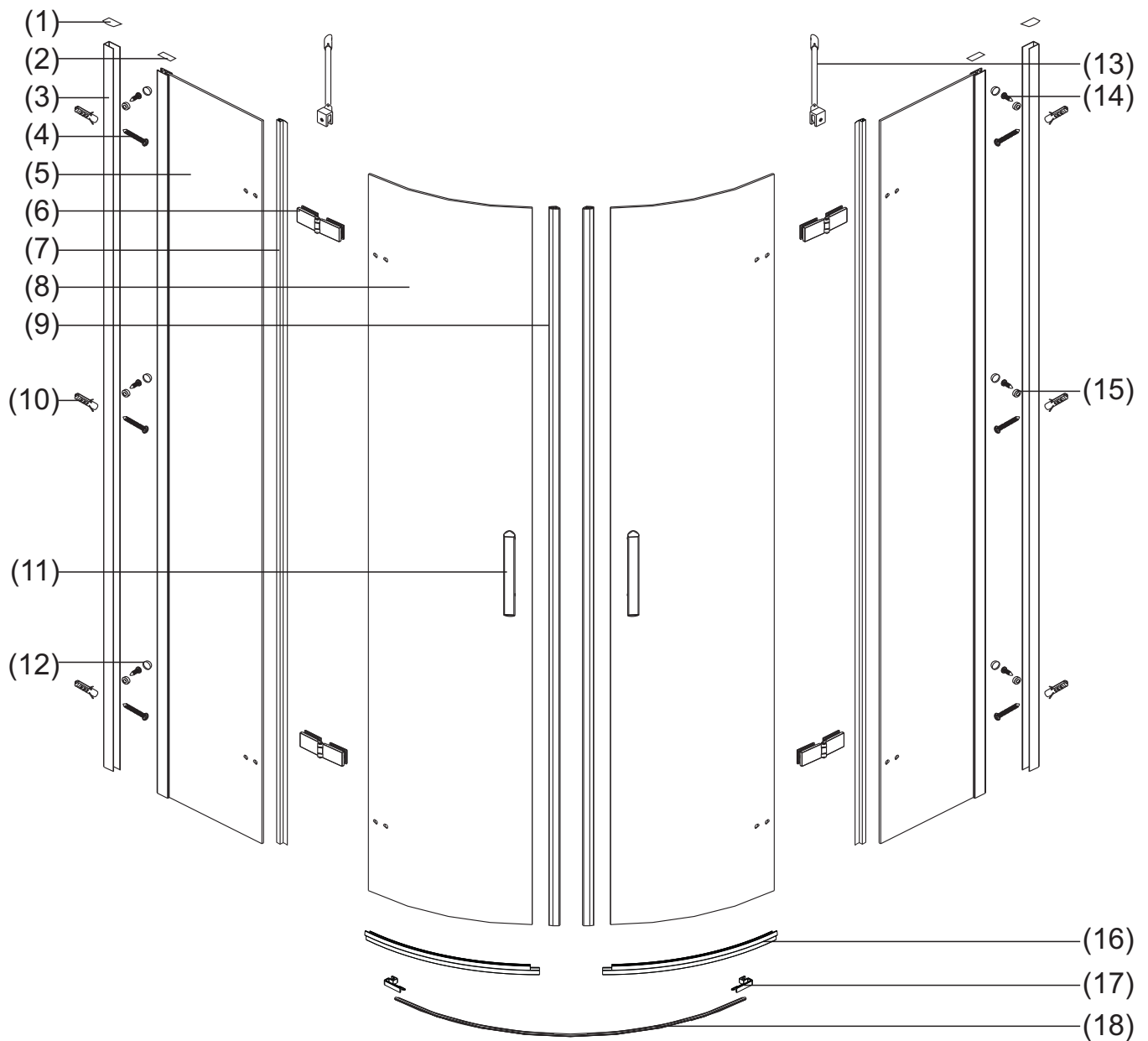
6mm FRAMELESS HINGED QUADRANT ENCLOSURE



TOOLS REQUIRED

DESCRIPTION	PART IMAGE	DESCRIPTION	PART IMAGE
Tape measure		Drill	
Spirit level		Flat-head Screwdriver	
Pencil		Cross head Screwdriver	 PZ1
Ø6mm Drill bit		Hammer	
Ø3mm Drill bit		Silicone Sealant	

ASSEMBLY INSTRUCTIONS-DRAWING

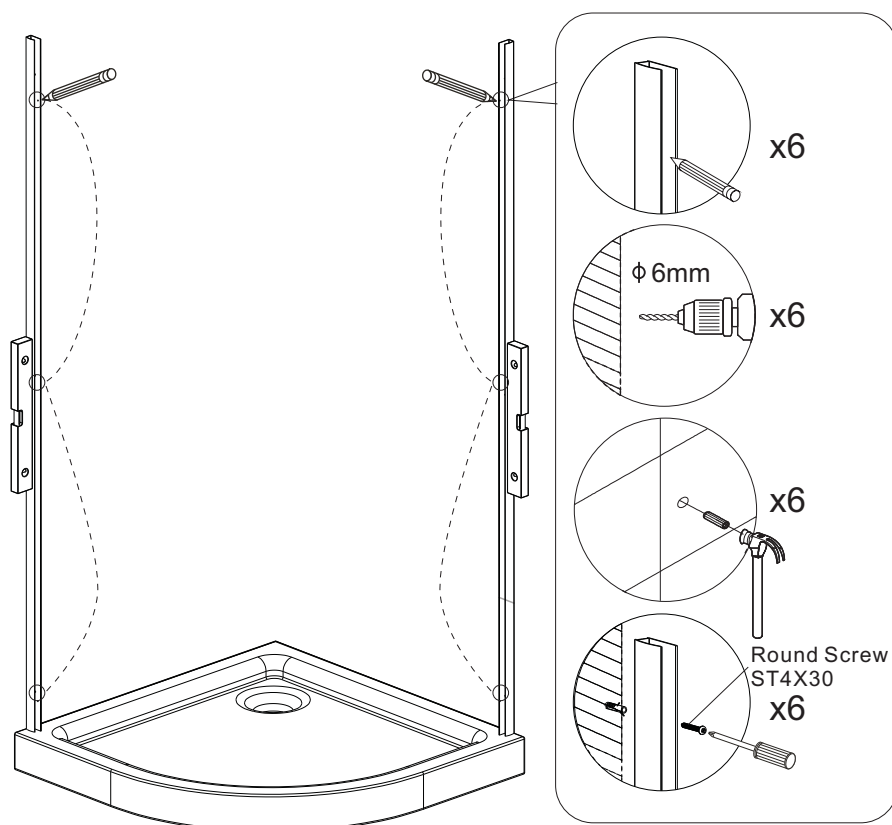


- (1) 2x Wall Profile Cover Caps L&R
- (2) 2x Upright Profile Cover Caps
- (3) 2x Wall Profiles
- (4) 6x Screws 4x30mm
- (5) 2x Fixed Panels
- (6) 4x Hinges
- (7) 2x Vertical Seals
- (8) 2x Moving Panels
- (9) 2x Magnet Seal (Moving Door)

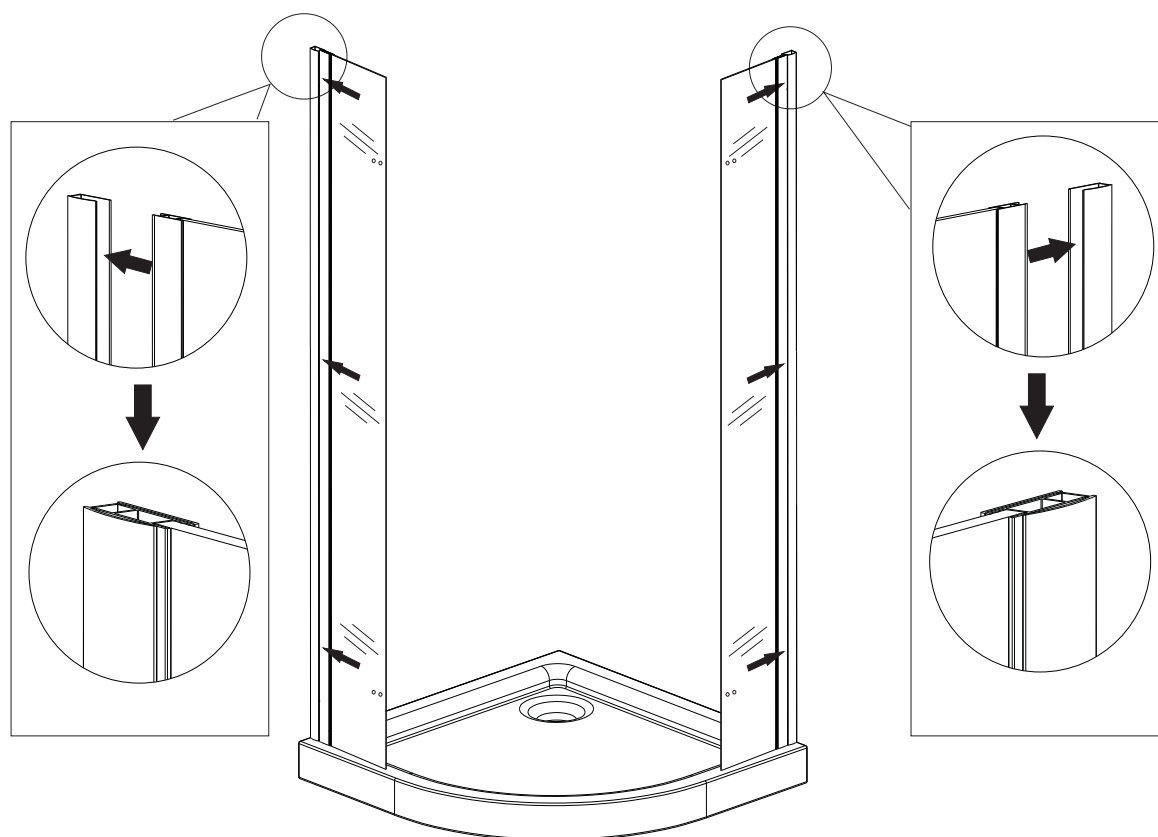
- (10) 6x Wall Plugs
- (11) 2x Handles
- (12) 6x Screw Cover Caps
- (13) 2x Top Bar
- (14) 6x Screws 4x12mm
- (15) 6x Screw Cover Cap Clips
- (16) 2x Bottom Seals L&R
- (17) 2x End Cover Cap
- (18) 1x Drip Strip

ASSEMBLY INSTRUCTIONS

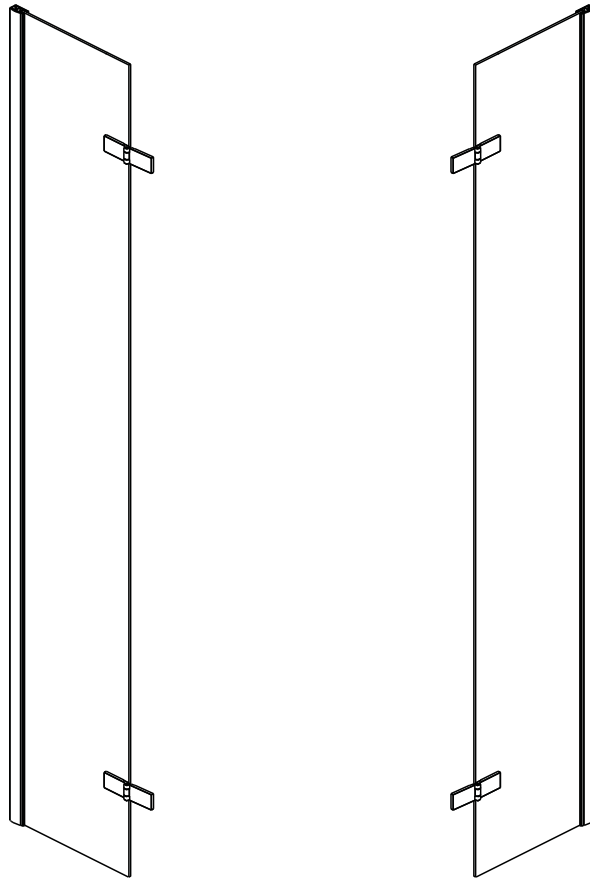
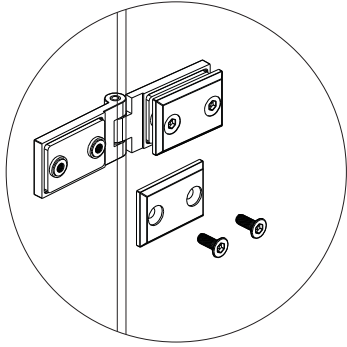
Step 1



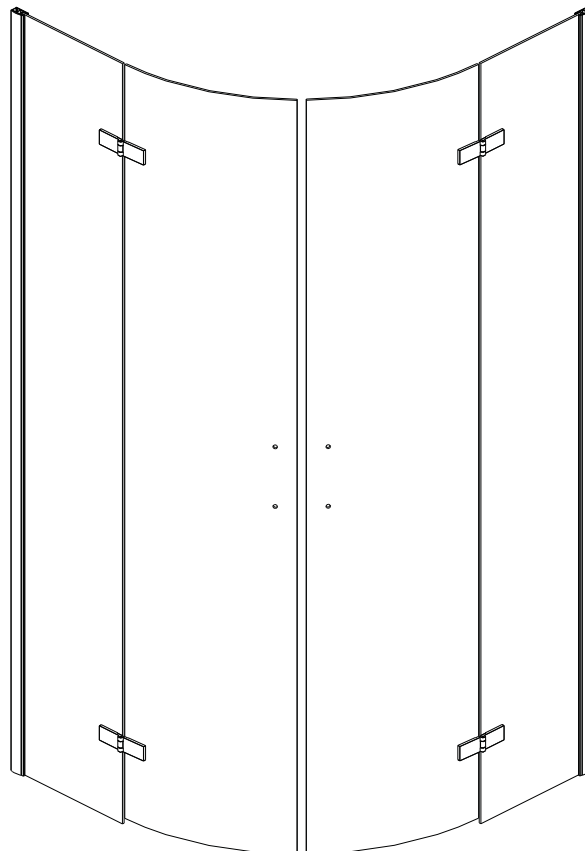
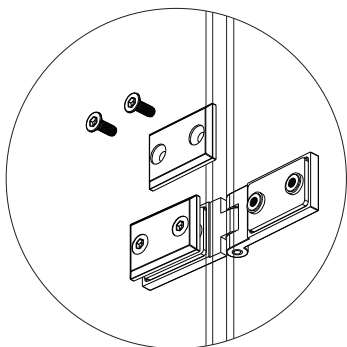
Step 2



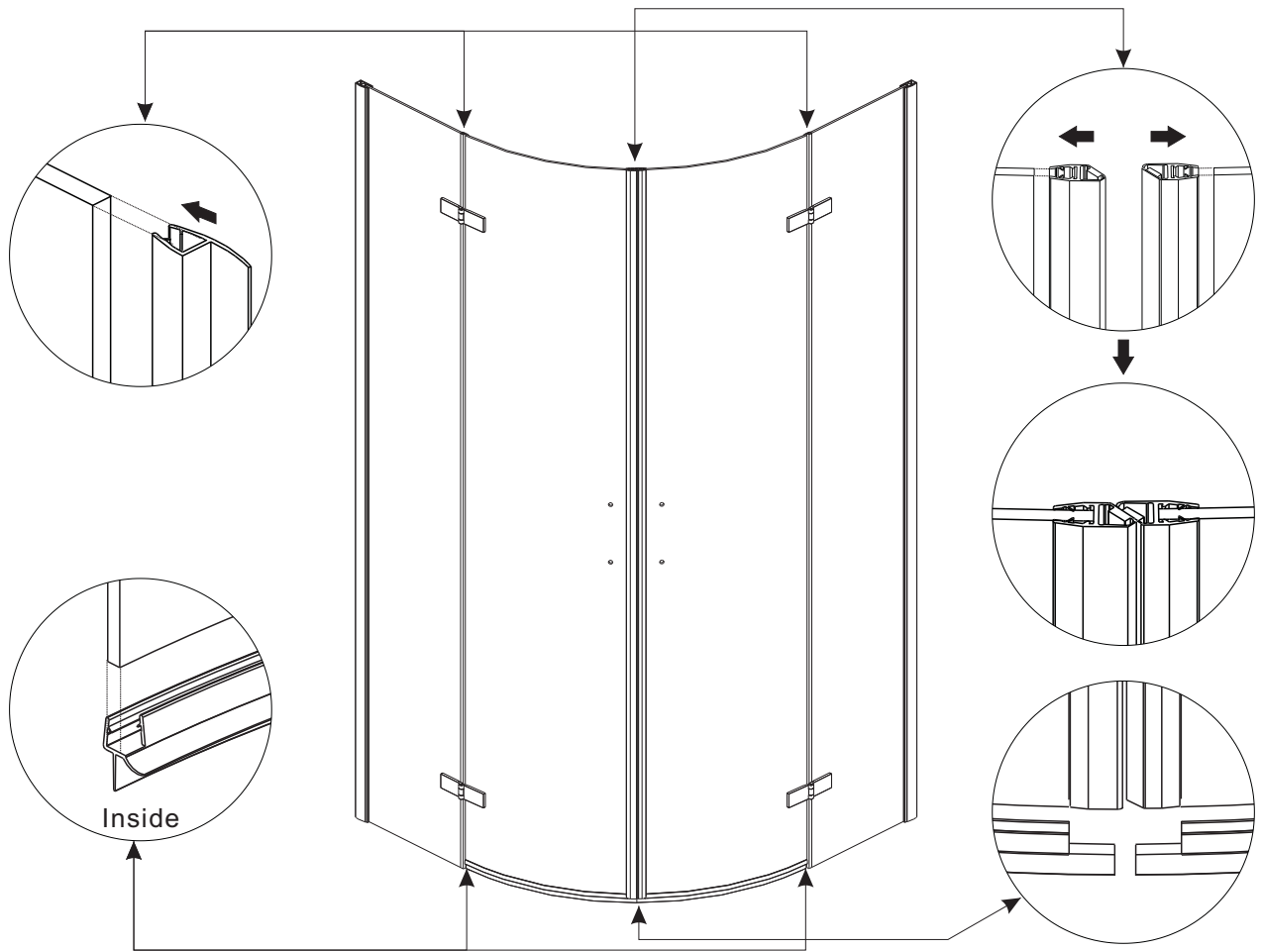
Step 3



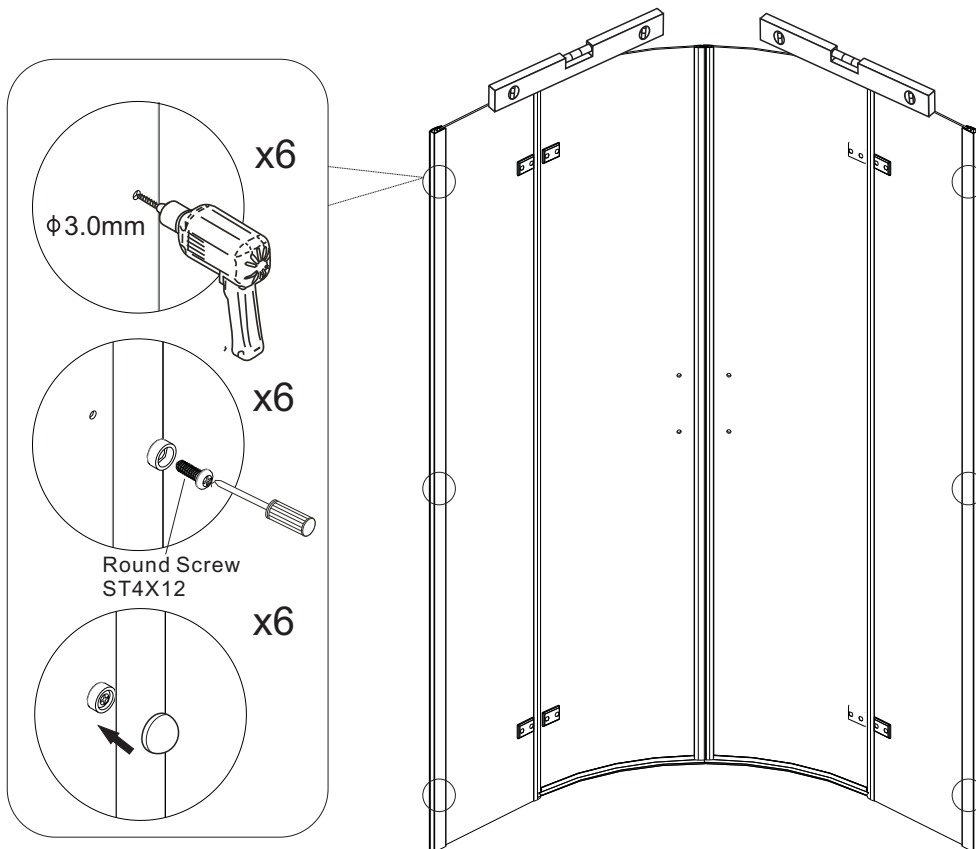
Step 4



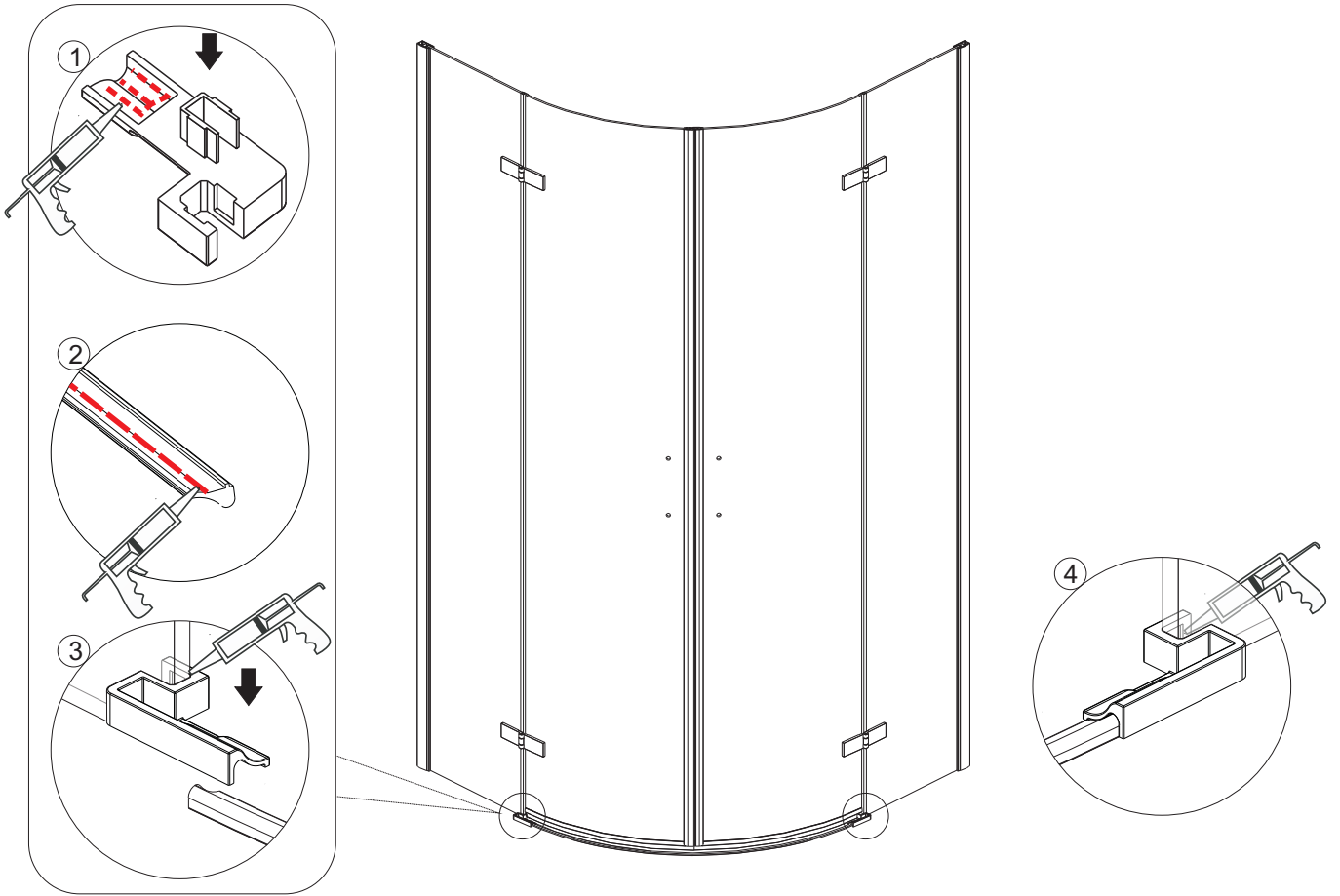
Step 5



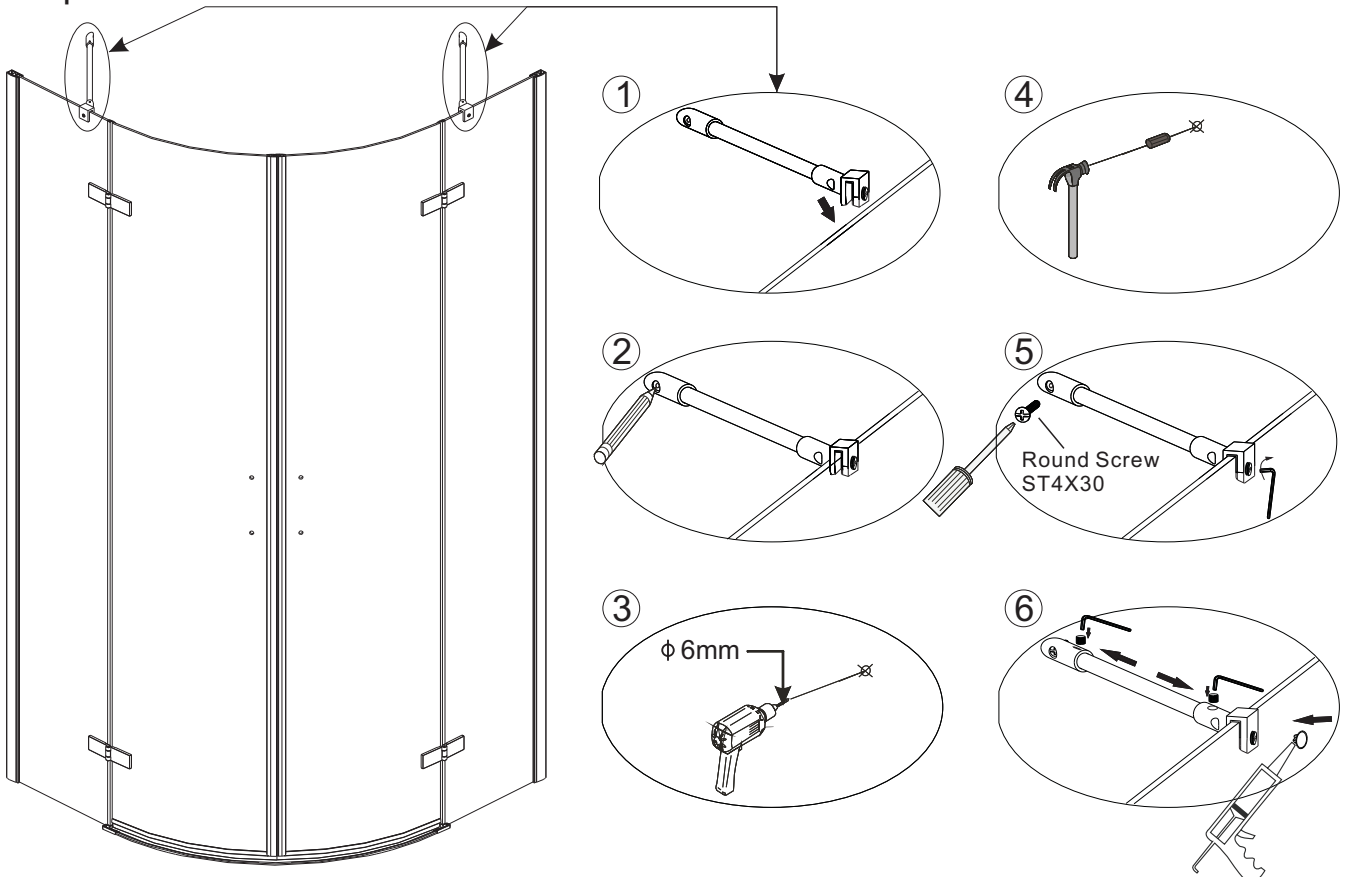
Step 6



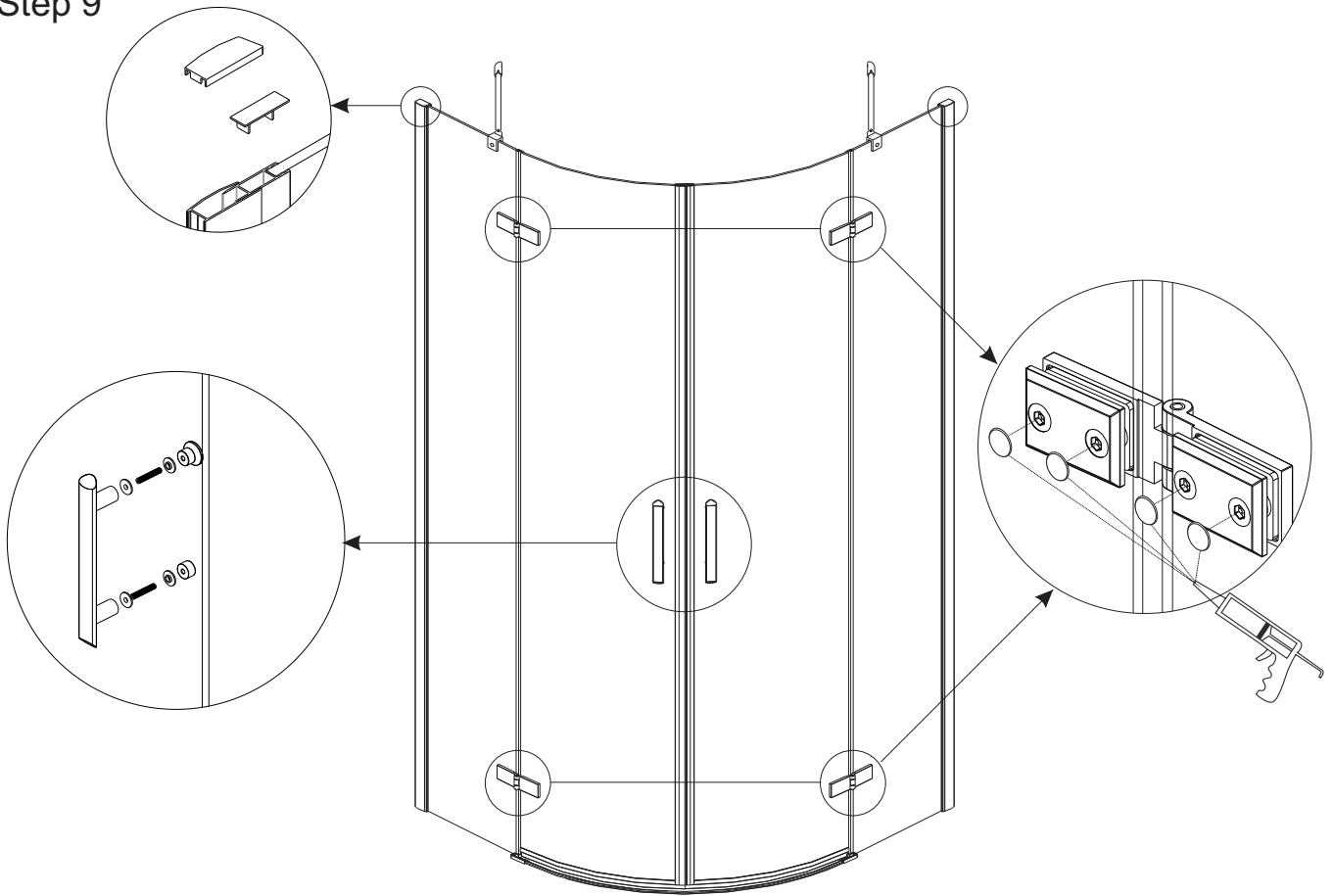
Step 7



Step 8



Step 9



Step 10

