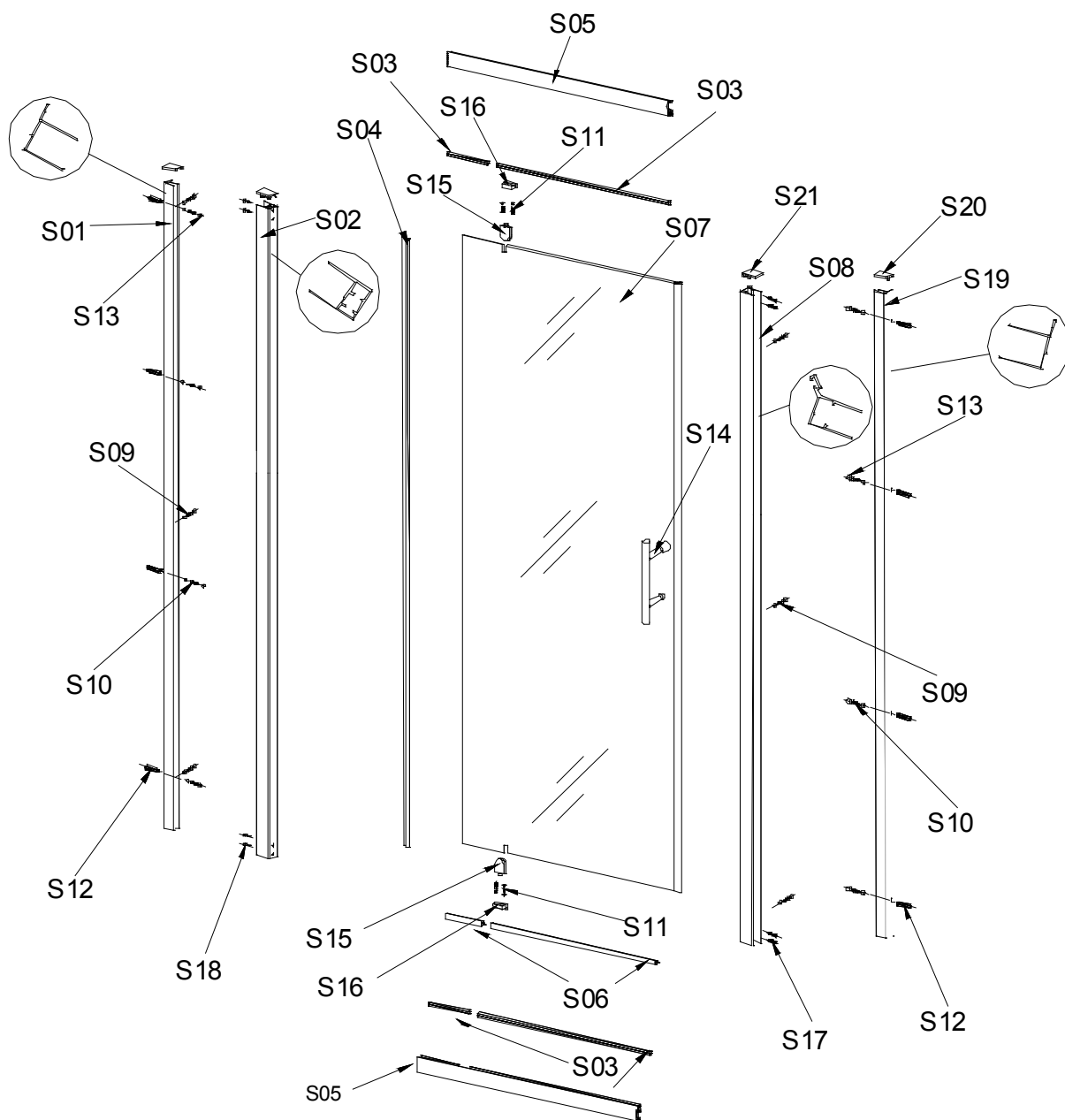
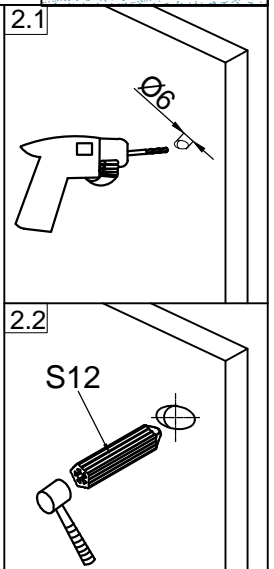
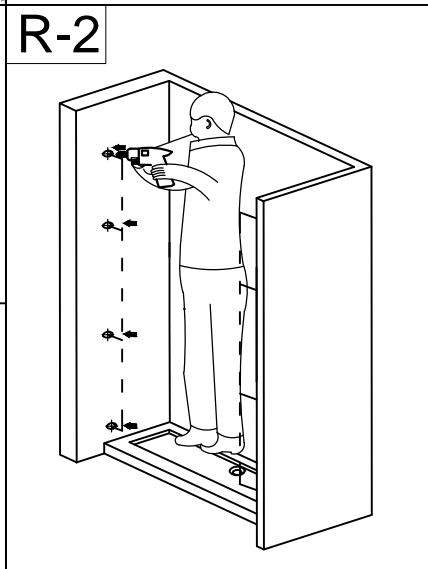
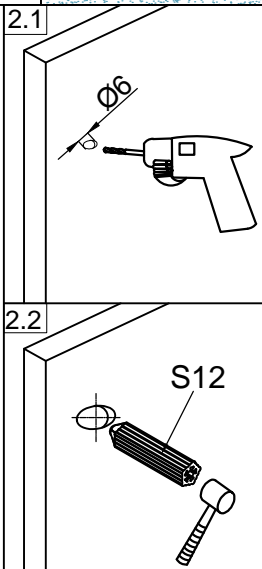
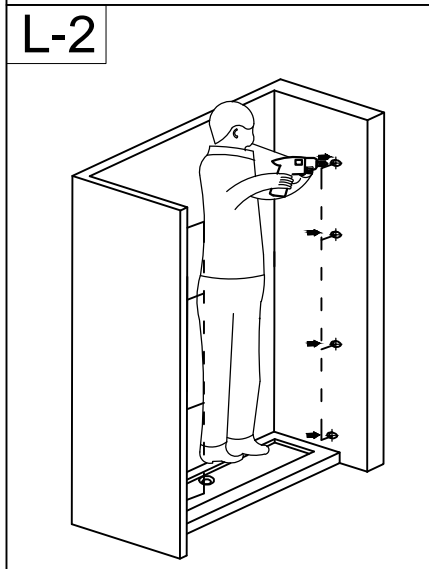
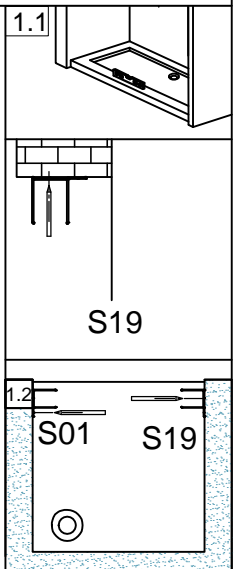
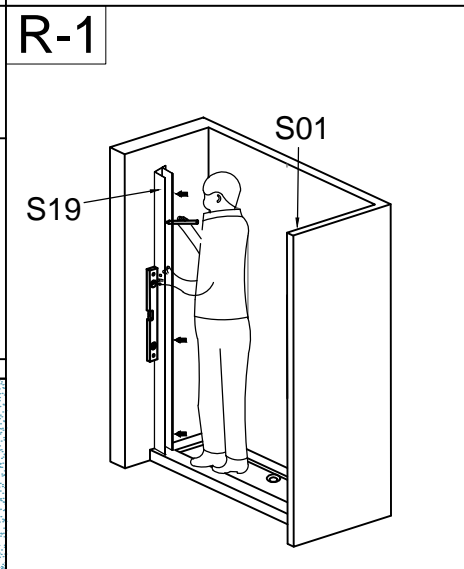
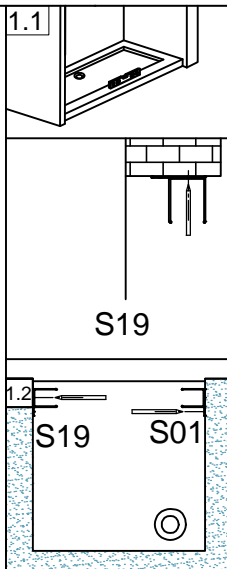
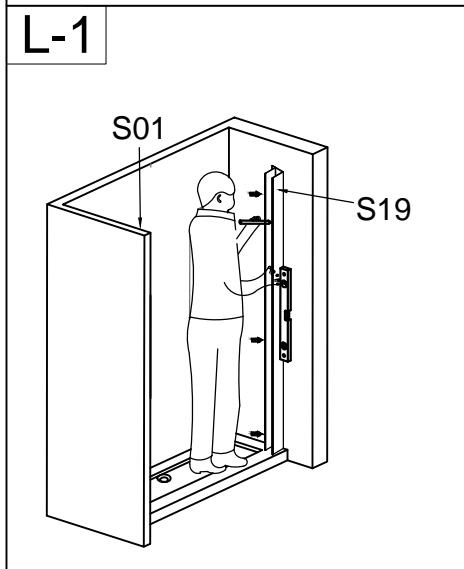
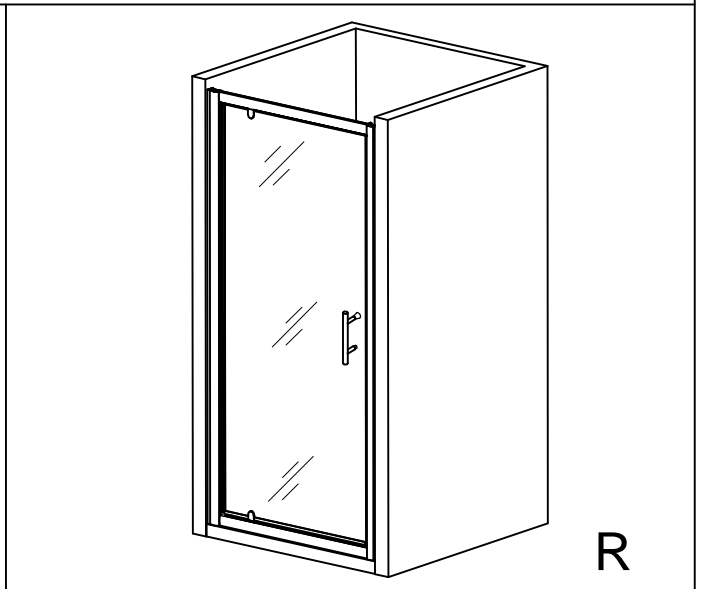
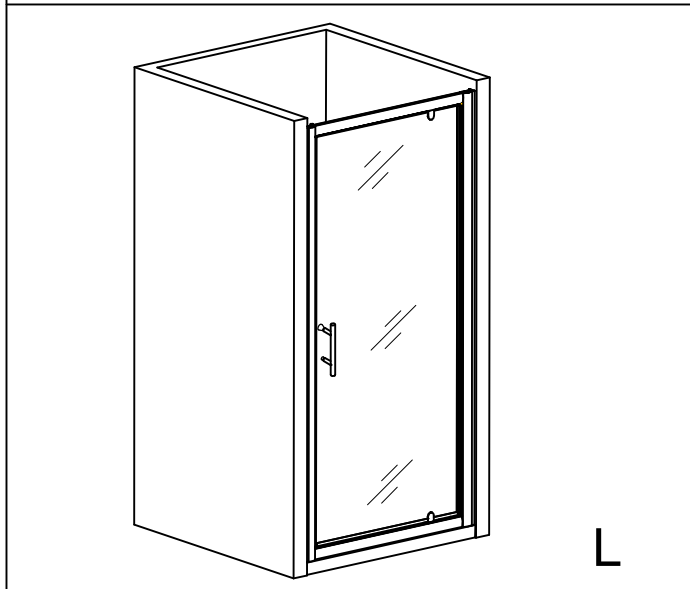
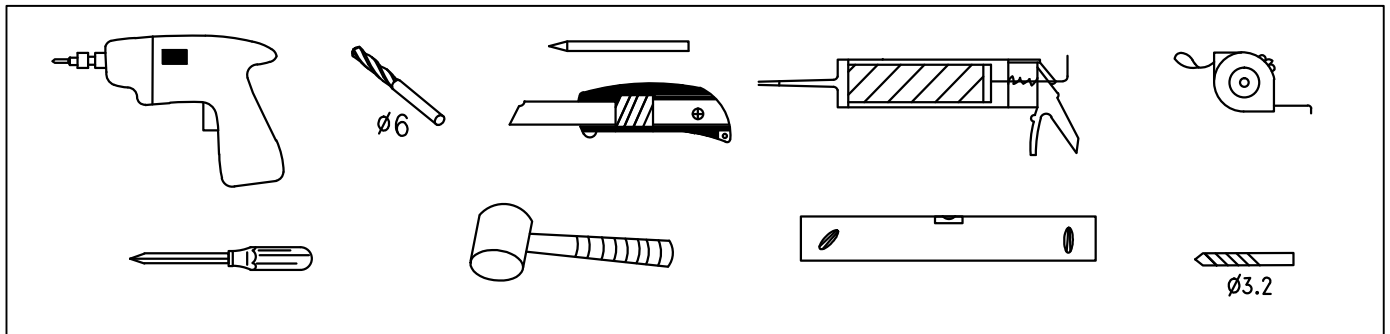
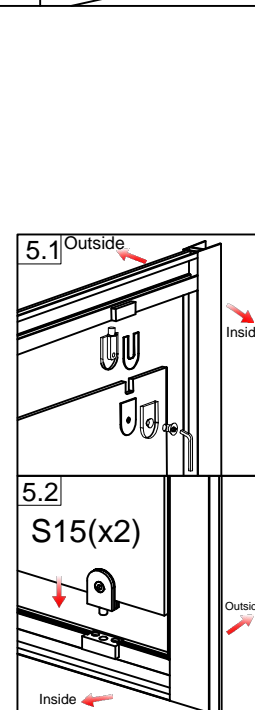
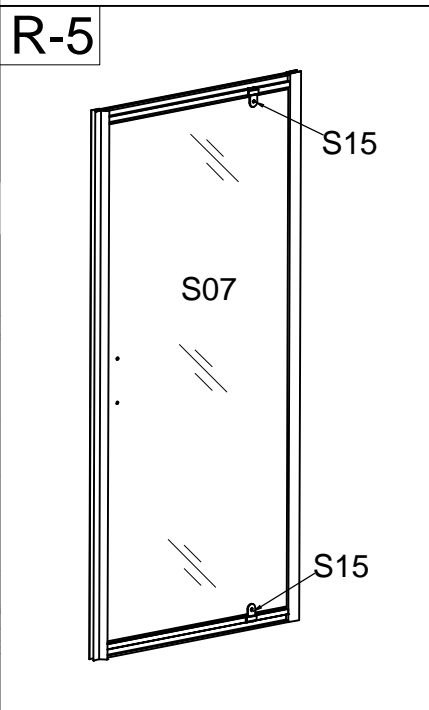
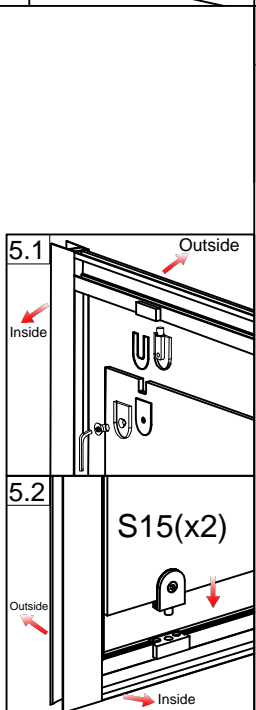
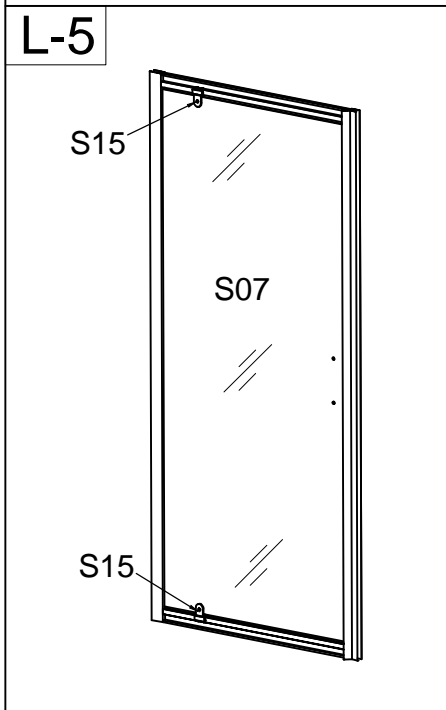
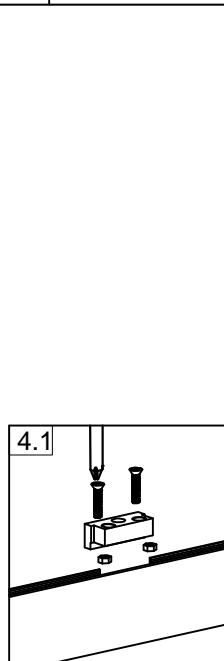
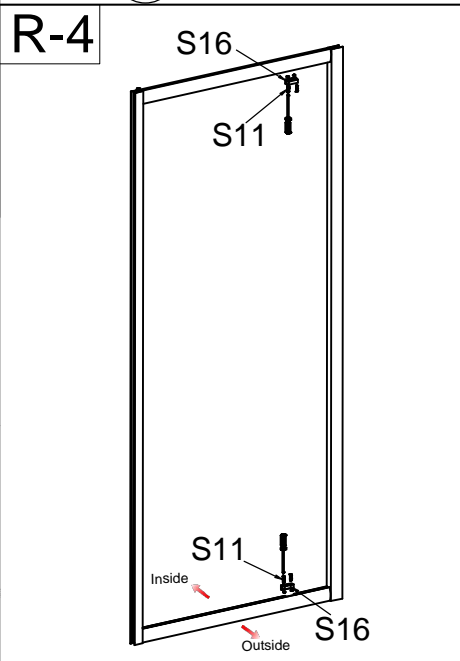
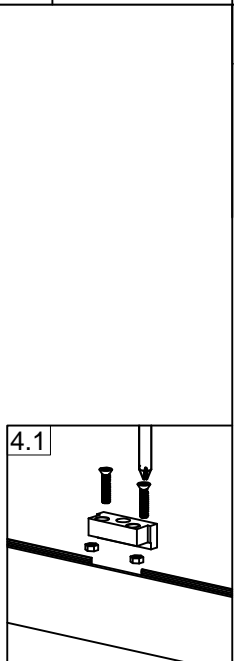
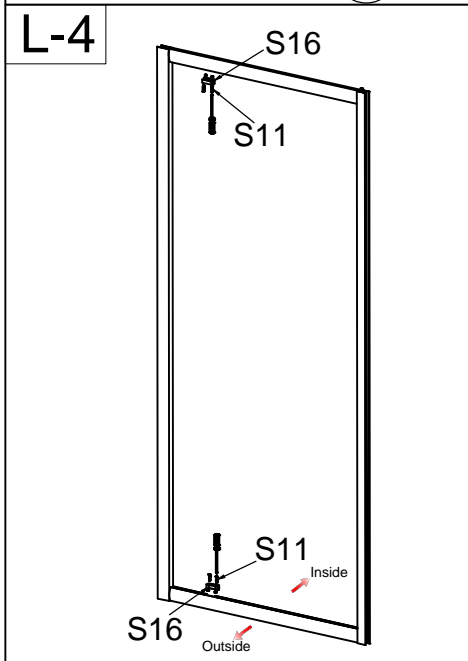
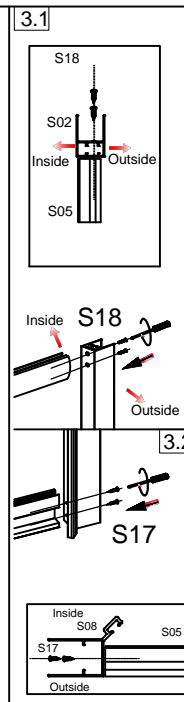
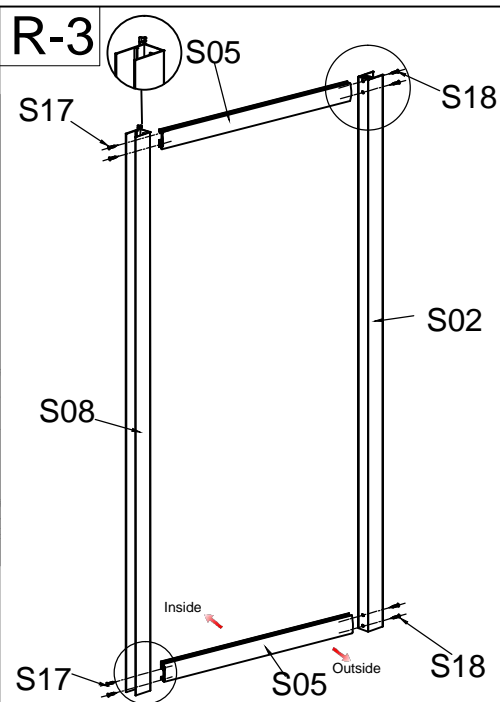
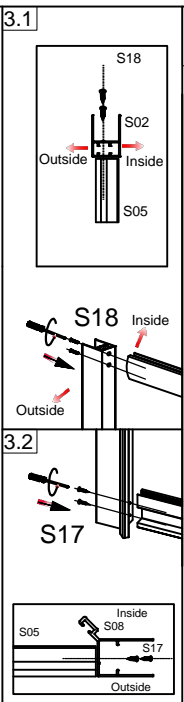
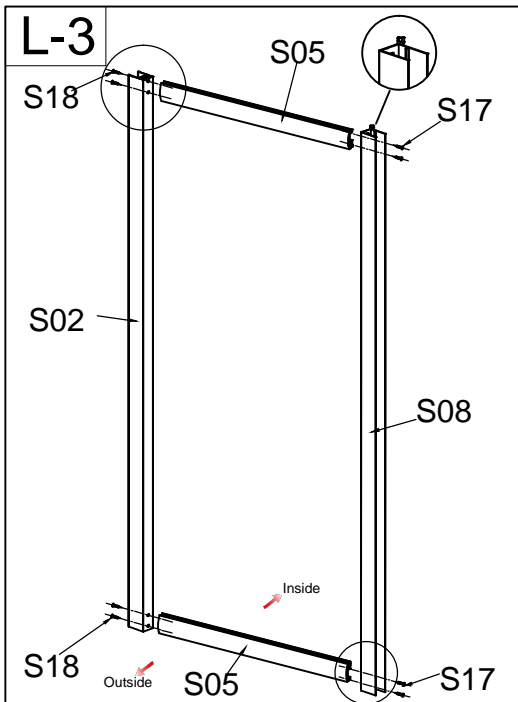


PD Series

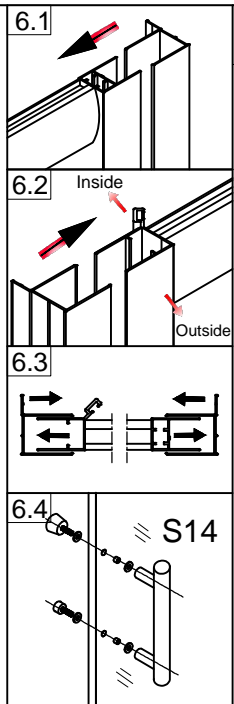
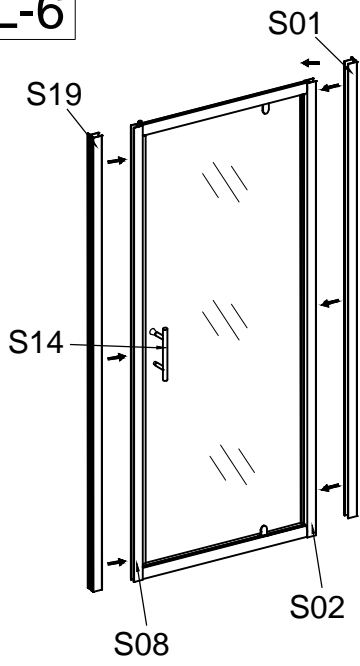


<p>S01</p> <p>the hole on here</p> <p>x1</p>	<p>S02</p> <p>x1</p>	<p>S03</p> <p>x3</p>	<p>S04</p> <p>x1</p>	<p>S05</p> <p>x2</p>	<p>S16</p> <p>x2</p>	<p>S15</p> <p>x2</p>
<p>S11</p> <p>16</p> <p>M4</p> <p>x4</p>	<p>S08</p> <p>x1</p>	<p>S14</p> <p>x1</p>	<p>S09</p> <p>10</p> <p>ST4</p> <p>x13</p>	<p>S13</p> <p>x12</p>	<p>S12</p> <p>x8</p>	<p>S18</p> <p>30</p> <p>ST4</p> <p>x4</p>
<p>S06</p> <p>x1</p>	<p>S10</p> <p>30</p> <p>ST4</p> <p>x8</p>	<p>S17</p> <p>20</p> <p>ST4</p> <p>x4</p>	<p>S19</p> <p>the hole in here</p> <p>x1</p>	<p>S20</p> <p>x2</p>	<p>S21</p> <p>x2</p>	

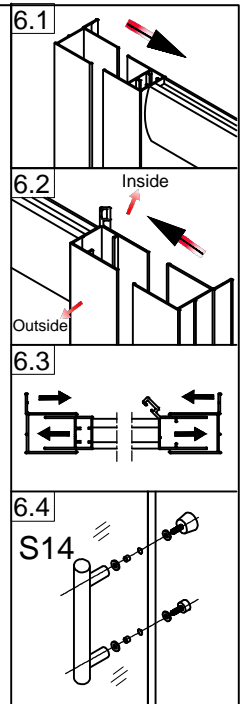
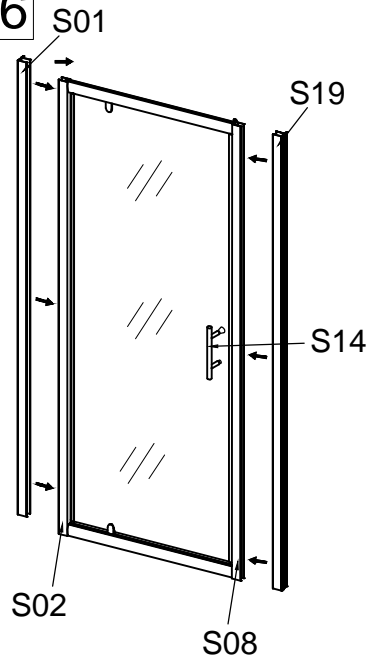




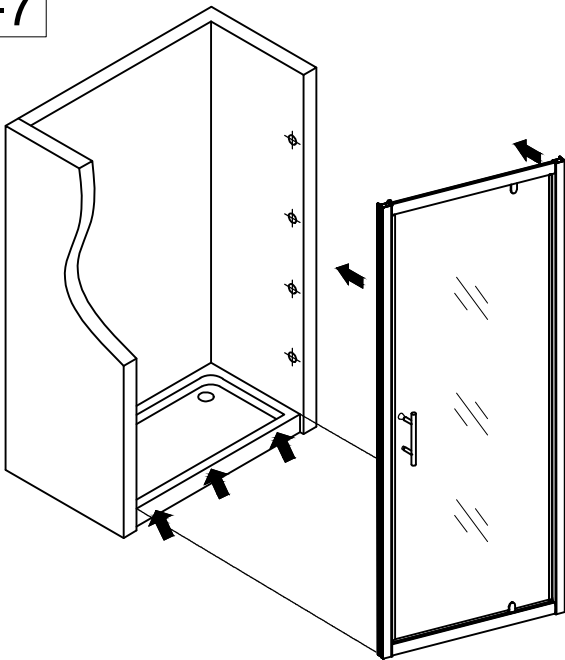
L-6



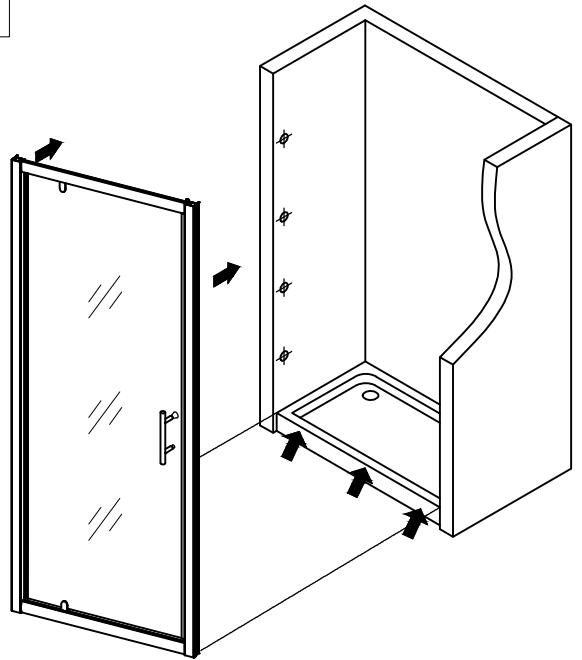
R-6



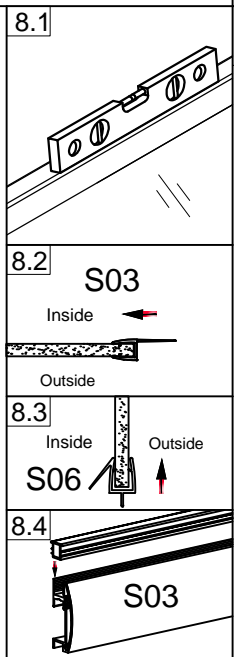
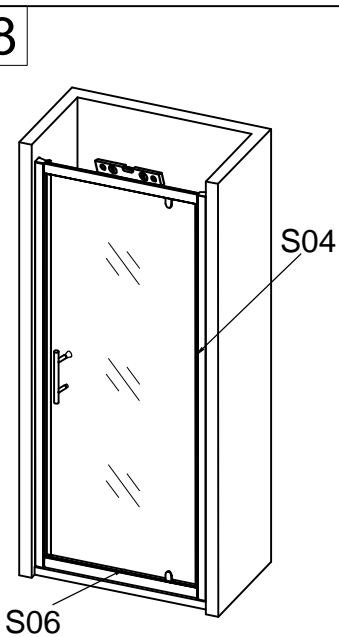
L-7



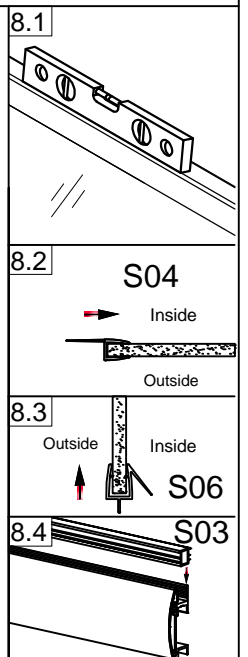
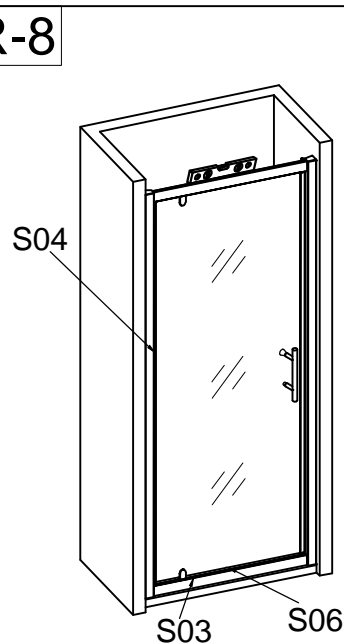
R-7



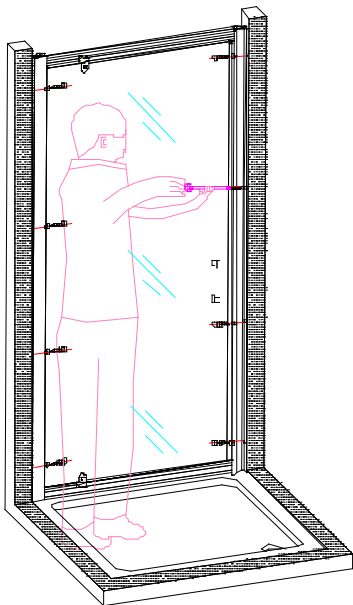
L-8



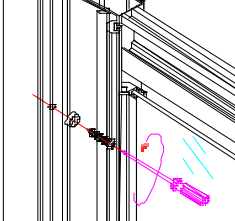
R-8



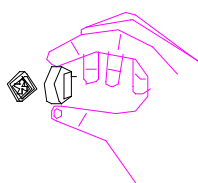
L-9



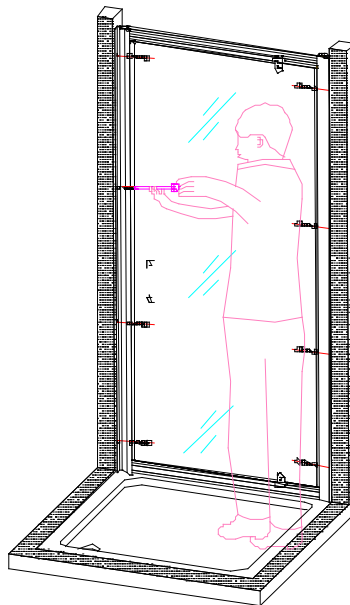
9.1 S10



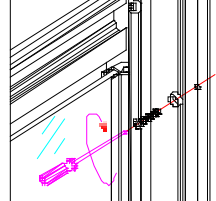
9.2 S13



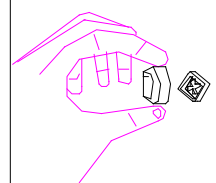
R-9



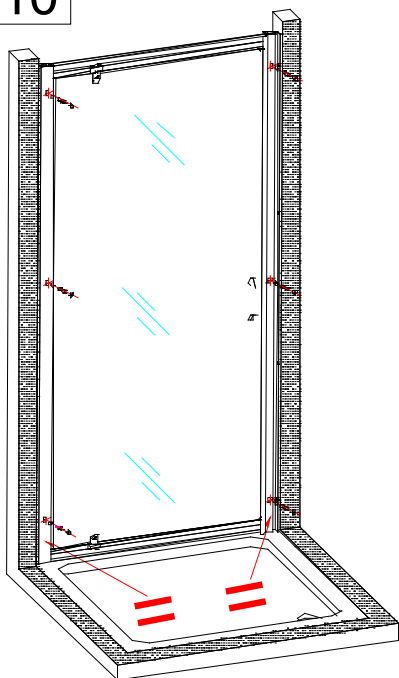
9.1 S10



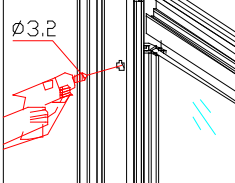
9.2 S13



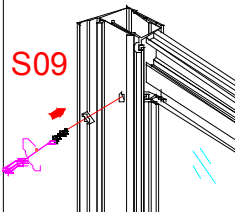
L-10



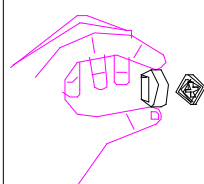
10.1



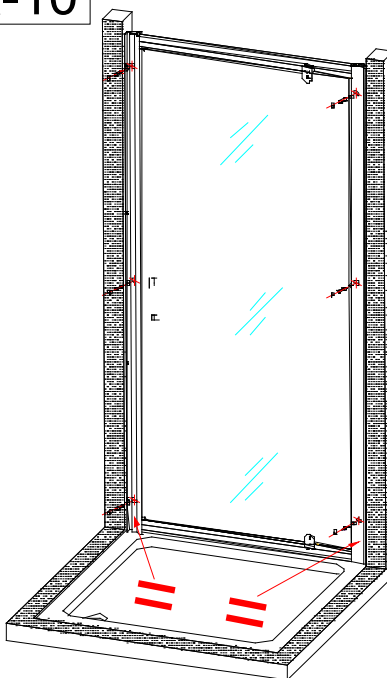
10.2



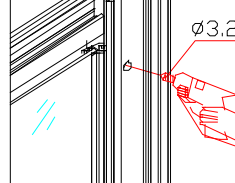
10.3 S13



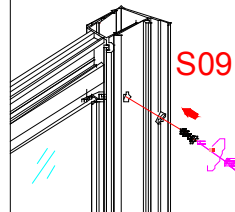
R-10



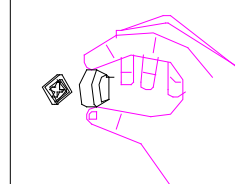
10.1



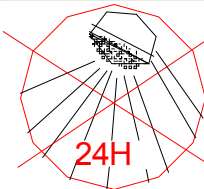
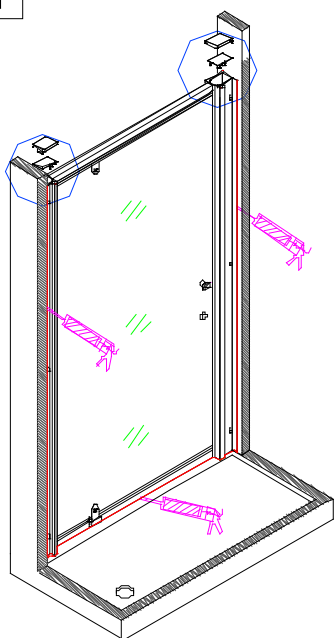
10.2



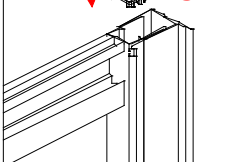
10.3 S13



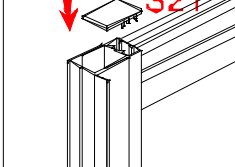
L-11



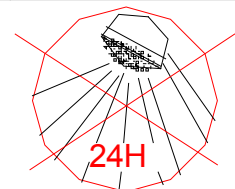
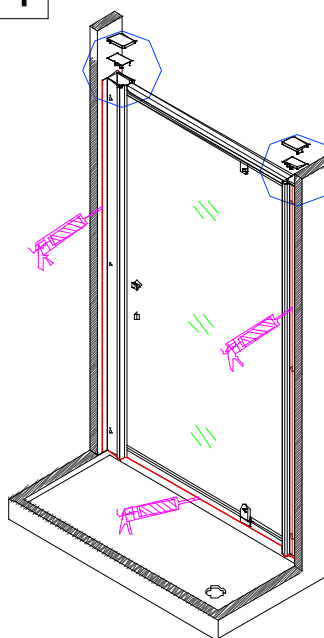
11.1 S20 S21



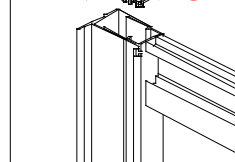
11.2 S20 S21



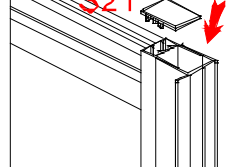
R-11



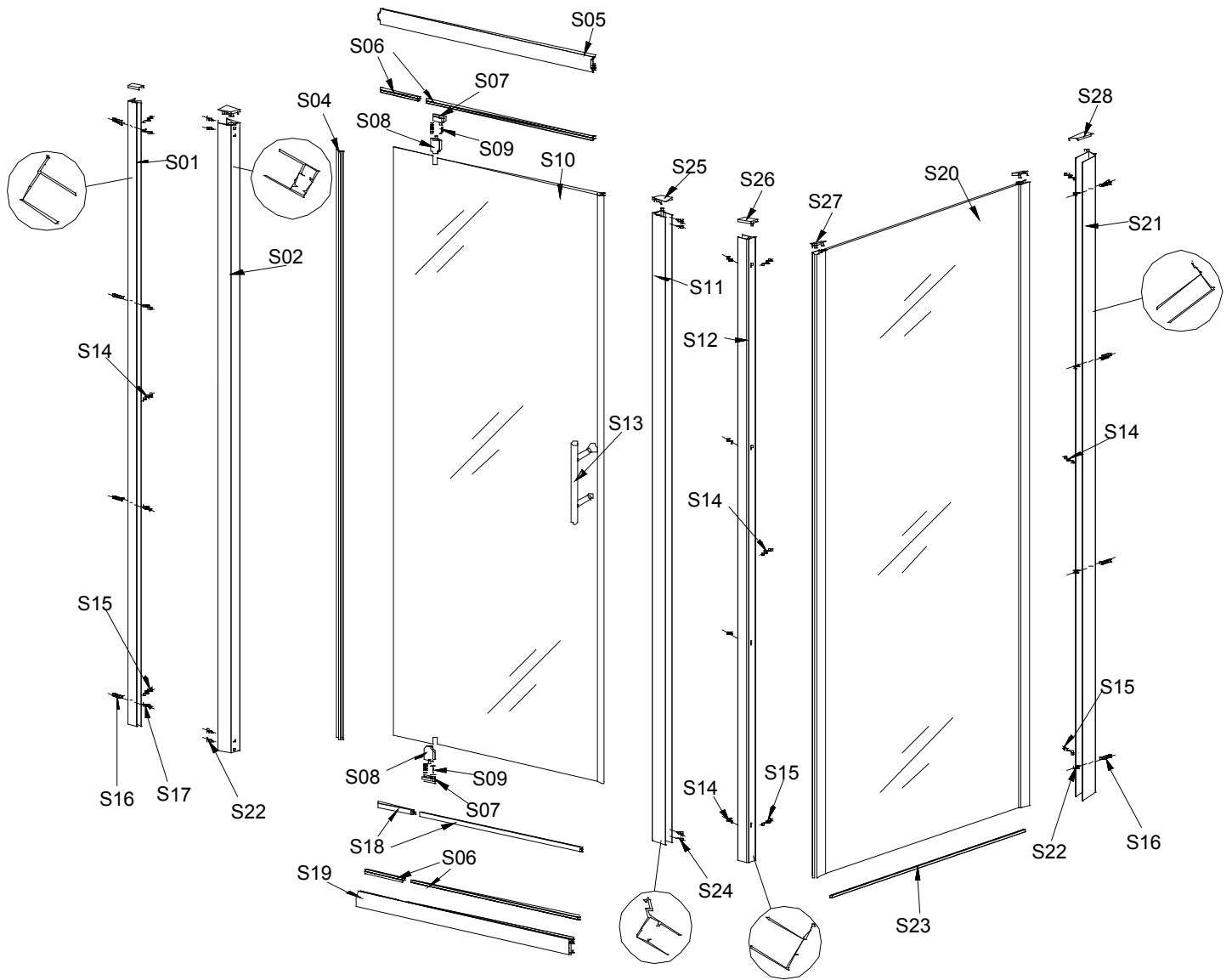
11.1 S20 S21



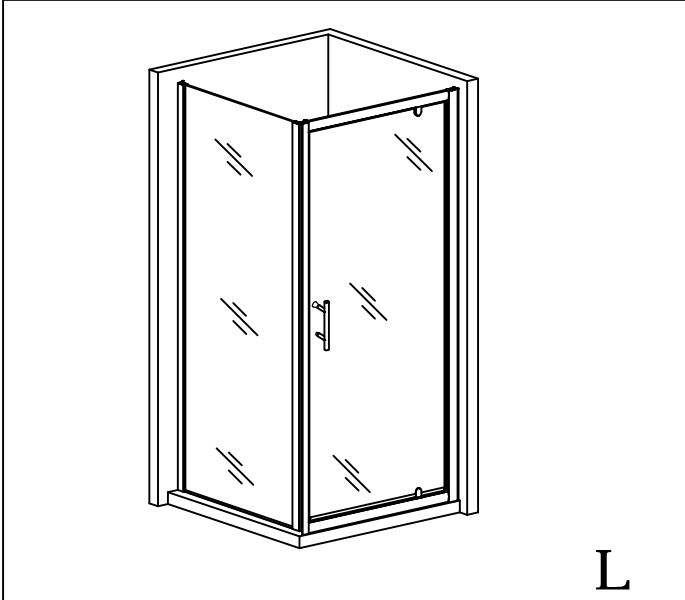
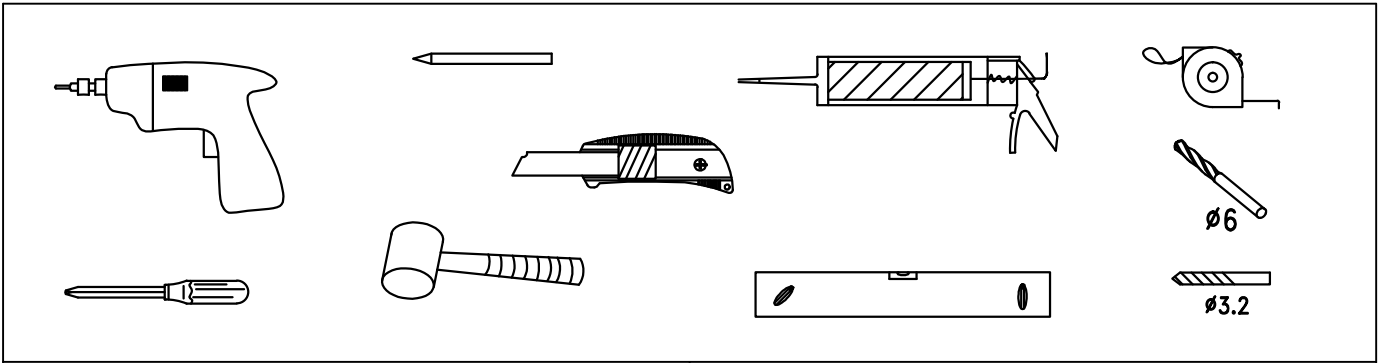
11.2 S20 S21



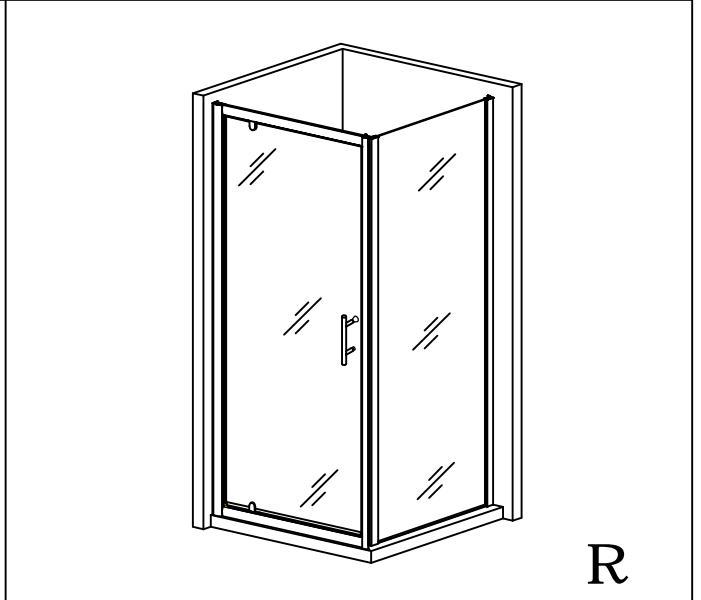
PD Series+Side panel



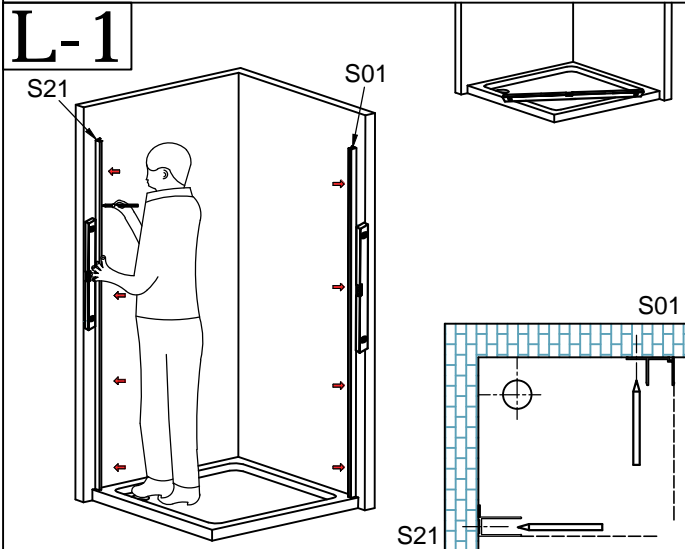
<p>S01</p> <p>the hole on here</p> <p>x1</p>	<p>S02</p> <p>x1</p>	<p>S06</p> <p>x3</p>	<p>S04</p> <p>x1</p>	<p>S05</p> <p>S19</p> <p>x2</p>	<p>S07</p> <p>x2</p>	<p>S08</p> <p>x2</p>
<p>S09</p> <p>x4</p>	<p>S11</p> <p>x1</p>	<p>S13</p> <p>x1</p>	<p>S14</p> <p>x13</p>	<p>S15</p> <p>x12</p>	<p>S16</p> <p>x8</p>	<p>S17</p> <p>x4</p>
<p>S18</p> <p>x1</p>	<p>S21</p> <p>x1</p>	<p>S22</p> <p>x8</p>	<p>S23</p> <p>x1</p>	<p>S24</p> <p>x4</p>	<p>S12</p> <p>the hole in here</p> <p>x1</p>	<p>S25</p> <p>x2</p>
<p>S26</p> <p>x2</p>	<p>S27</p> <p>x2</p>	<p>S28</p> <p>x1</p>				



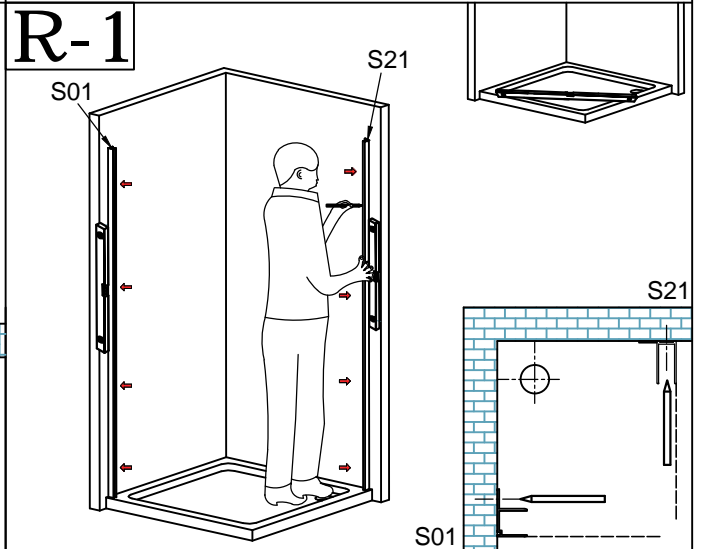
L



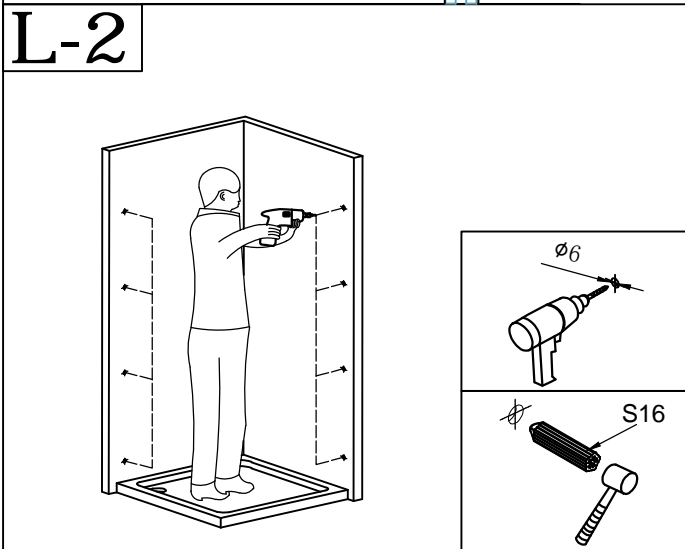
R



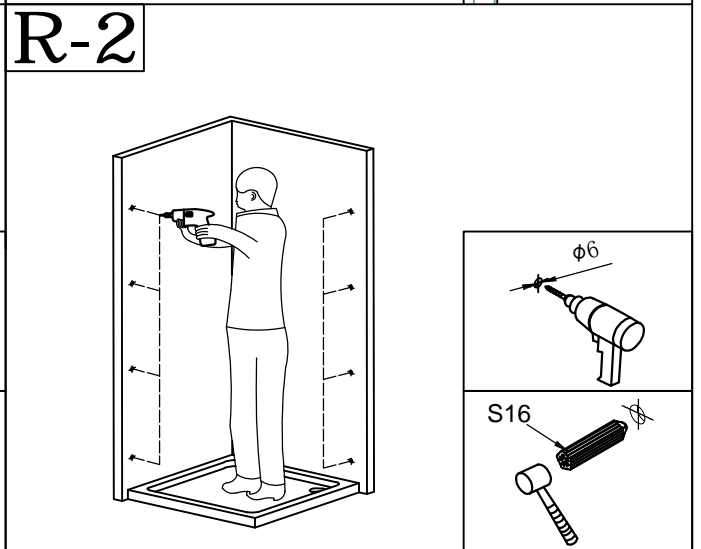
L-1



R-1

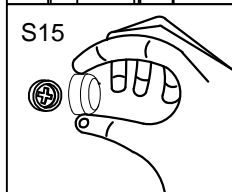
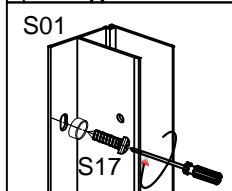
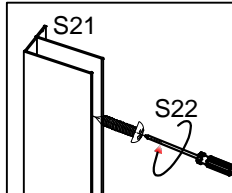
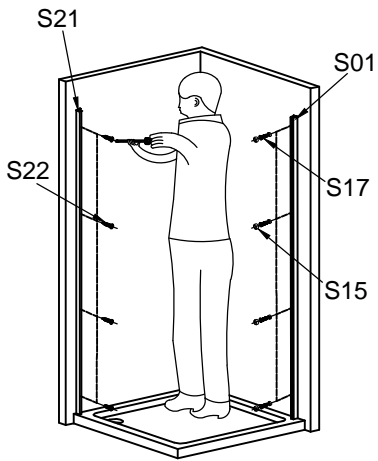


L-2

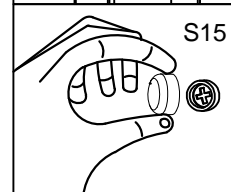
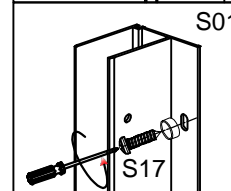
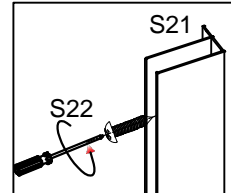
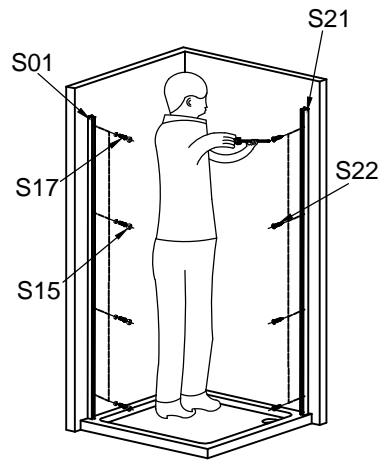


R-2

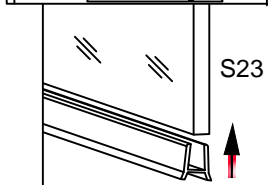
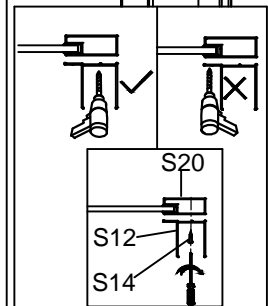
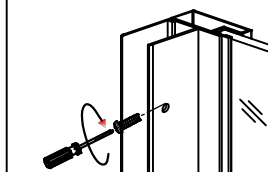
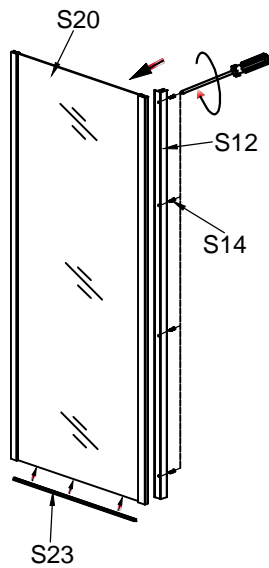
L-3



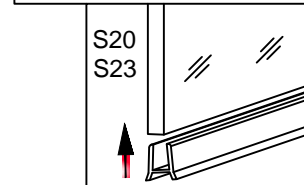
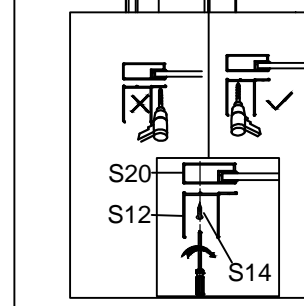
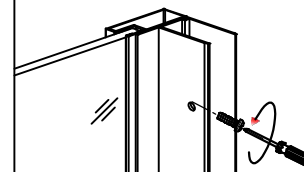
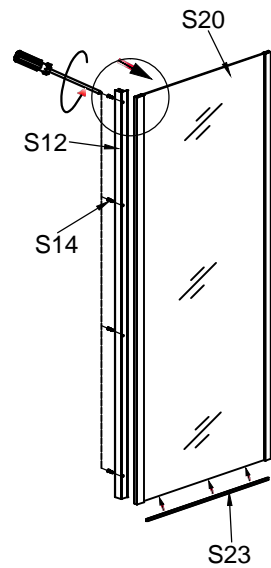
R-3



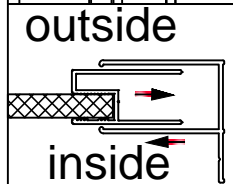
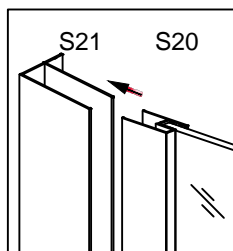
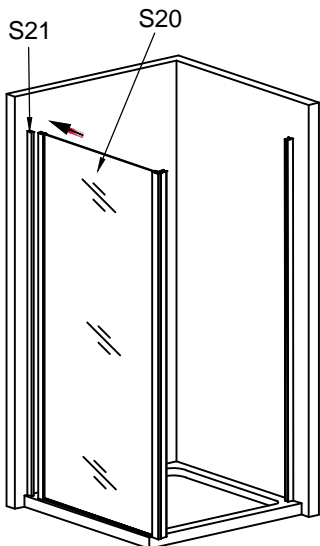
L-4



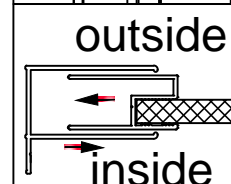
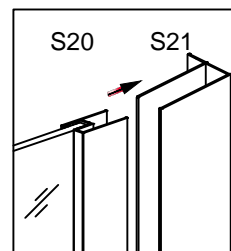
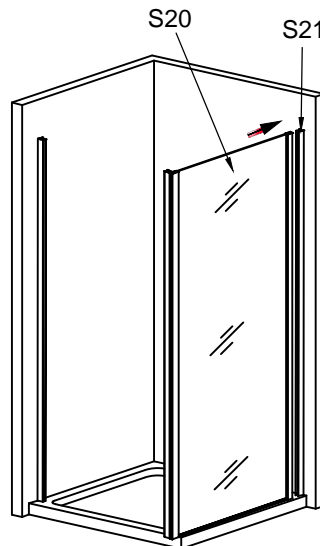
R-4



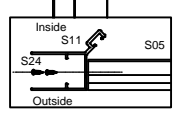
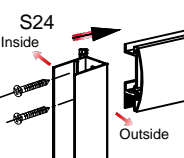
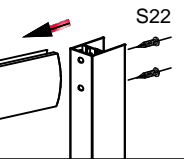
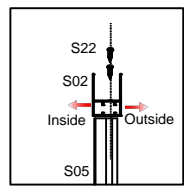
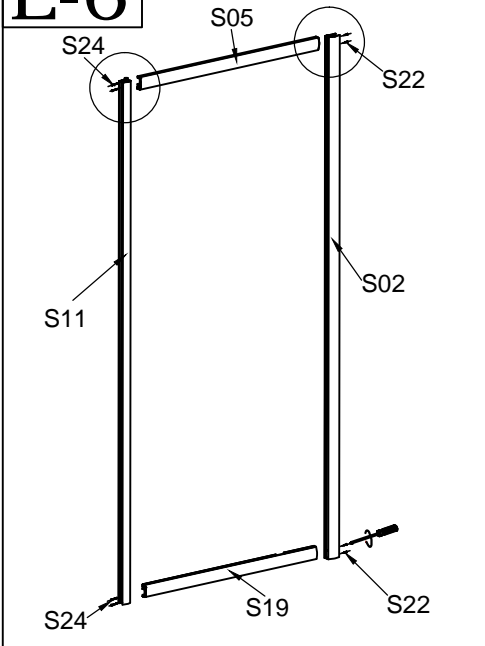
L-5



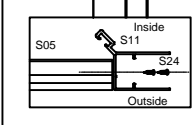
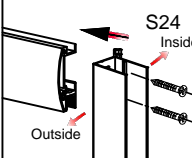
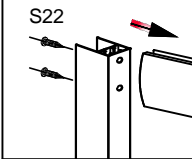
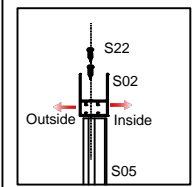
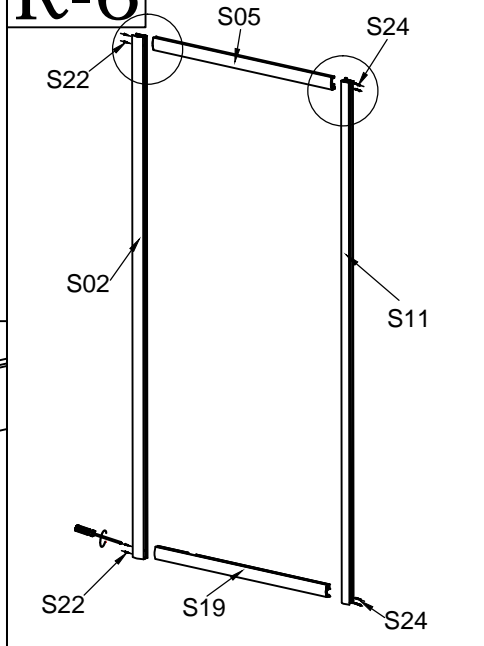
R-5



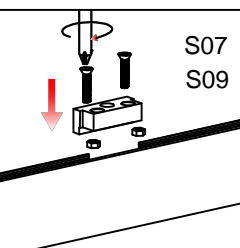
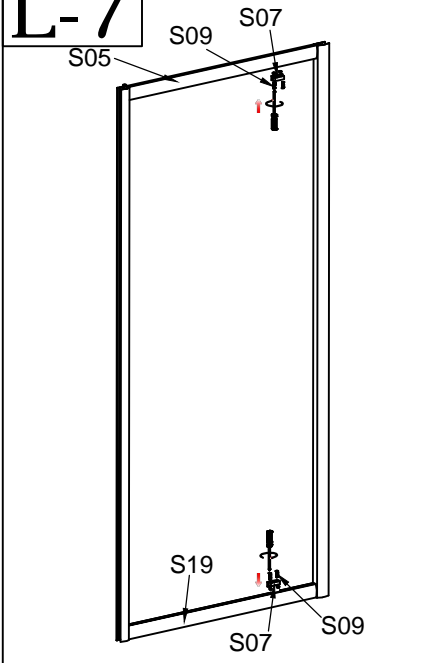
L-6



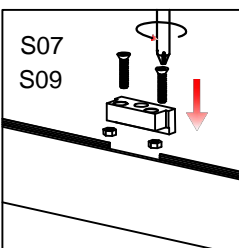
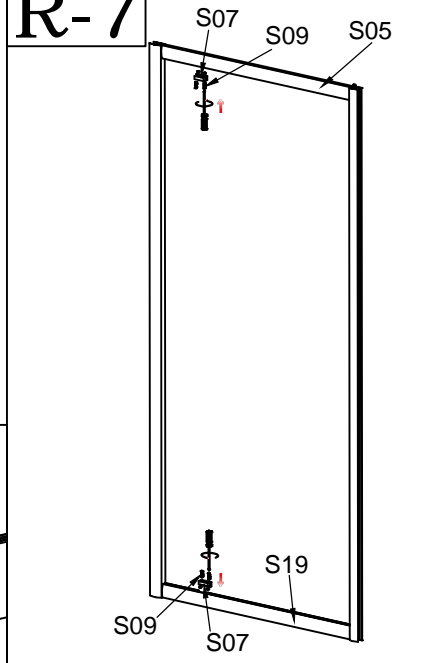
R-6



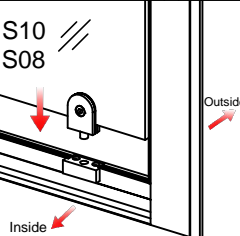
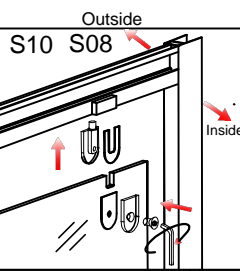
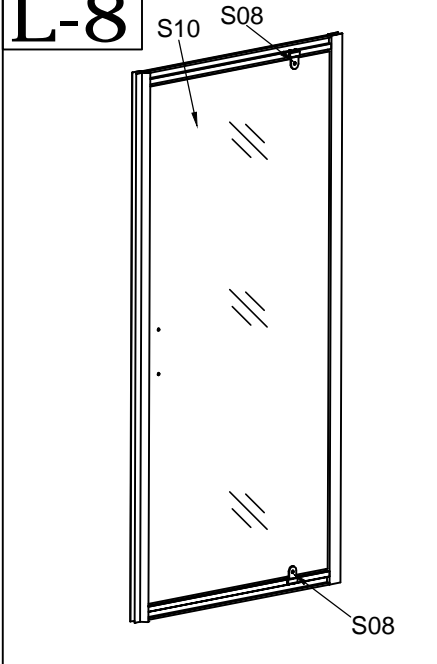
L-7



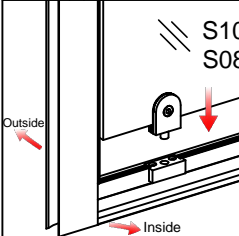
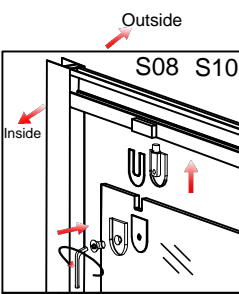
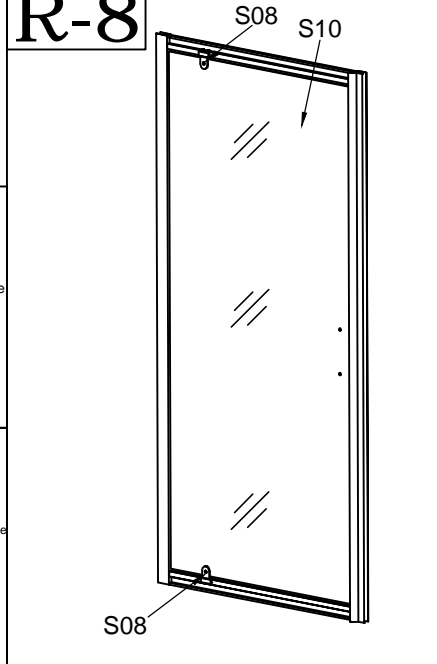
R-7



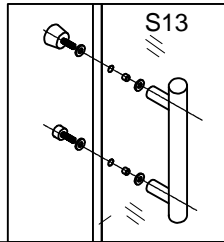
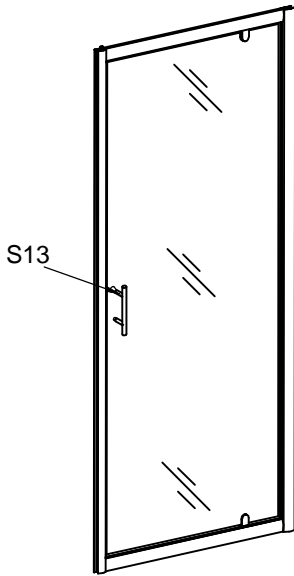
L-8



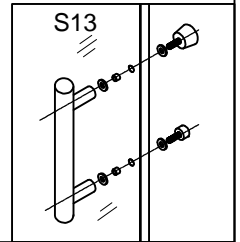
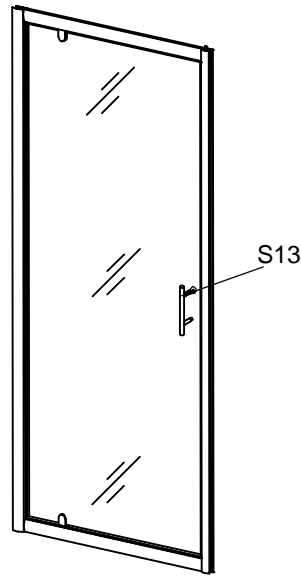
R-8



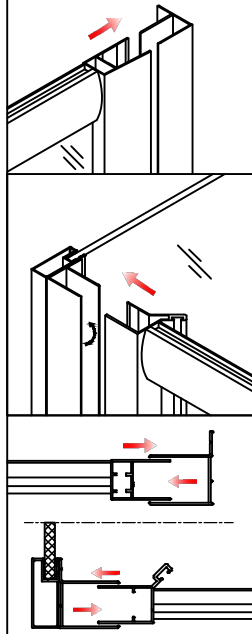
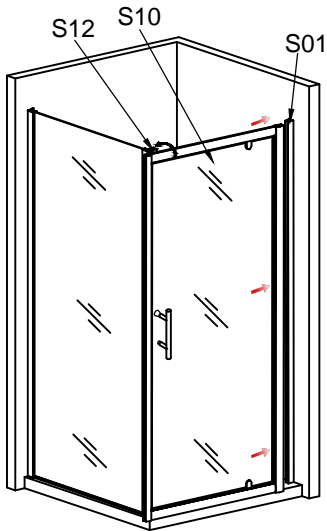
L-9



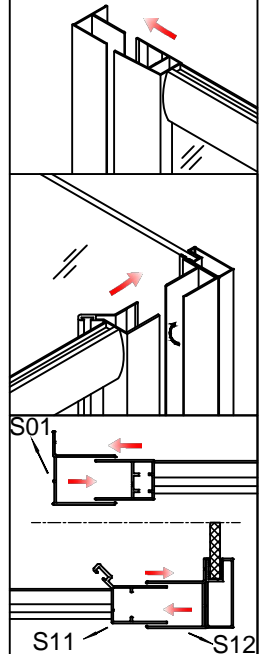
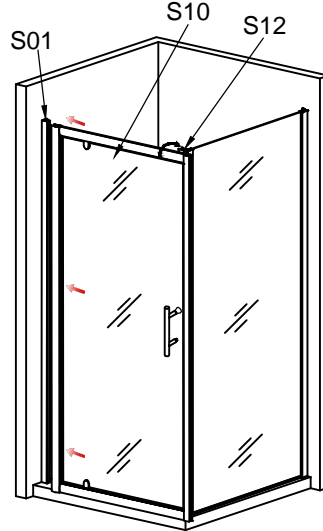
R-9



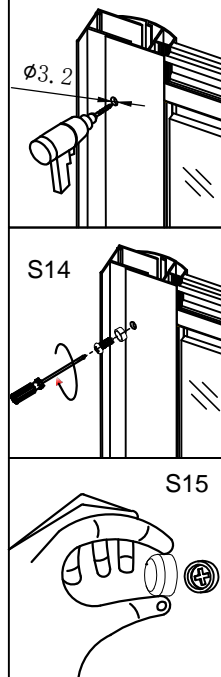
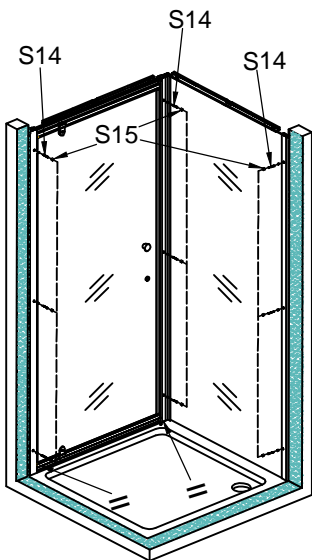
L-10



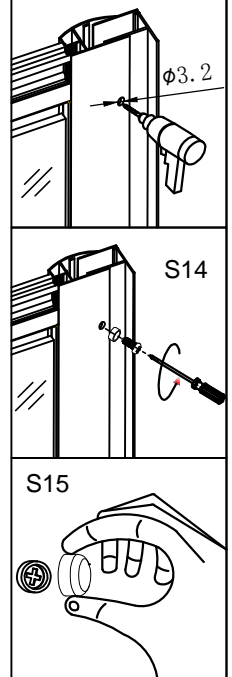
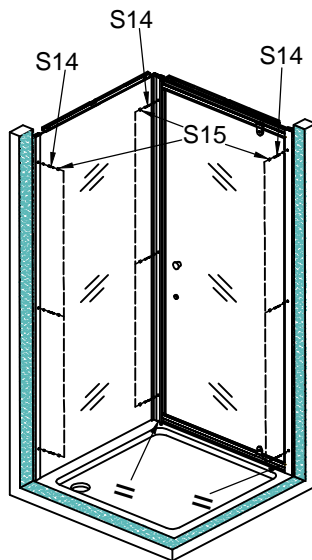
R-10



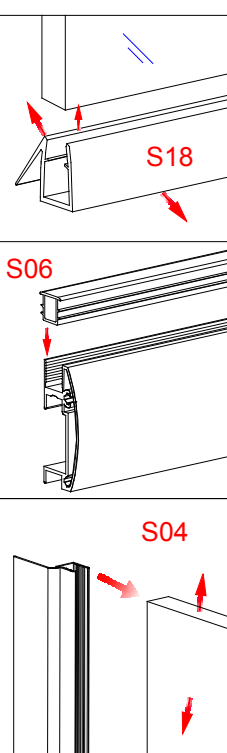
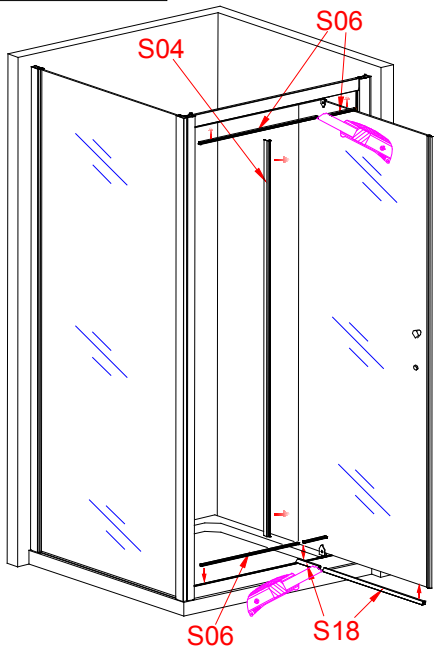
L-11



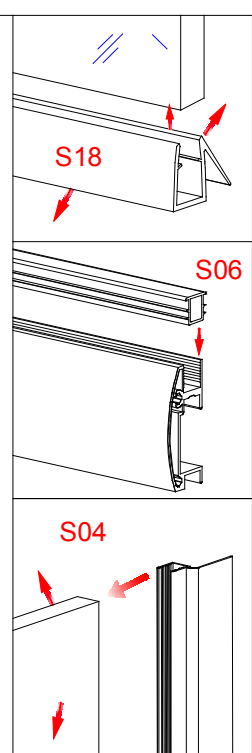
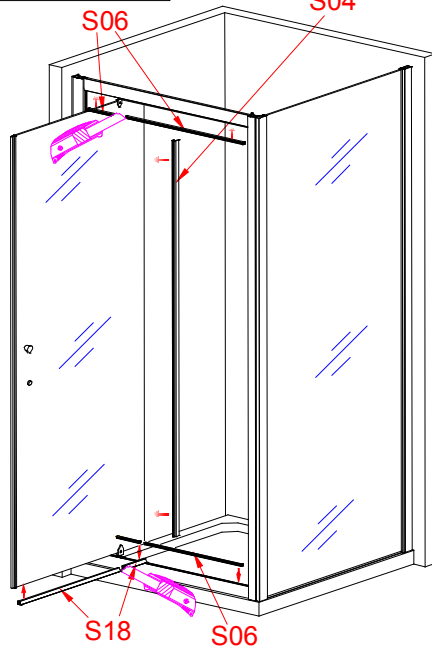
R-11



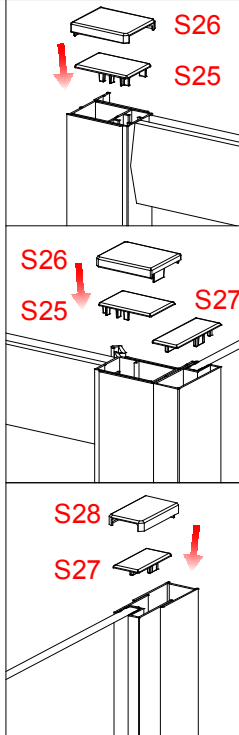
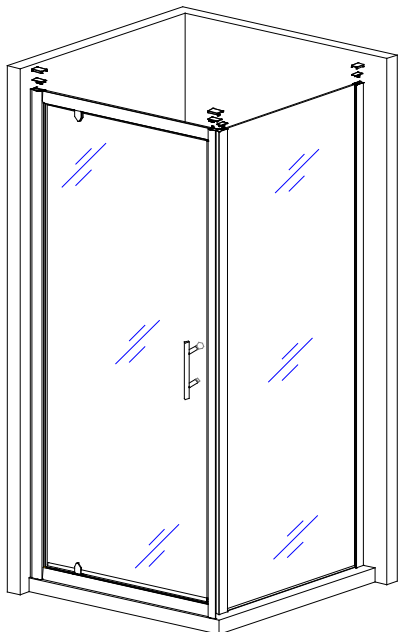
L-1 2



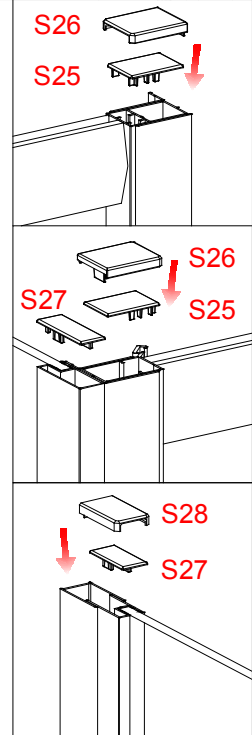
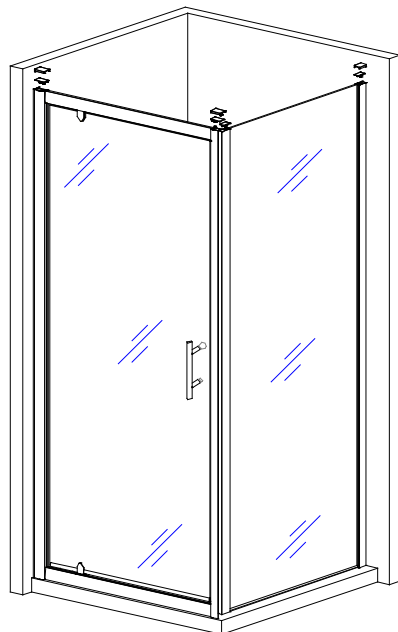
R-1 2



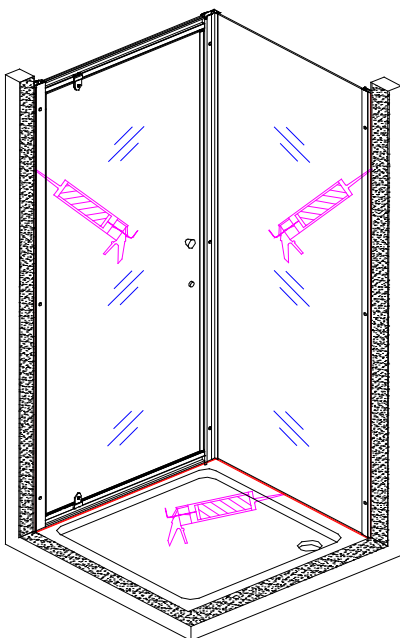
L-1 3



R-1 3



L-1 4



R-1 4

