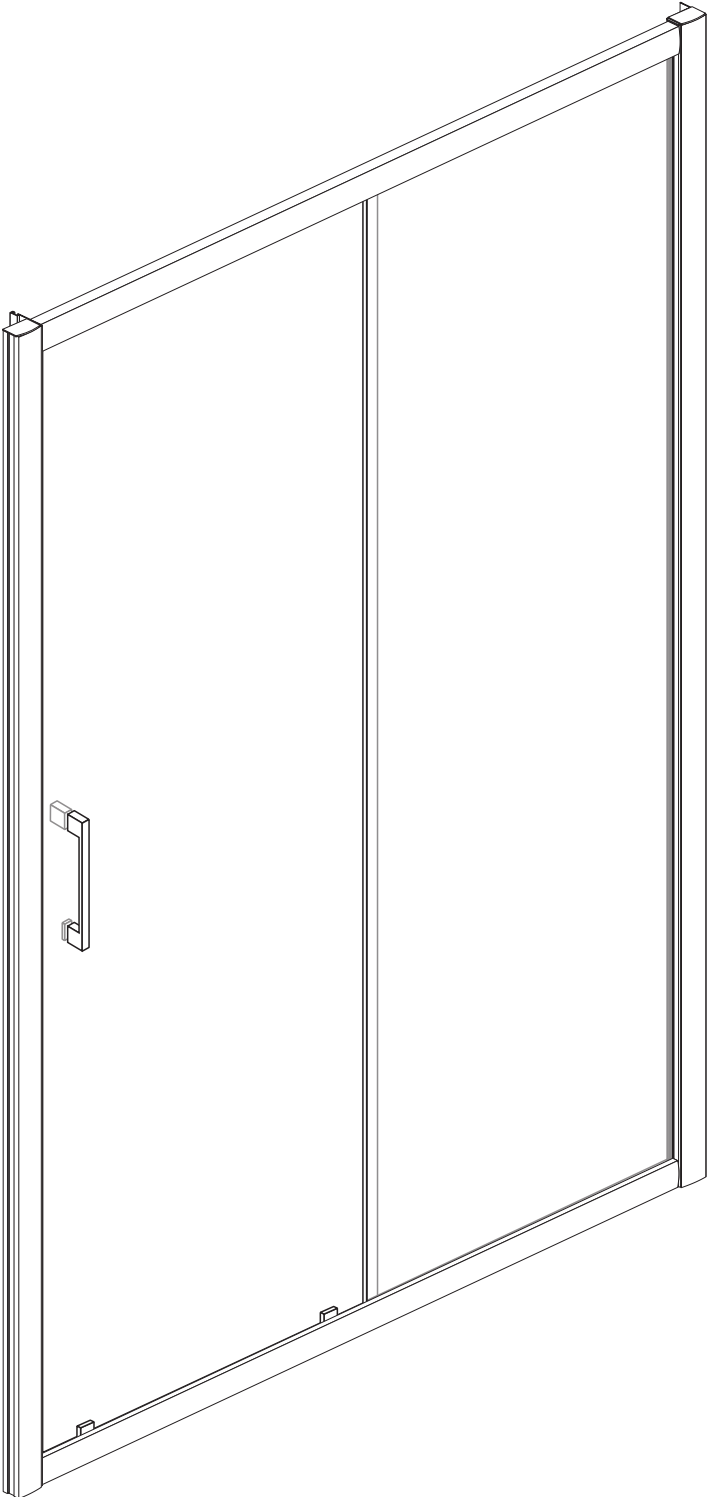
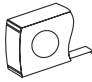


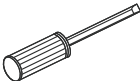
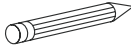
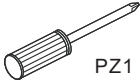

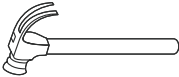
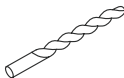



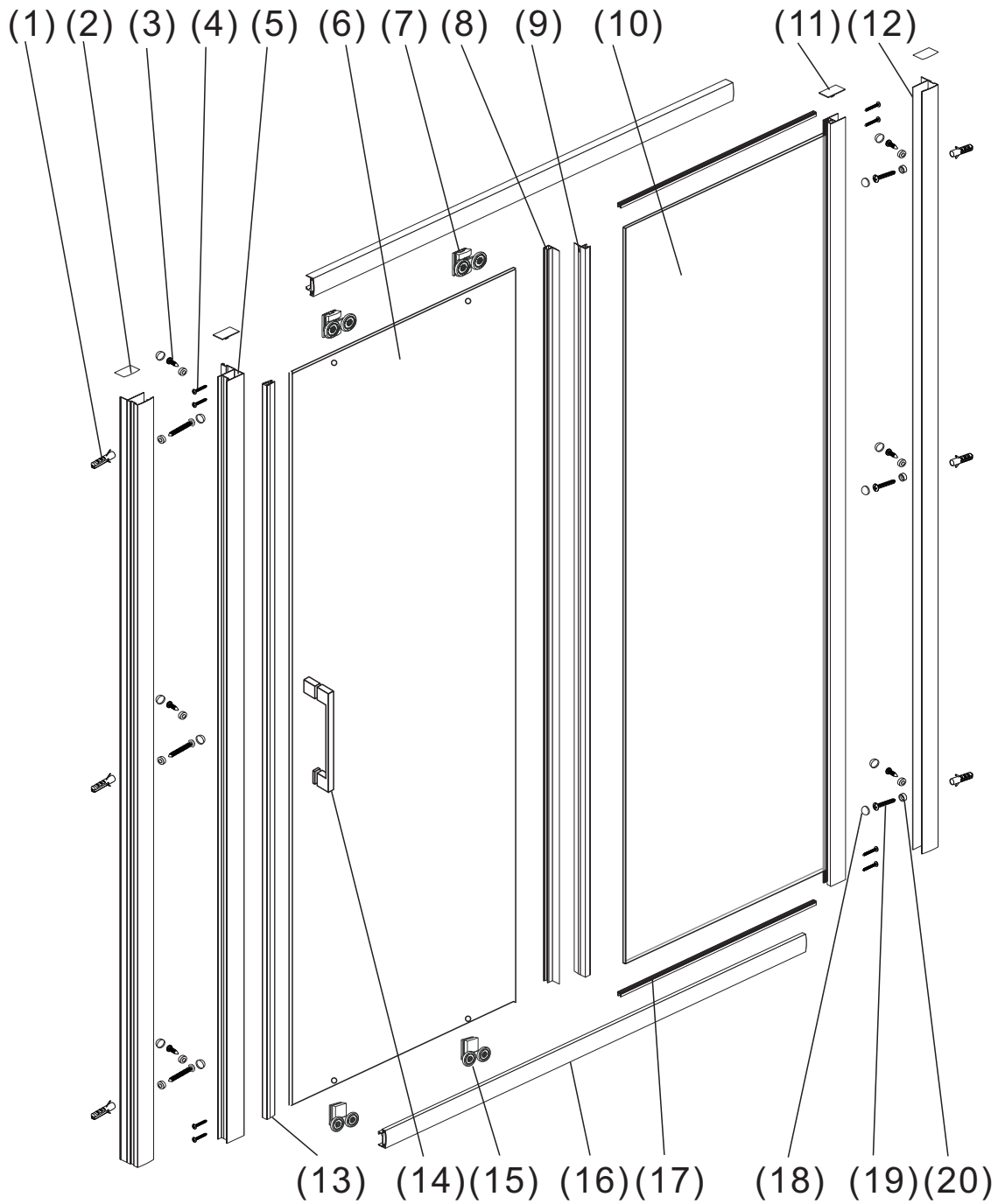
8mm SINGLE SLIDING DOOR



TOOLS REQUIRED

DESCRIPTION	PART IMAGE	DESCRIPTION	PART IMAGE
Tape measure		Drill	
Spirit level		Flat-head Screwdriver	
Pencil		Cross head Screwdriver	 PZ1
Ø6mm Drill bit		Hammer	
Ø3mm Drill bit		Silicone Sealant	

ASSEMBLY INSTRUCTIONS-DRAWING

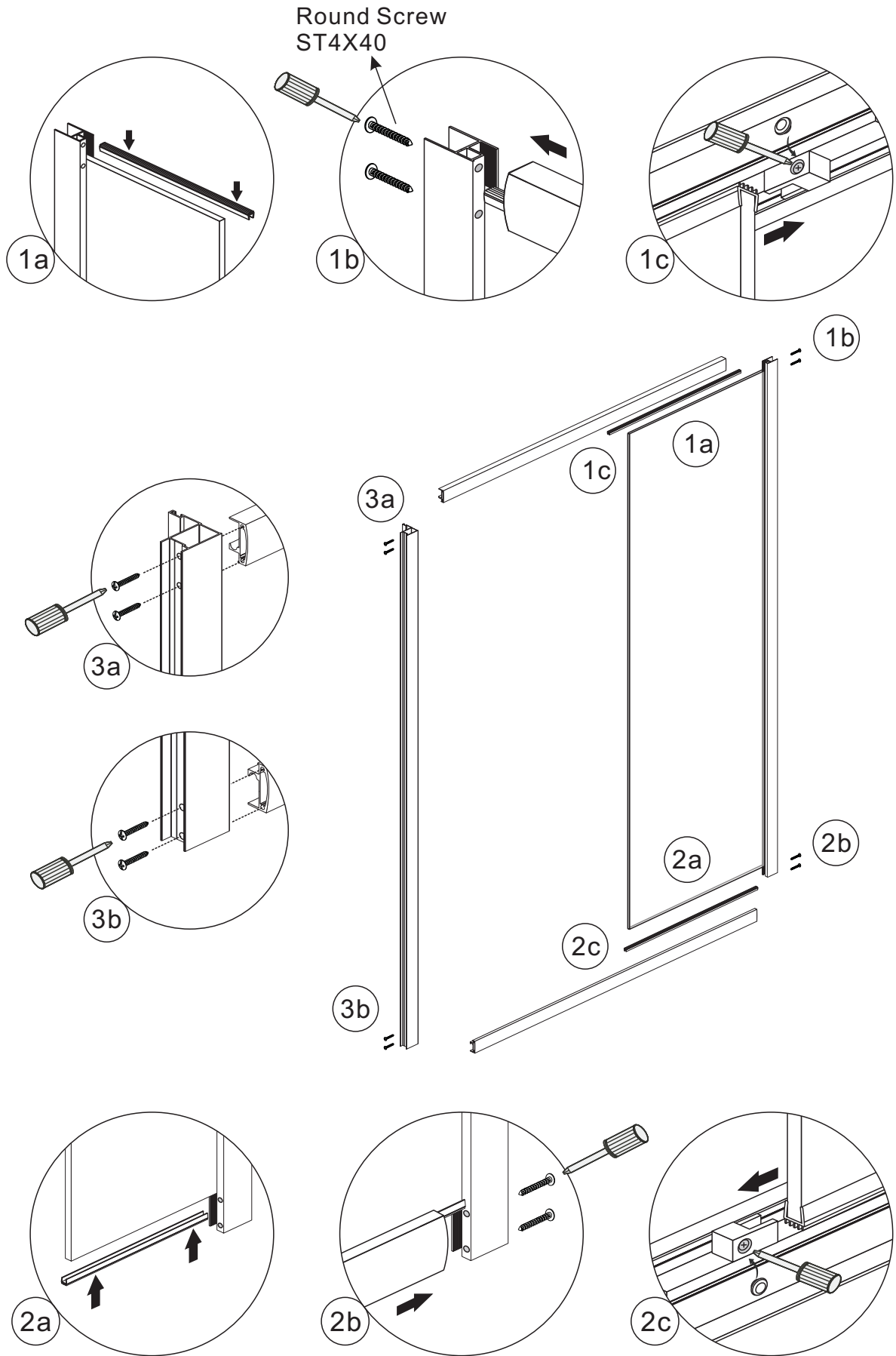


- (1) 6x Wall Plugs
- (2) 2x Wall Profile Cover Caps
- (3) 6x Screws 4x12
- (4) 8x Screws 4x40
- (5) 1x Upright Magnet Profile
- (6) 1x Moving Panel
- (7) 2x Top Rollers
- (8) 1x Moving Panel Seal
- (9) 1x Fixed Panel Seal
- (10) 1x Fixed Panel

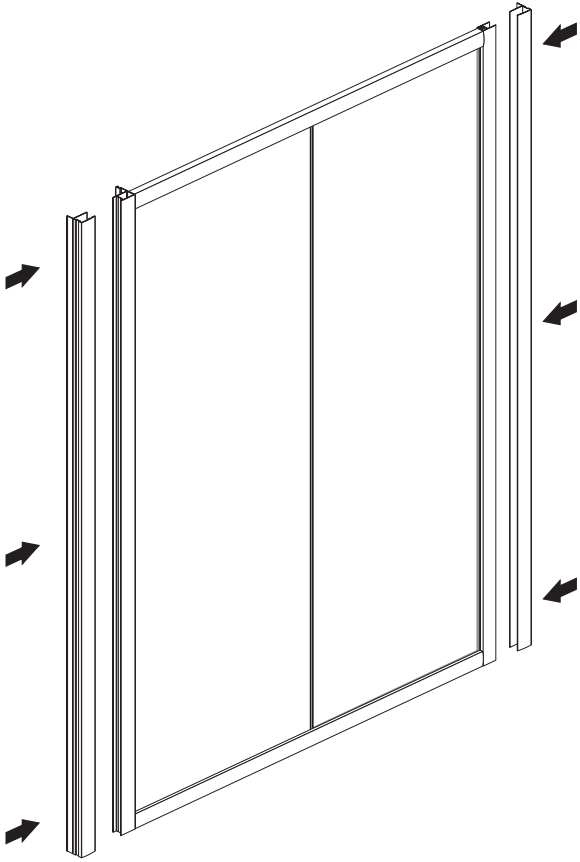
- (11) 2x Upright Profile Cover Caps
- (12) 2x Wall Profiles
- (13) 1x Magnet Seal
- (14) 1x Handle
- (15) 2x Bottom Rollers
- (16) 2x Top And Bottom Profiles
- (17) 2x Bottom Seals
- (18) 12x Screw Cover Caps
- (19) 6x Screws 4x30
- (20) 12x Screw Cover Clips

ASSEMBLY INSTRUCTIONS

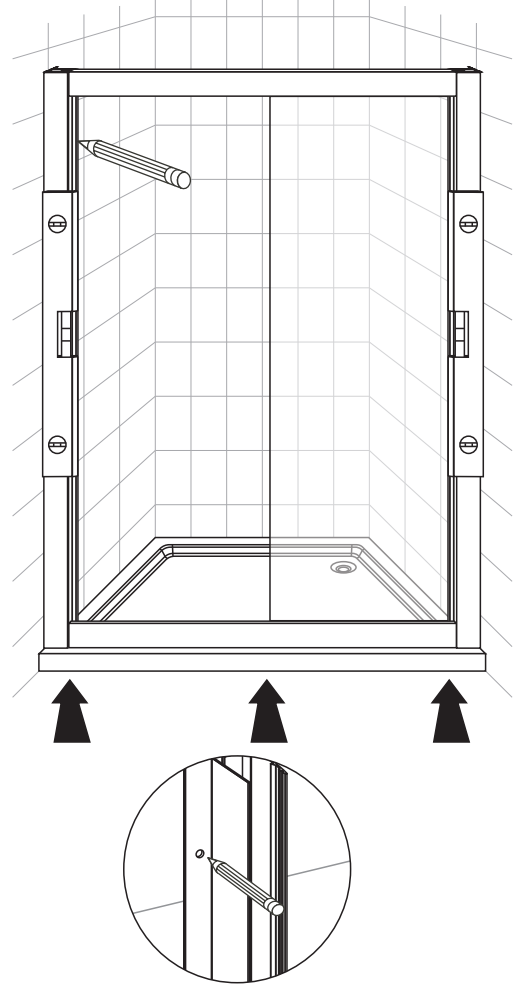
Step 1



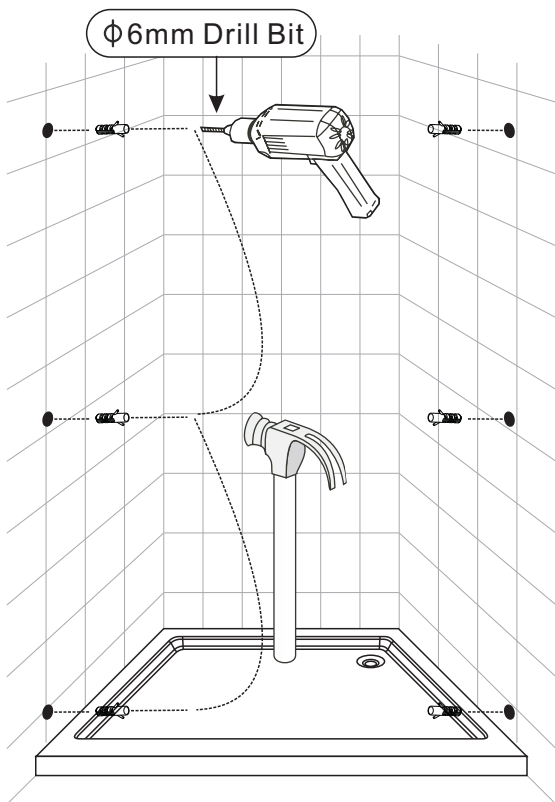
Step2



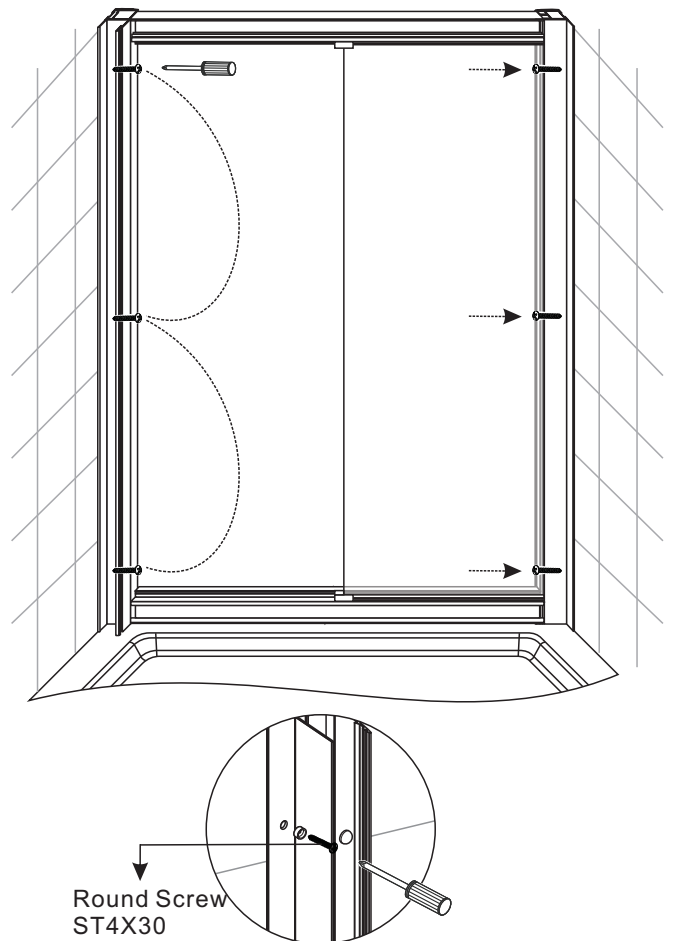
Step3



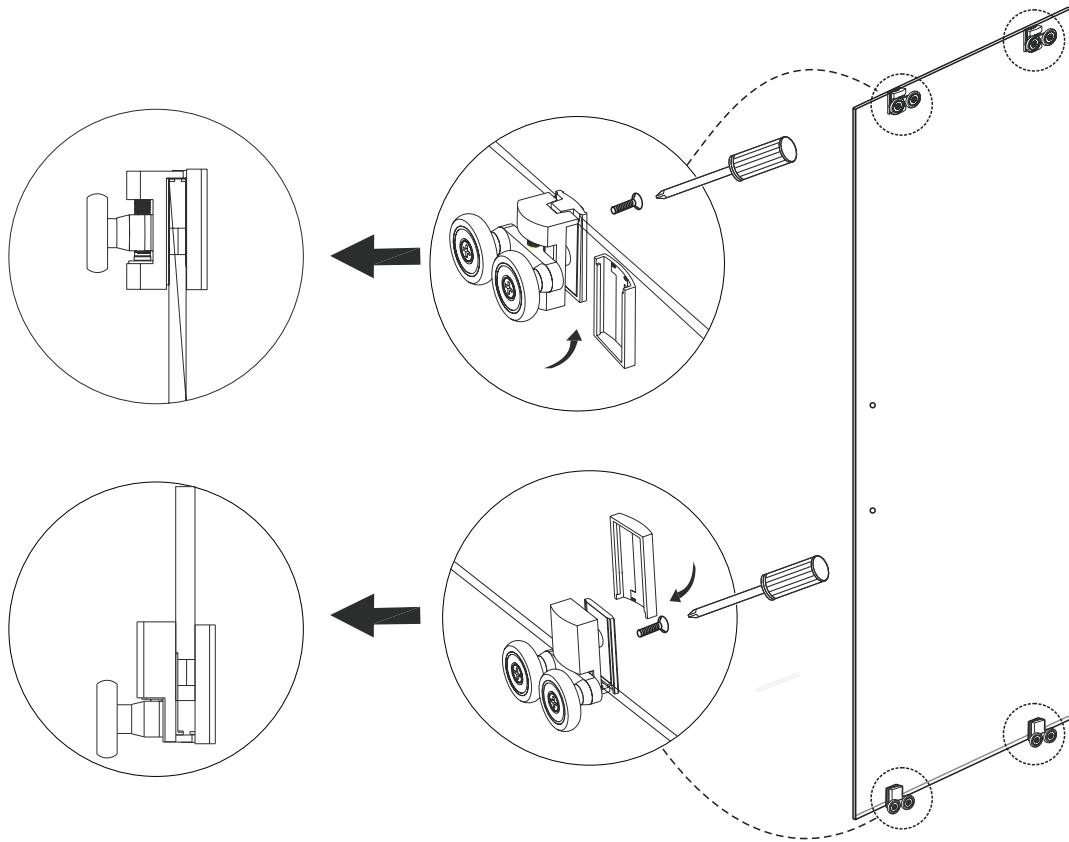
Step4



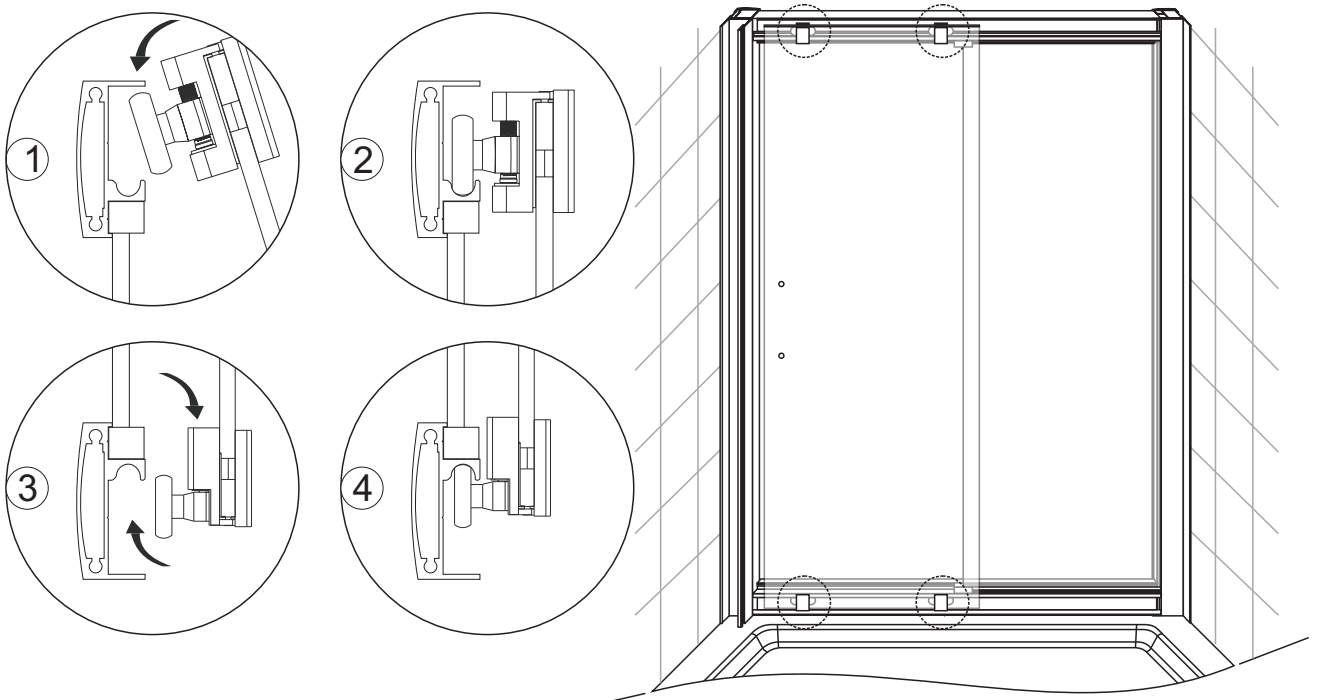
Step5



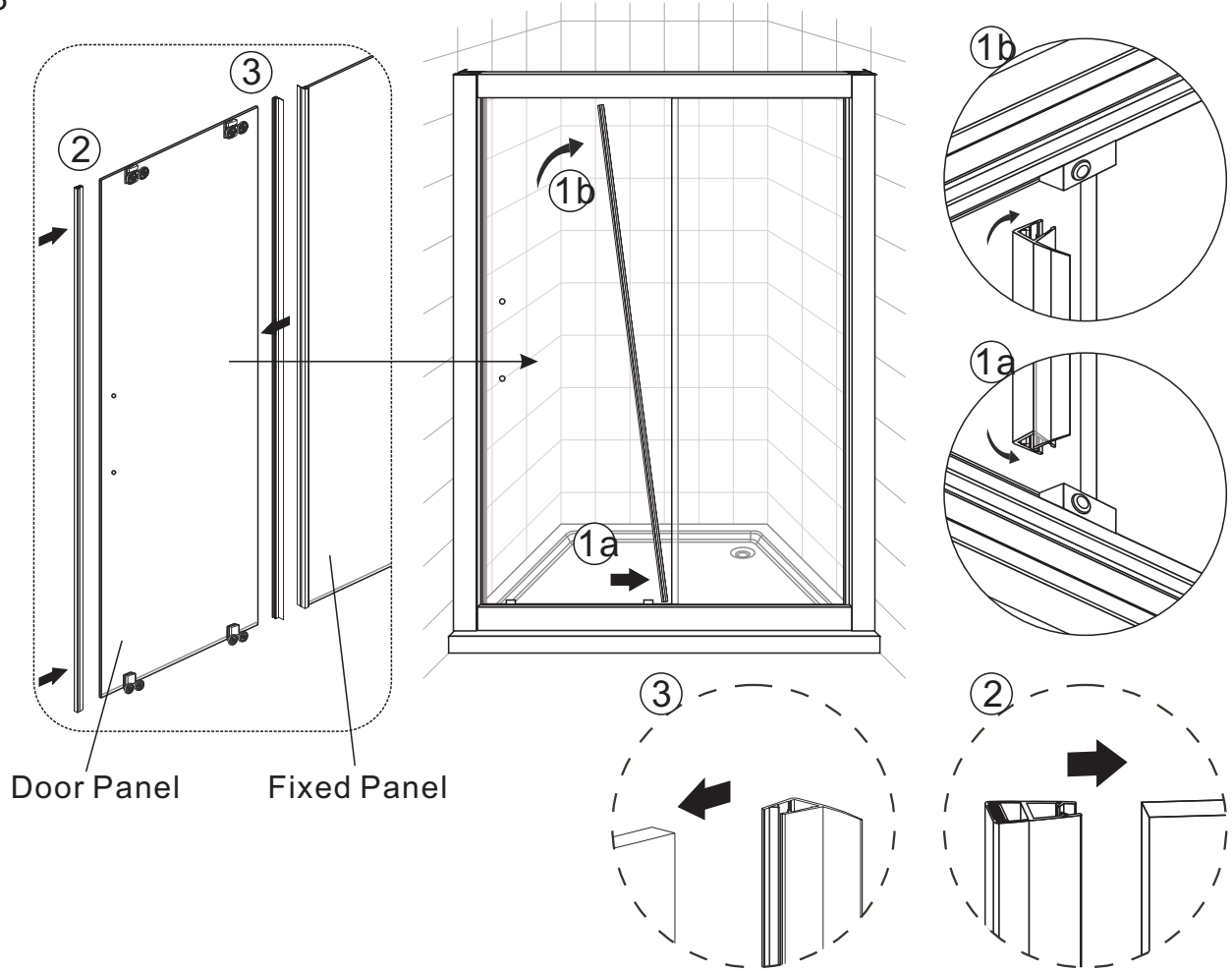
Step 6



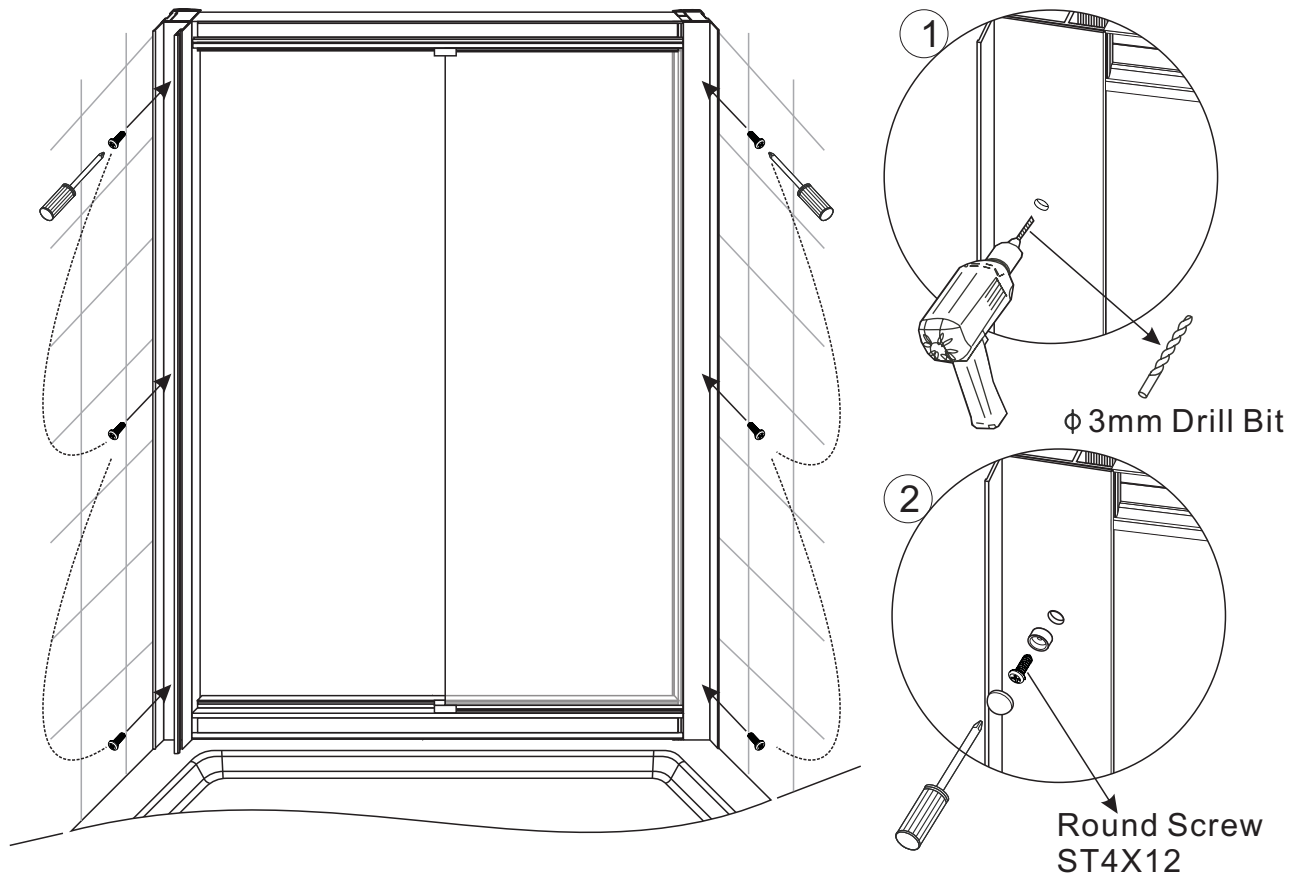
Step 7



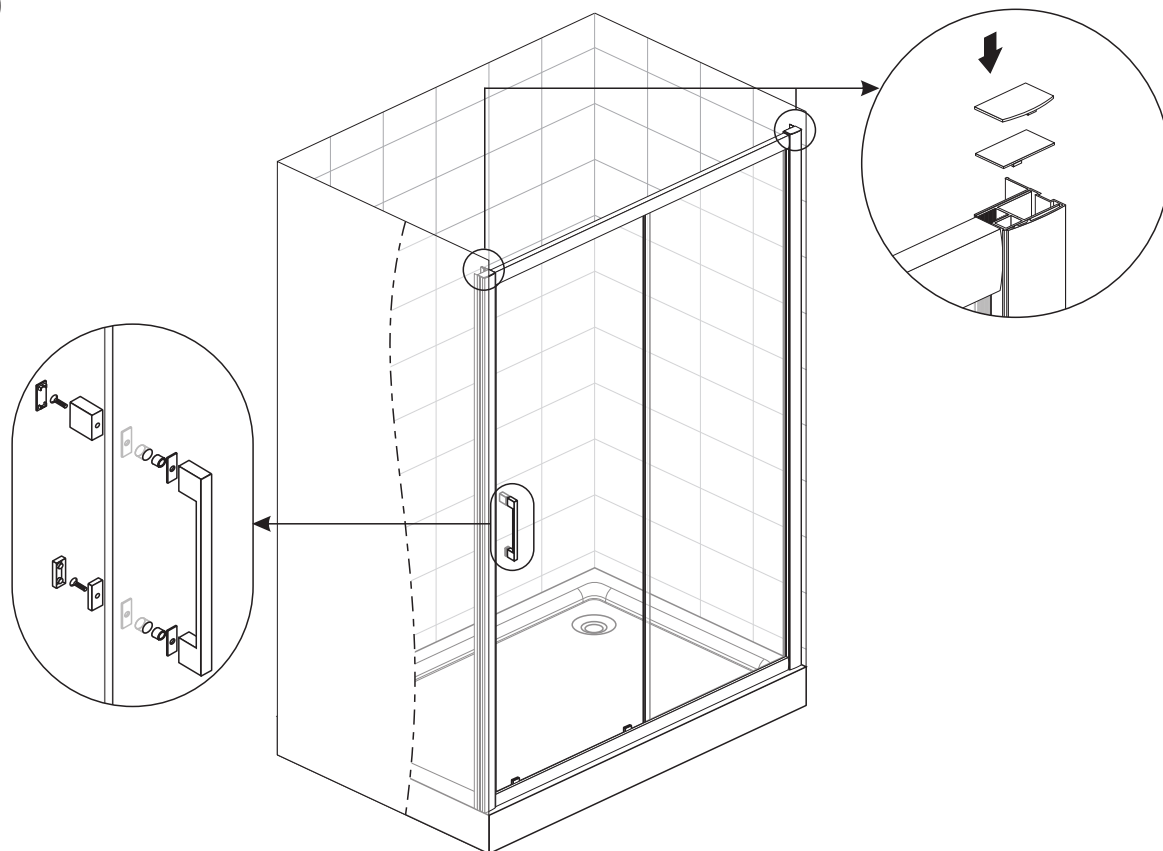
Step8



Step9



Step 10



Step 11

