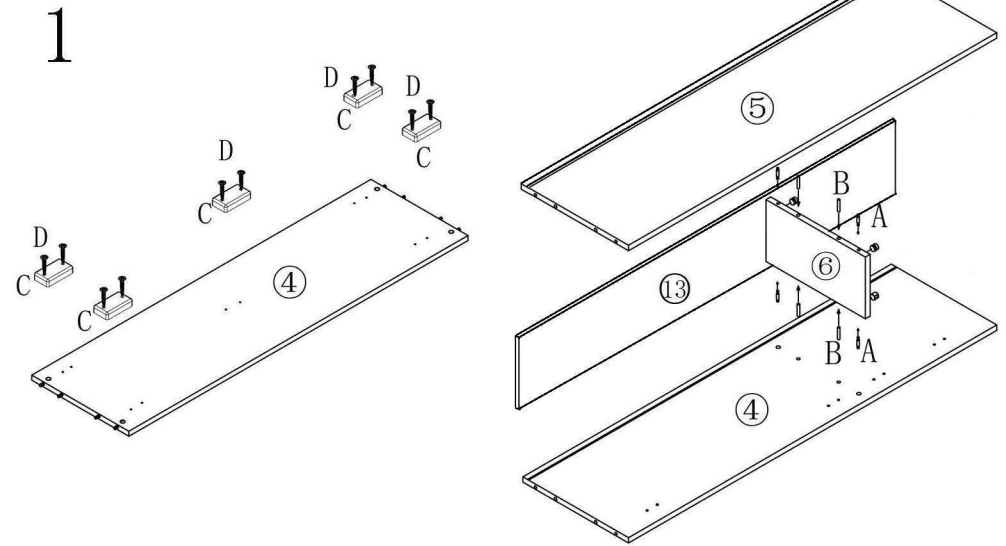
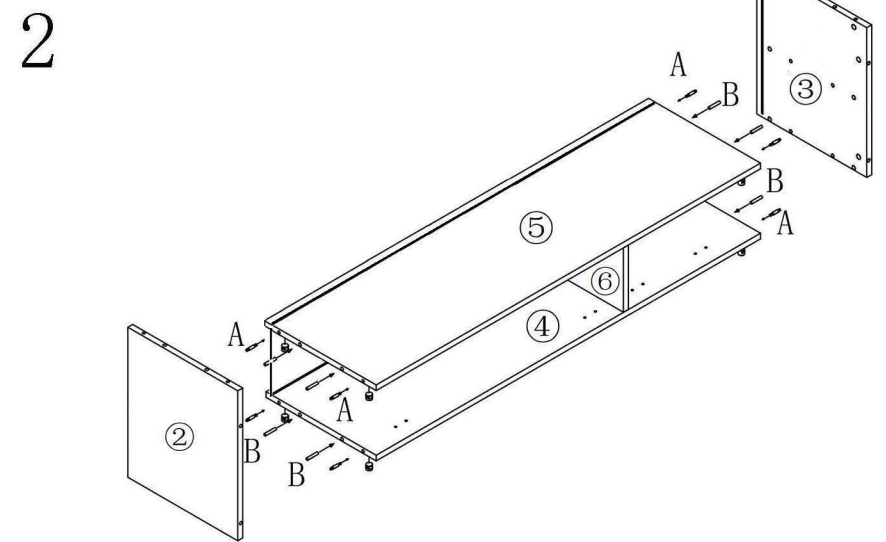
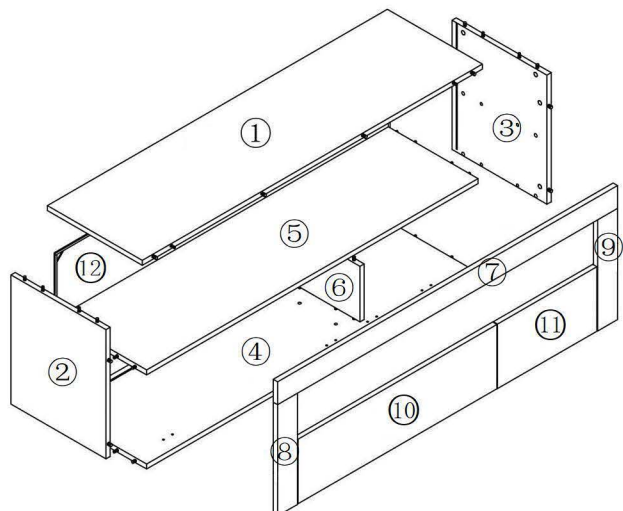


TVS005B
TVS005W



Ax24	Bx18	Cx5	Dx10	Ex8	Fx4	Gx54	Hx2
Ix7	Jx1						

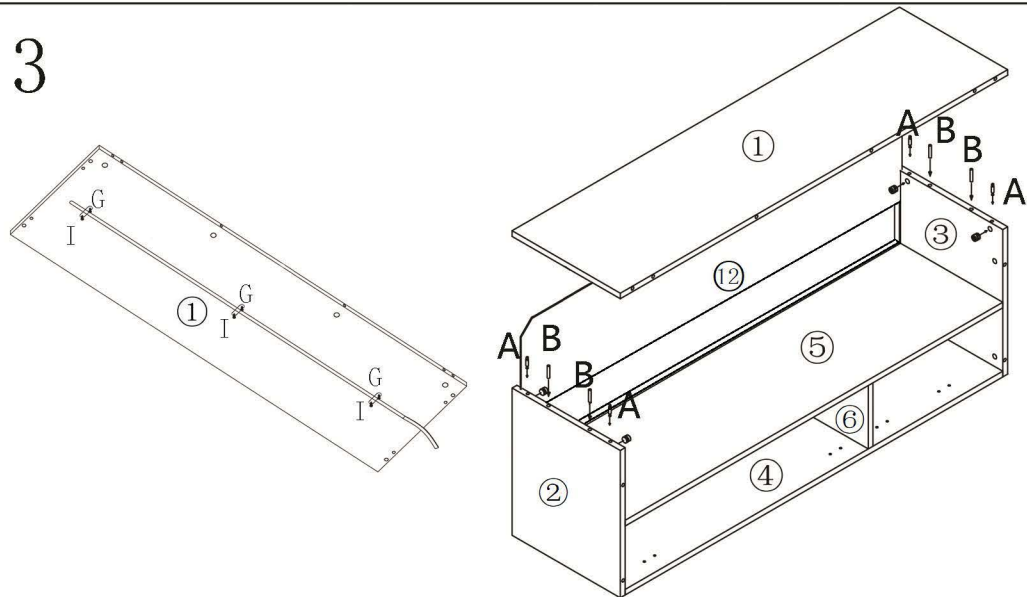
Ax4	Bx4	Cx5	Dx10				



NO.	SIZE	QTY	NO.	SIZE	QTY	NO.	SIZE	QTY	NO.	SIZE	QTY
①	1200x335x15	1	⑥	170x312x15	1	⑪	352x204x15	1			
②	415x335x15	1	⑦	1200x70x15	1	⑫	1178x225x3	1			
③	415x335x15	1	⑧	360x70x15	1	⑬	1178x180x3	1			
④	1168x335x15	1	⑨	360x70x15	1						
⑤	1168x335x15	1	⑩	702x204x15	1						

Ax8	Bx8						

3



Ax4



Bx4



Ix3



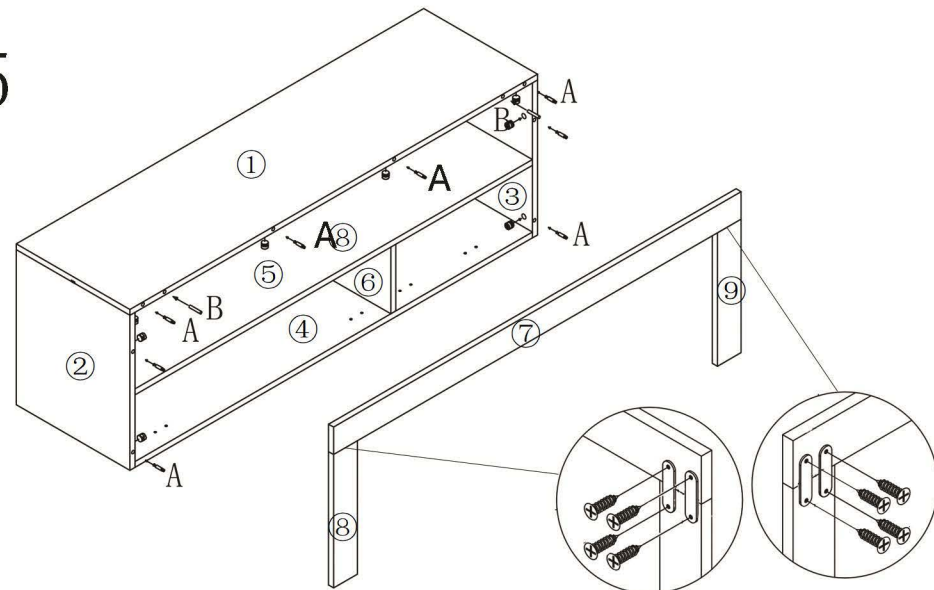
Gx6



LED

Jx1

5



Ix4



Ax6

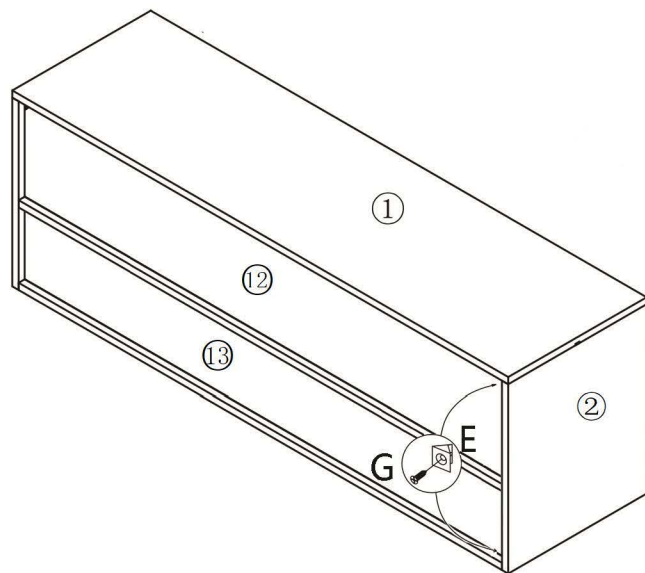


Bx2

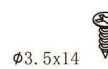


Gx8

4



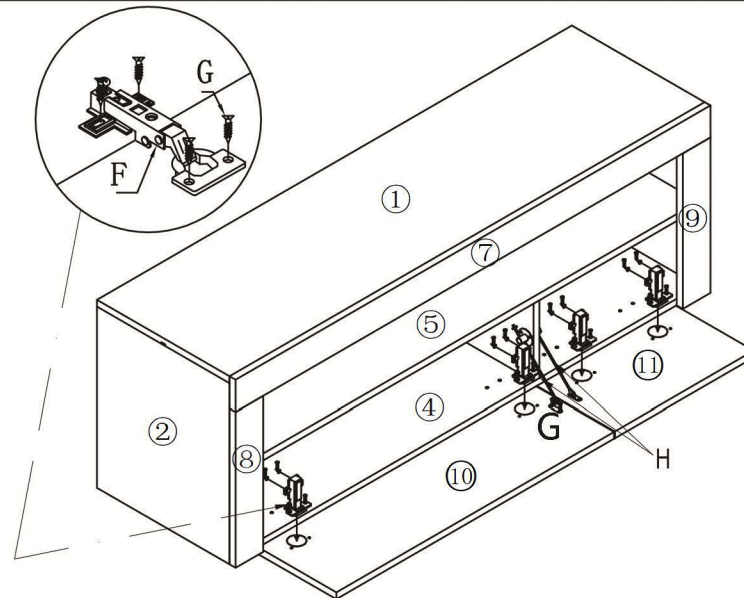
Ex8



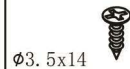
ø3.5x14

Gx8

6



Fx4



ø3.5x14

Gx26



Hx2

LED light

If you can't let the lights work successfully, please check the following:

1. Please check the direction of the connect, try it in the opposite direction, according to the following picture.
2. Please check the remote control, it need you to tear down the plastic septum before use it.
3. Don't let the remote control too far from the receiver, make sure there is no obstruction between them.

