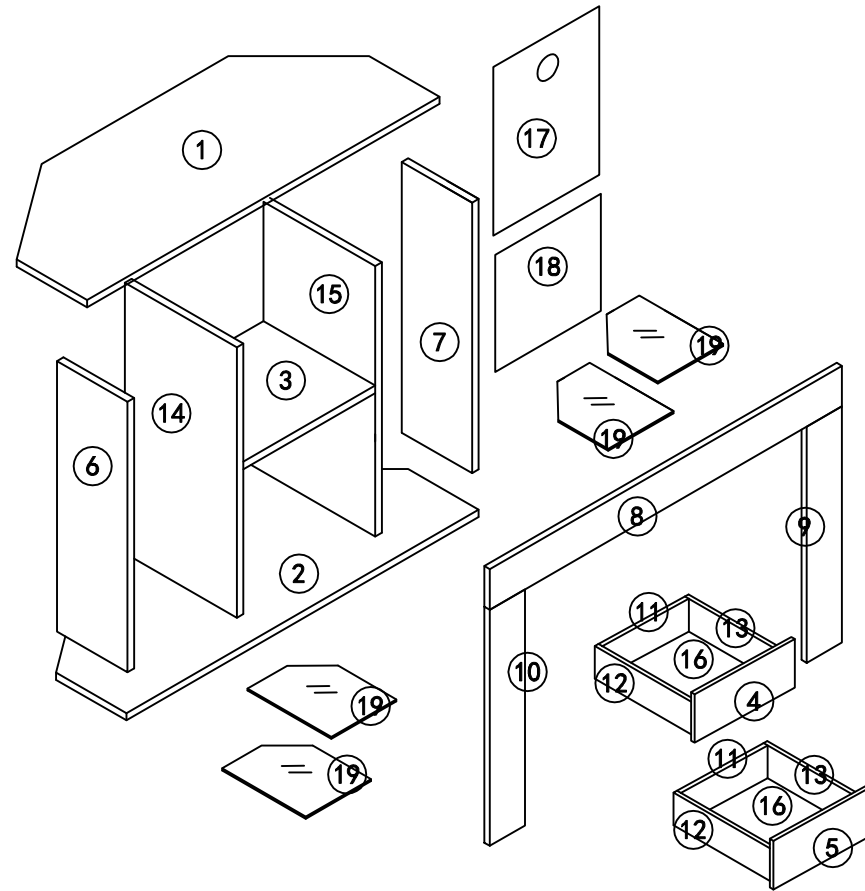
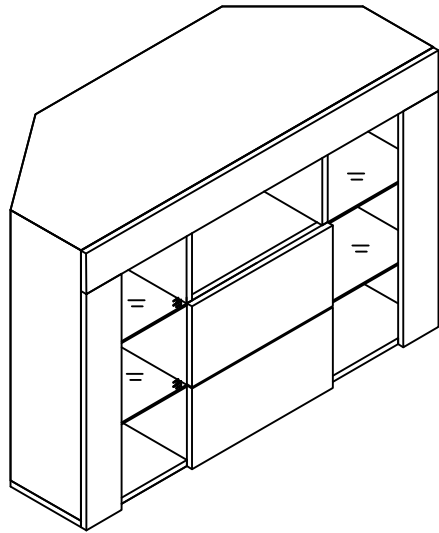
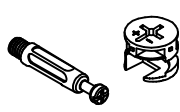
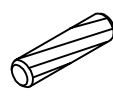
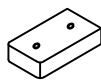



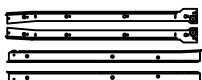


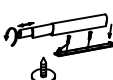


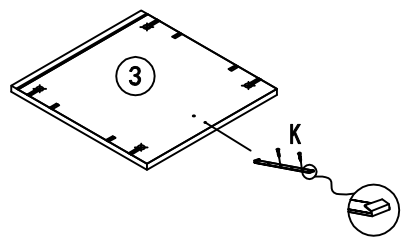
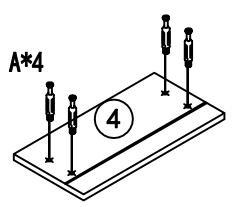
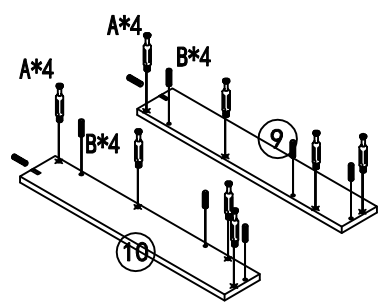
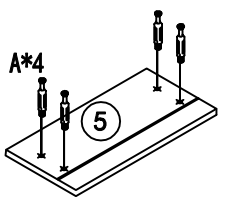
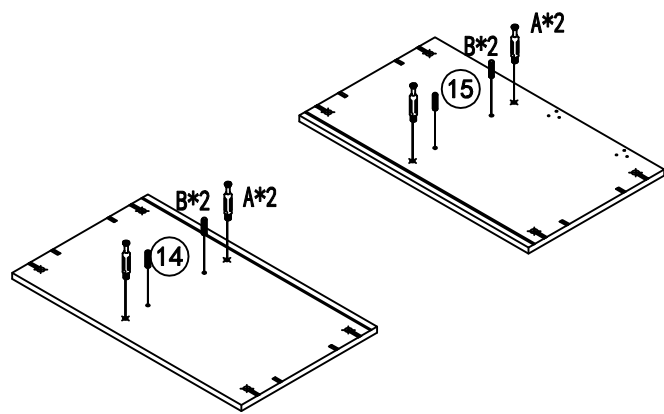
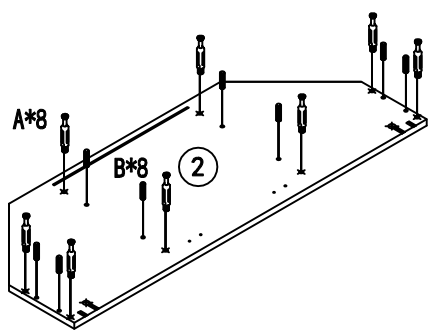
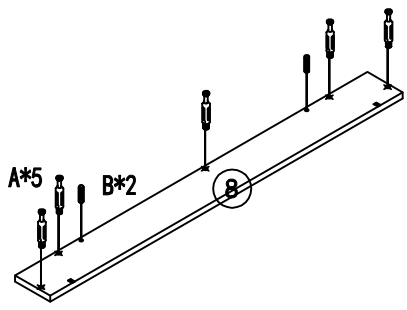
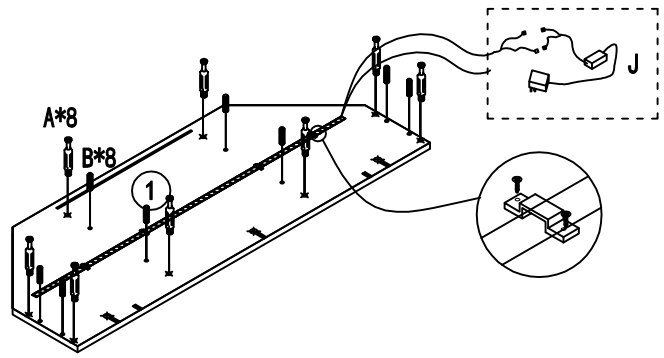
ASSEMBLY INSTRUCTION



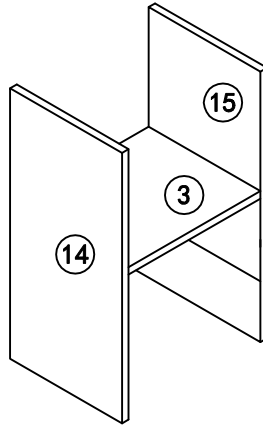
<p>A 41 PCS</p> 	<p>B 30 PCS</p>  <p>φ 8*30</p>		<p>D 4 PCS</p> 	<p>E 8 PCS</p>  <p>φ 4*25</p>	<p>F 16 PCS</p> 	<p>G 36 PCS</p>  <p>φ 3.5*14</p>
---	---	--	--	--	---	---

<p>H 2 PCS</p>  <p>300MM</p>	<p>I 8 PCS</p>  <p>φ 3.5*30</p>	<p>J 1 PCS</p>  <p>LED 1.0M</p>	<p>K 2 PCS</p> 	<table border="1"> <thead> <tr> <th>No.</th> <th>Size</th> <th>Qty</th> <th>Ctn</th> <th>No.</th> <th>Size</th> <th>Qty</th> <th>Ctn</th> <th>No.</th> <th>Size</th> <th>Qty</th> <th>Ctn</th> <th>No.</th> <th>Size</th> <th>Qty</th> <th>Ctn</th> </tr> </thead> <tbody> <tr> <td>①</td> <td>1000*385*15</td> <td>1</td> <td>WD-1</td> <td>⑥</td> <td>650*185*15</td> <td>1</td> <td>WD-1</td> <td>⑪</td> <td>313*120*15</td> <td>2</td> <td>WD-2</td> <td>⑯</td> <td>322*293*3</td> <td>2</td> <td>WD-1</td> </tr> <tr> <td>②</td> <td>1000*385*15</td> <td>1</td> <td>WD-1</td> <td>⑦</td> <td>650*185*15</td> <td>1</td> <td>WD-2</td> <td>⑫</td> <td>300*120*15</td> <td>2</td> <td>WD-1</td> <td>⑰</td> <td>378*273*3</td> <td>1</td> <td>WD-1</td> </tr> <tr> <td>③</td> <td>385*369*15</td> <td>1</td> <td>WD-1</td> <td>⑧</td> <td>1000*100*15</td> <td>1</td> <td>WD-2</td> <td>⑬</td> <td>300*120*15</td> <td>2</td> <td>WD-2</td> <td>⑱</td> <td>378*378*3</td> <td>1</td> <td>WD-1</td> </tr> <tr> <td>④</td> <td>399*198.5*15</td> <td>1</td> <td>WD-2</td> <td>⑨</td> <td>581*100*15</td> <td>1</td> <td>WD-2</td> <td>⑭</td> <td>650*385*15</td> <td>1</td> <td>WD-1</td> <td></td> <td></td> <td></td> <td></td> </tr> <tr> <td>⑤</td> <td>399*198.5*15</td> <td>1</td> <td>WD-2</td> <td>⑩</td> <td>581*100*15</td> <td>1</td> <td>WD-2</td> <td>⑰</td> <td>650*385*15</td> <td>1</td> <td>WD-1</td> <td></td> <td></td> <td></td> <td></td> </tr> </tbody> </table>																No.	Size	Qty	Ctn	No.	Size	Qty	Ctn	No.	Size	Qty	Ctn	No.	Size	Qty	Ctn	①	1000*385*15	1	WD-1	⑥	650*185*15	1	WD-1	⑪	313*120*15	2	WD-2	⑯	322*293*3	2	WD-1	②	1000*385*15	1	WD-1	⑦	650*185*15	1	WD-2	⑫	300*120*15	2	WD-1	⑰	378*273*3	1	WD-1	③	385*369*15	1	WD-1	⑧	1000*100*15	1	WD-2	⑬	300*120*15	2	WD-2	⑱	378*378*3	1	WD-1	④	399*198.5*15	1	WD-2	⑨	581*100*15	1	WD-2	⑭	650*385*15	1	WD-1					⑤	399*198.5*15	1	WD-2	⑩	581*100*15	1	WD-2	⑰	650*385*15	1	WD-1				
No.	Size	Qty	Ctn	No.	Size	Qty	Ctn	No.	Size	Qty	Ctn	No.	Size	Qty	Ctn																																																																																																				
①	1000*385*15	1	WD-1	⑥	650*185*15	1	WD-1	⑪	313*120*15	2	WD-2	⑯	322*293*3	2	WD-1																																																																																																				
②	1000*385*15	1	WD-1	⑦	650*185*15	1	WD-2	⑫	300*120*15	2	WD-1	⑰	378*273*3	1	WD-1																																																																																																				
③	385*369*15	1	WD-1	⑧	1000*100*15	1	WD-2	⑬	300*120*15	2	WD-2	⑱	378*378*3	1	WD-1																																																																																																				
④	399*198.5*15	1	WD-2	⑨	581*100*15	1	WD-2	⑭	650*385*15	1	WD-1																																																																																																								
⑤	399*198.5*15	1	WD-2	⑩	581*100*15	1	WD-2	⑰	650*385*15	1	WD-1																																																																																																								

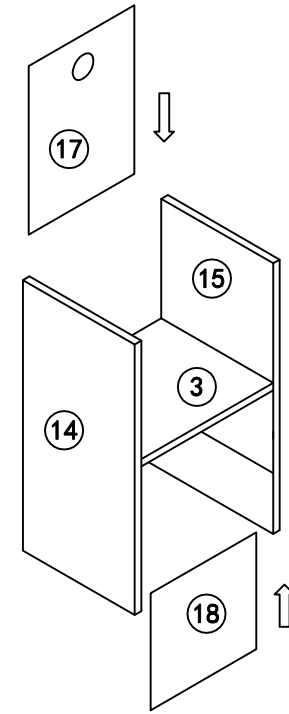
Step 1



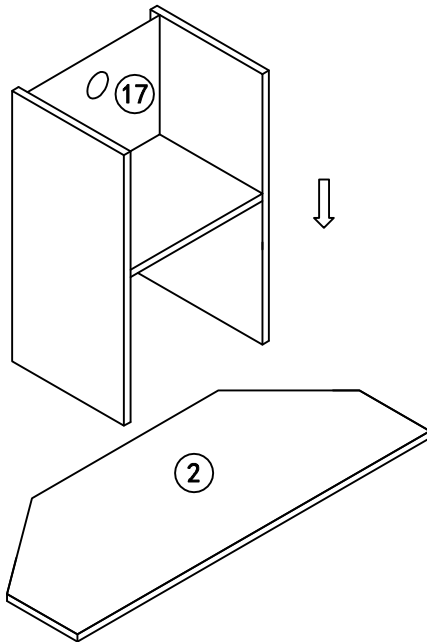
Step 2



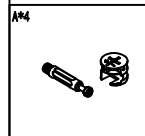
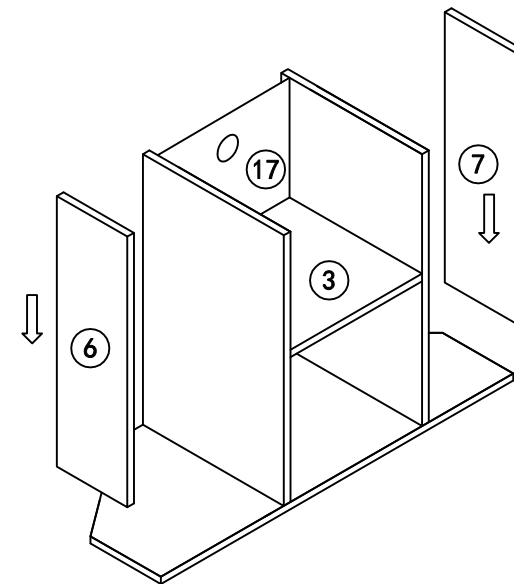
Step 3



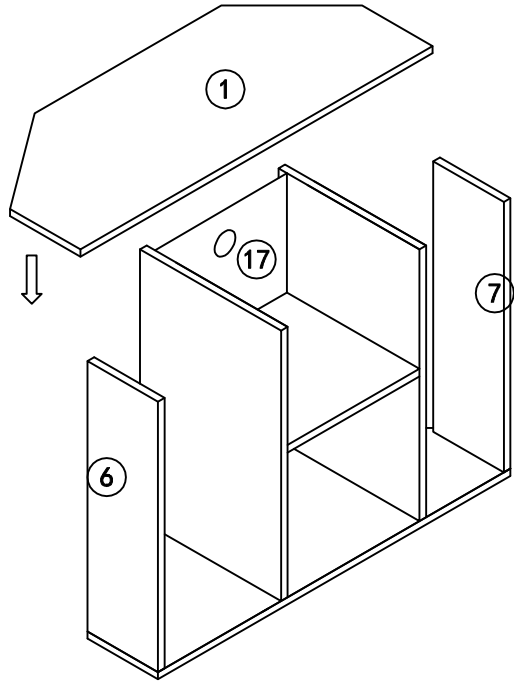
Step 4



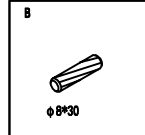
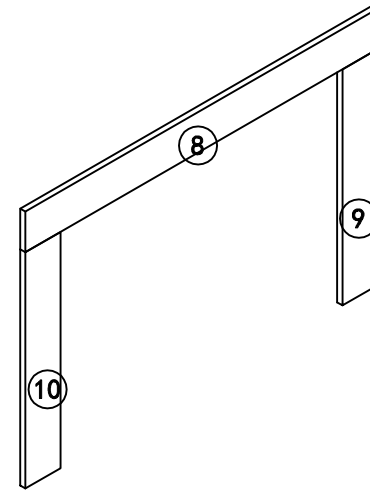
Step 5



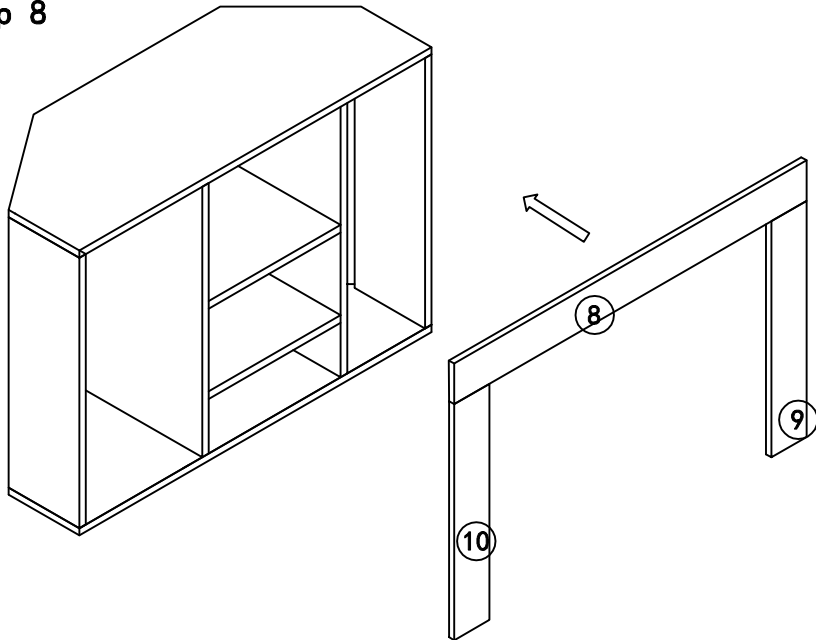
Step 6



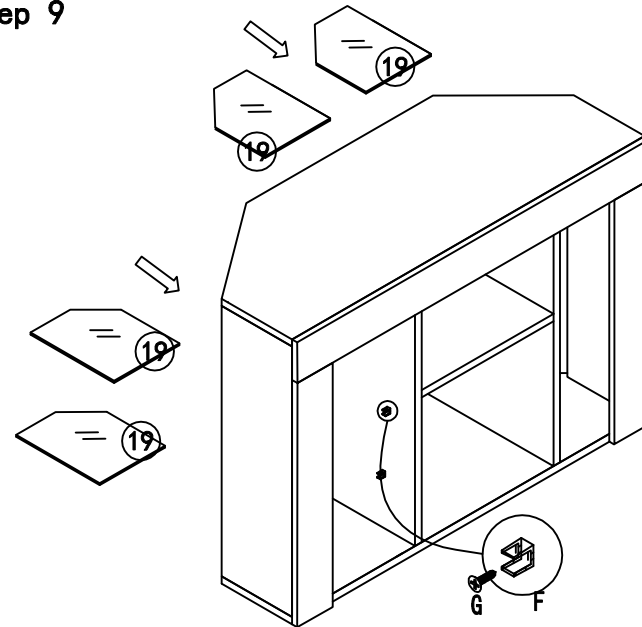
Step 7



Step 8



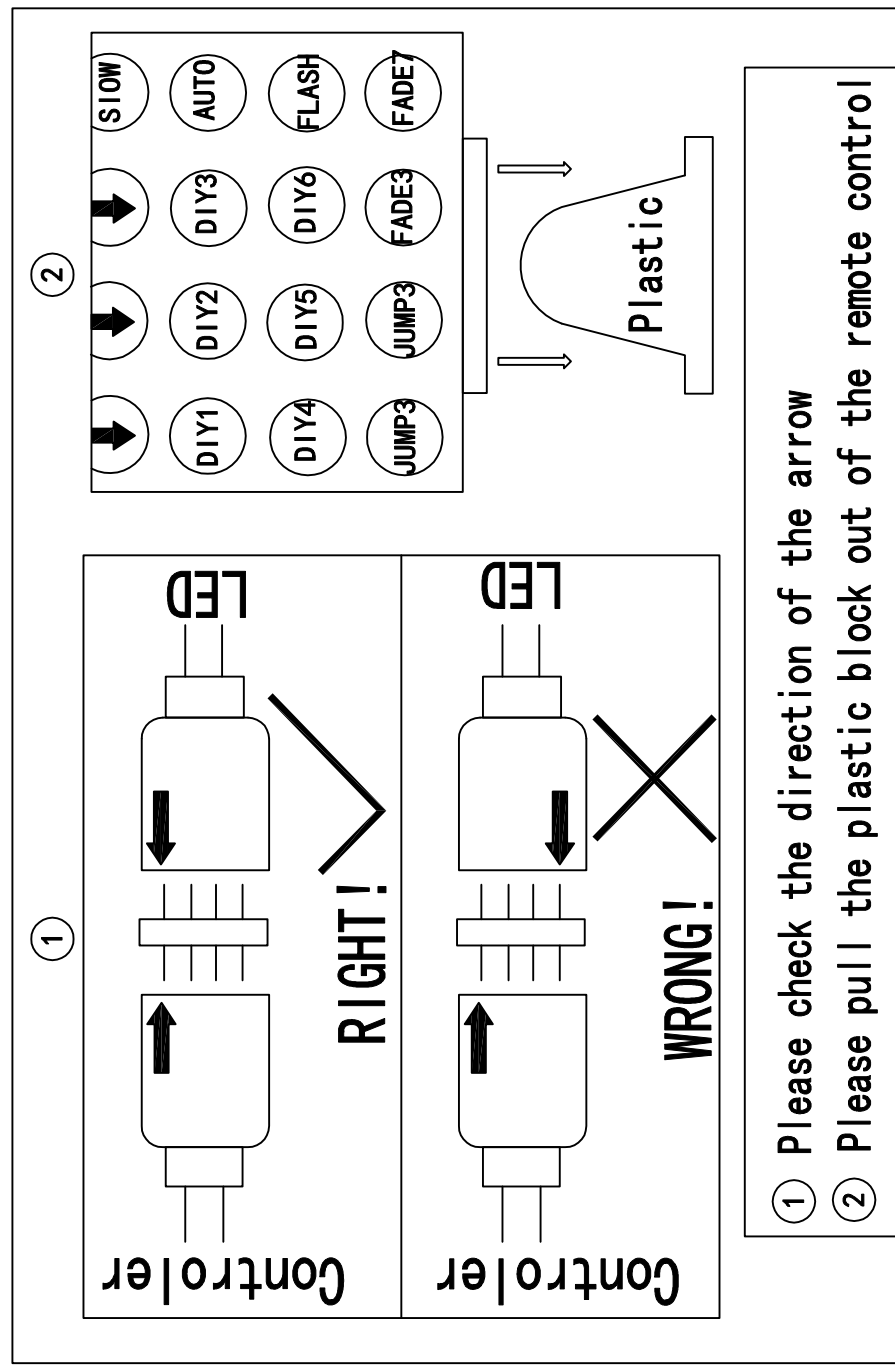
Step 9



LED light

if you can't let the lights work successfully , please check the following:

1. Please check the direction of the connect, try it in the opposite direction, according to then following pictrue.
2. Please check the remote control, it need you to tear down the plastic septefore use it.
3. Don't let the remote control too far from the receiver, make sure there is no obstruction between them.



If the led lights still can't work successfully, please pay attention to Twitter:barryandyou, we have prepared a detailed video for you.