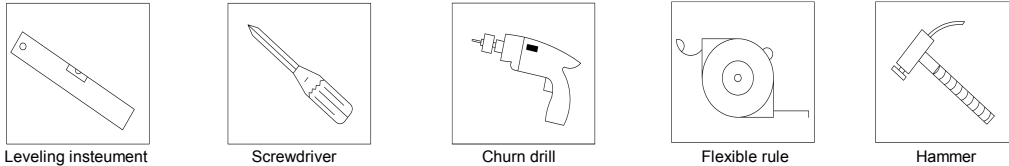


Instructions for LED bathroom mirror (Applicable to touch sensor switch)

Notes: to ensure the normal use of products. It is required set out wires as per the regulations of IEE at the installation places. The products are only applicable to being installed on the indoor solid wall, etc. The installation must be executed by a professional electrician, and wrong installation may lead to product damage and personal injury.

Installation tools (as shown below)



Installation instruction:

1. Make certain the wall is solid, and use the flexible rule to measure the centre distance between two hardy holes on the mirror frame ("a" and "b" in Fig.2).
2. Use the flexible rule to measure the centre distance between two hardy holes on the wall ("a" and "b" in Fig.2), and mark them out with a pencil.
3. Choose the churn drill with an appropriate drill bit to make two holes at the marked places, and use a special ceramic drill if the wall surface is made of ceramic tiles.
4. Use the hammer to strike the expansion rubber plug in accessory bag into the holes on the wall, and then use the screwdriver to tighten the screws into the holes (exposure for 8-12mm).
5. Switch off the power, and then use a terminal block to connect the three-core exposed wires with those reserved on the wall (see details in Fig.3)
6. Hang the product on the screw crossing two hardy holes to fix it.
7. Switch on the power, then press the "①" (Fig.1) to test the products.
8. Dimmable: Turn on the switch, then long press ① to adjust the light.
9. Color Temperature: Turn on the switch, press ① again to change the color temperature
10. Anti-fog/Time: Press ② to control the anti-fog. Long press ②, the number will flicker, then press ② to adjust time.

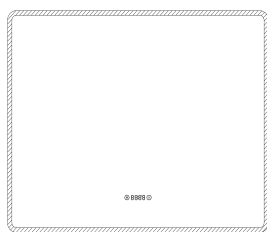


Fig. 1

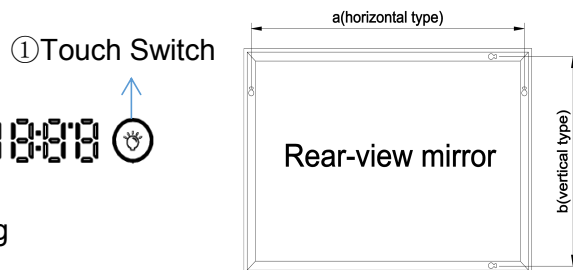


Fig. 2

Wiring diagram for input terminal

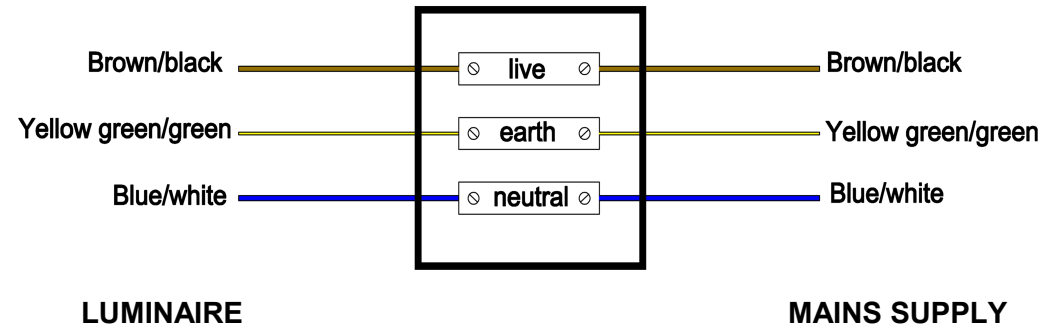
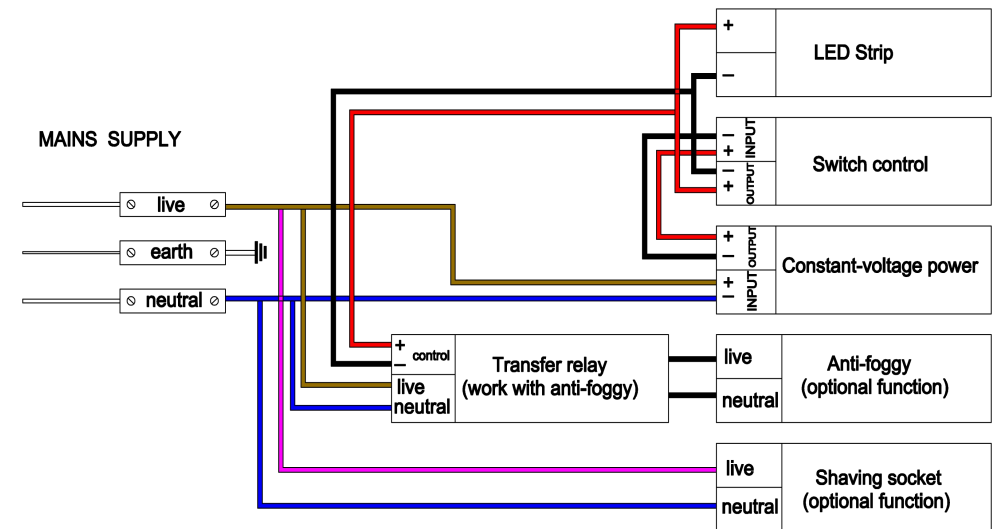


Fig. 3

Schematic diagram



Warm tips:

1. During operation, never put hard and sharp materials directly against the mirror surface, or otherwise, it may result in current leakage and even personal injury accident.
2. Never forget to turn off the power switch in storm days, or otherwise, lighting may damage electric elements of the product.
3. During normal operation, never forcibly pull out the power plug to stop the product, or otherwise, electric elements of the product may be damaged.
4. Please pull out the power plug if the product is not used for a long time.