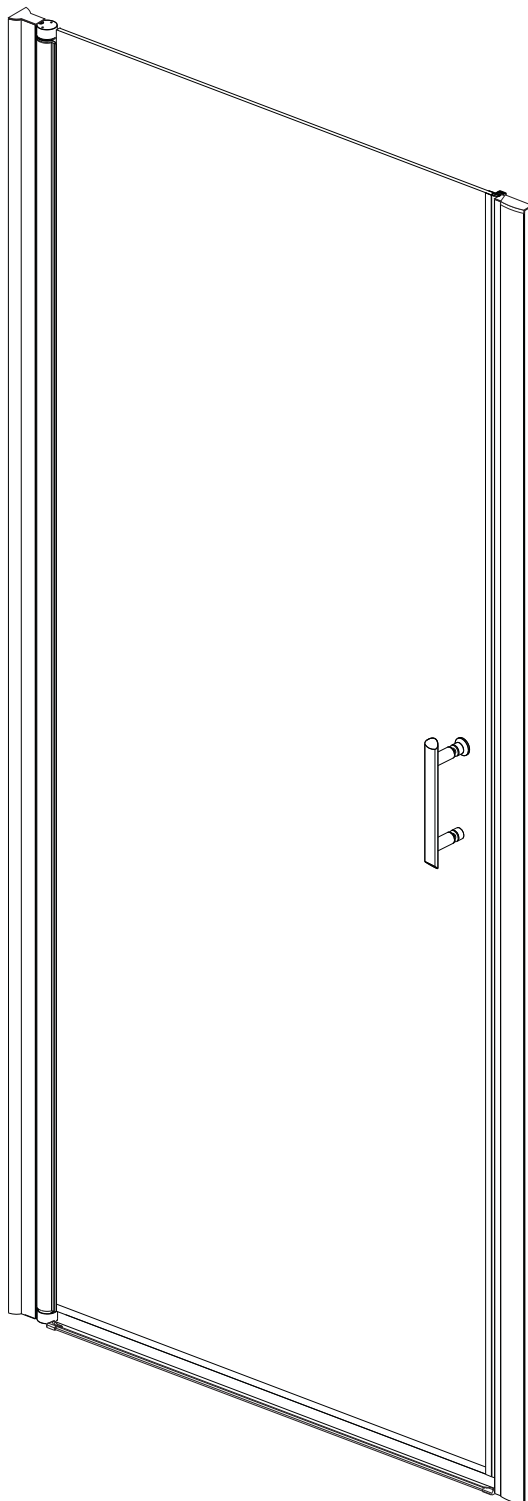
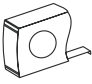


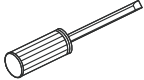

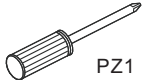

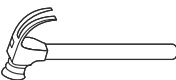
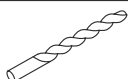



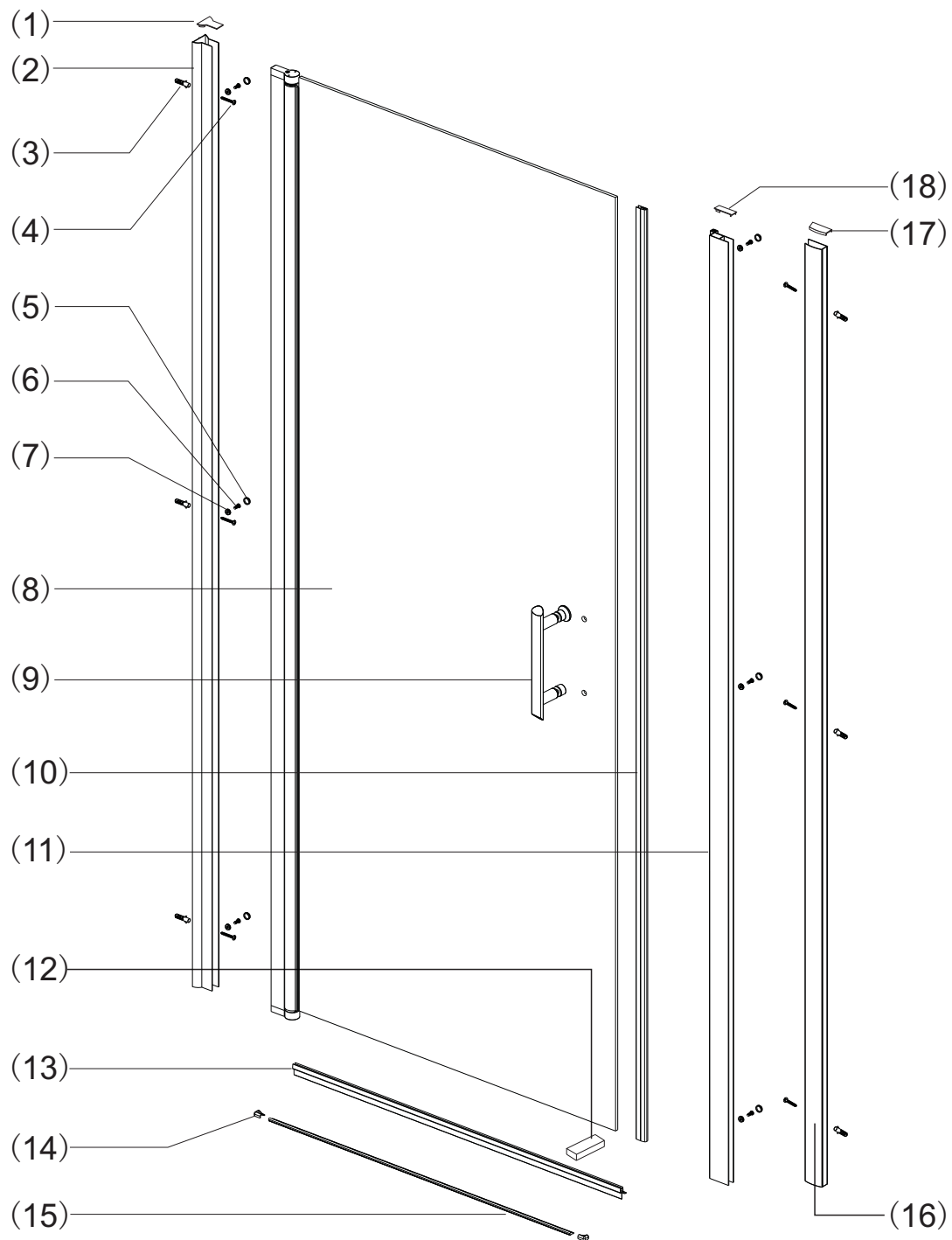
# FRAMELESS PIVOT DOOR



## TOOLS REQUIRED

DESCRIPTION	PART IMAGE	DESCRIPTION	PART IMAGE
Tape measure		Drill	
Spirit level		Flat-head Screwdriver	
Pencil		Cross head Screwdriver	 PZ1
Ø6mm Drill bit		Hammer	
Ø3mm Drill bit		Silicone Sealant	

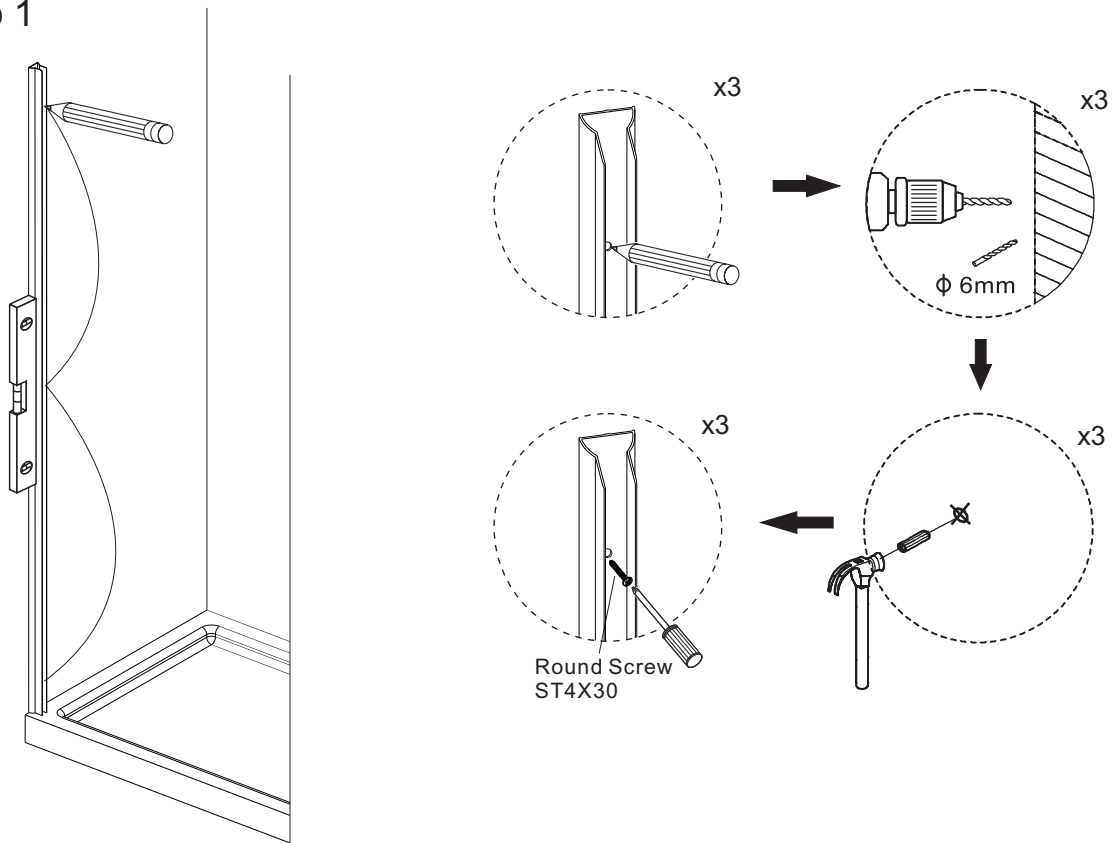
# ASSEMBLY INSTRUCTIONS-DRAWING



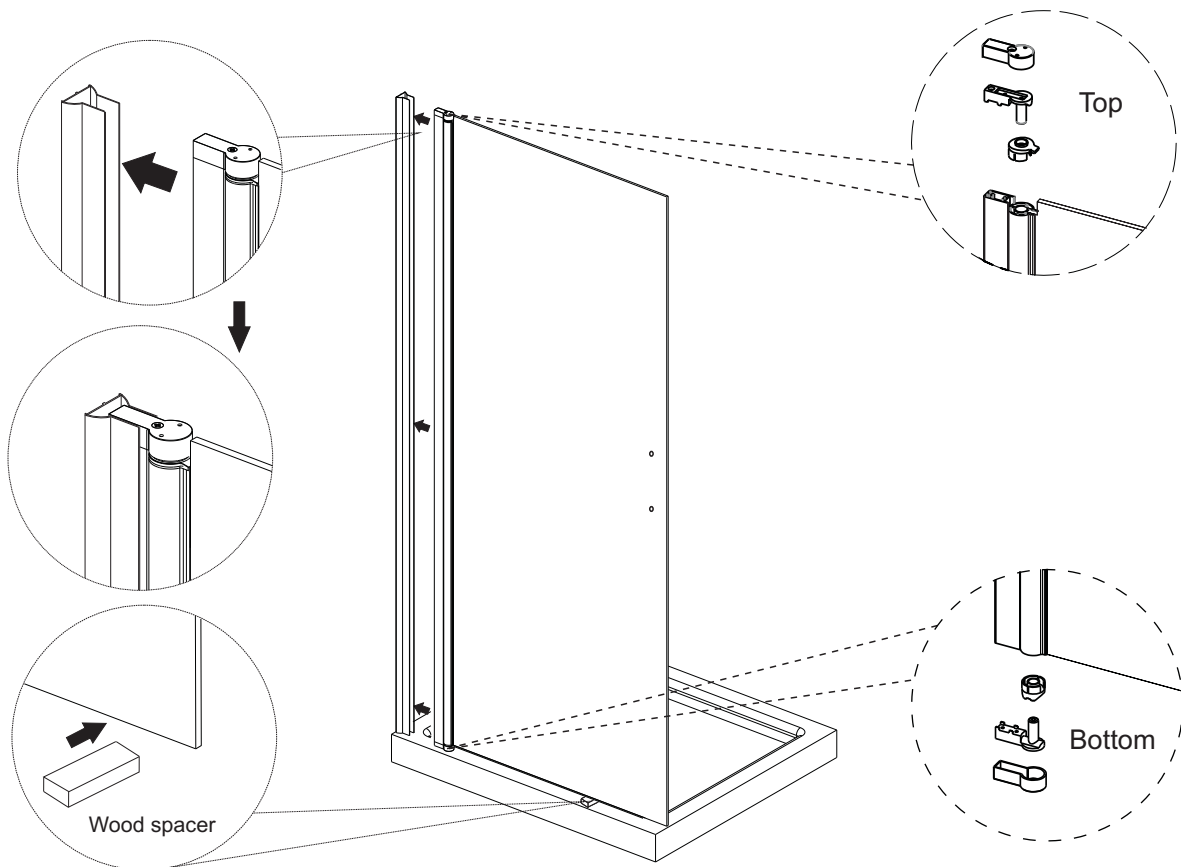
- |                               |                                     |
|-------------------------------|-------------------------------------|
| (1) 1x Wall Profile Cover Cap | (10) 1x Magnet Seal                 |
| (2) 1x Wall Profile A         | (11) 1x Upright Magnet Profile      |
| (3) 6x Wall Plugs             | (12) 1x Wood Spacer                 |
| (4) 6x Screws 4x30            | (13) 1x Bottom seal                 |
| (5) 6x Screw Cover Caps       | (14) 2x End Caps L/R                |
| (6) 6x Screws 4x12            | (15) 1x Drip Strip                  |
| (7) 6x Screw Cover Clips      | (16) 1x Wall Profile B              |
| (8) 1x Moving panel           | (17) 2x Wall Profile Cover Caps L&R |
| (9) 1x Handle                 | (18) 1x Upright Profile Cover Caps  |

# ASSEMBLY INSTRUCTIONS

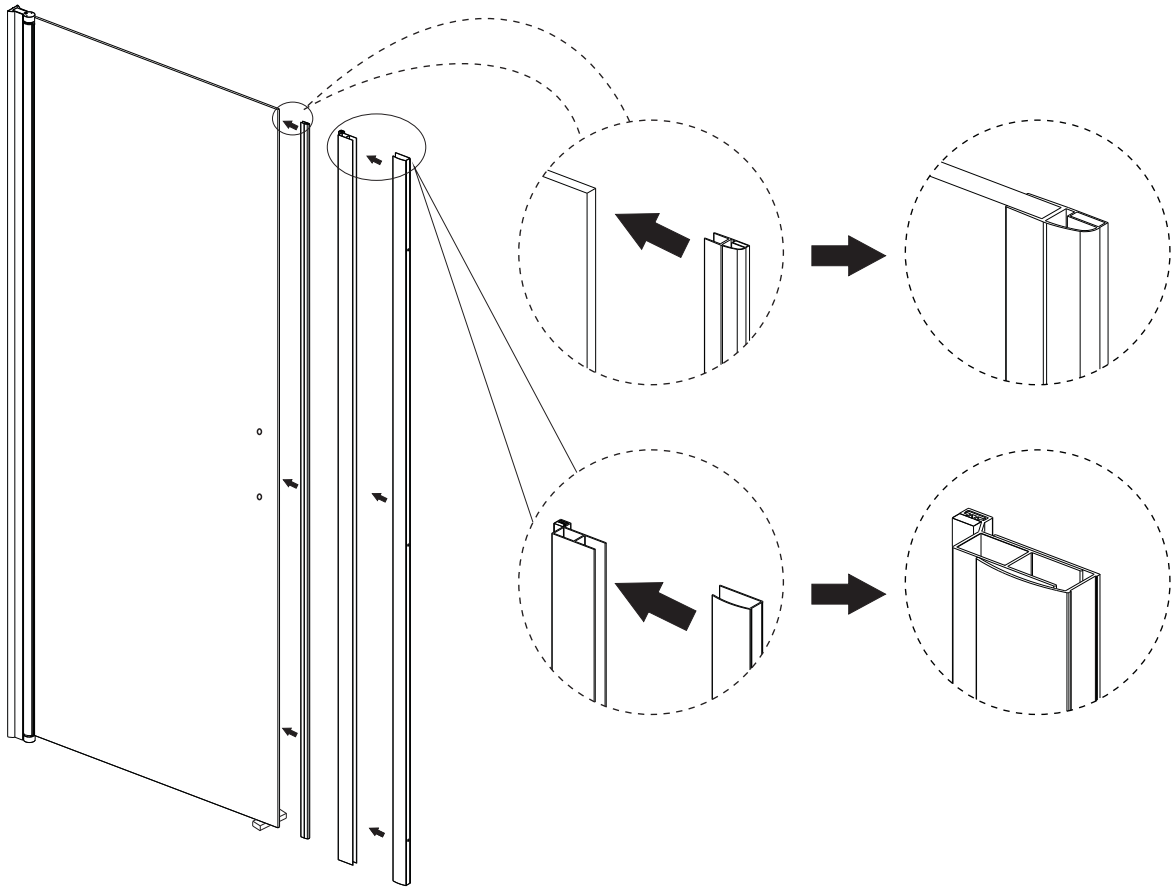
## Step 1



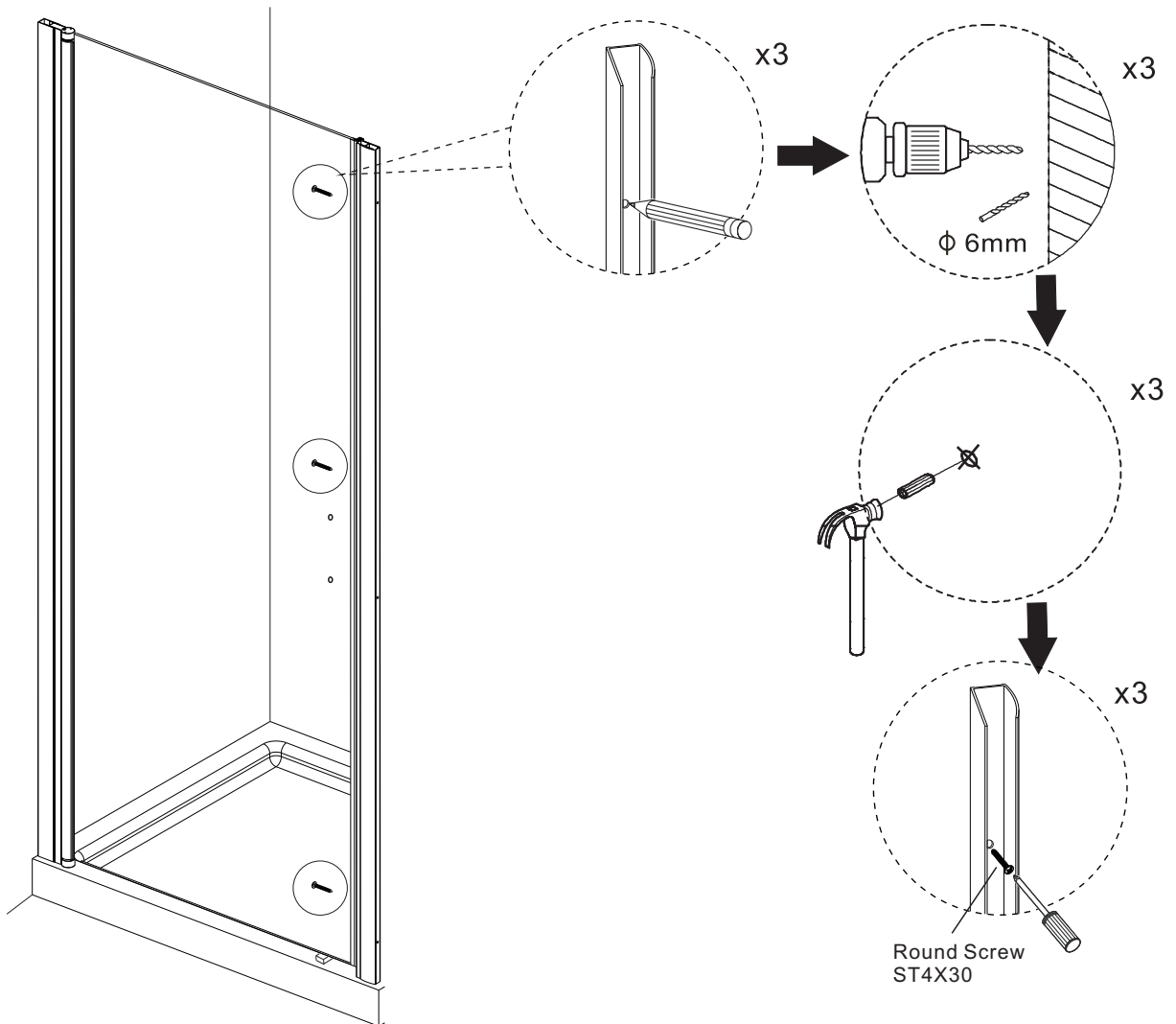
## Step 2



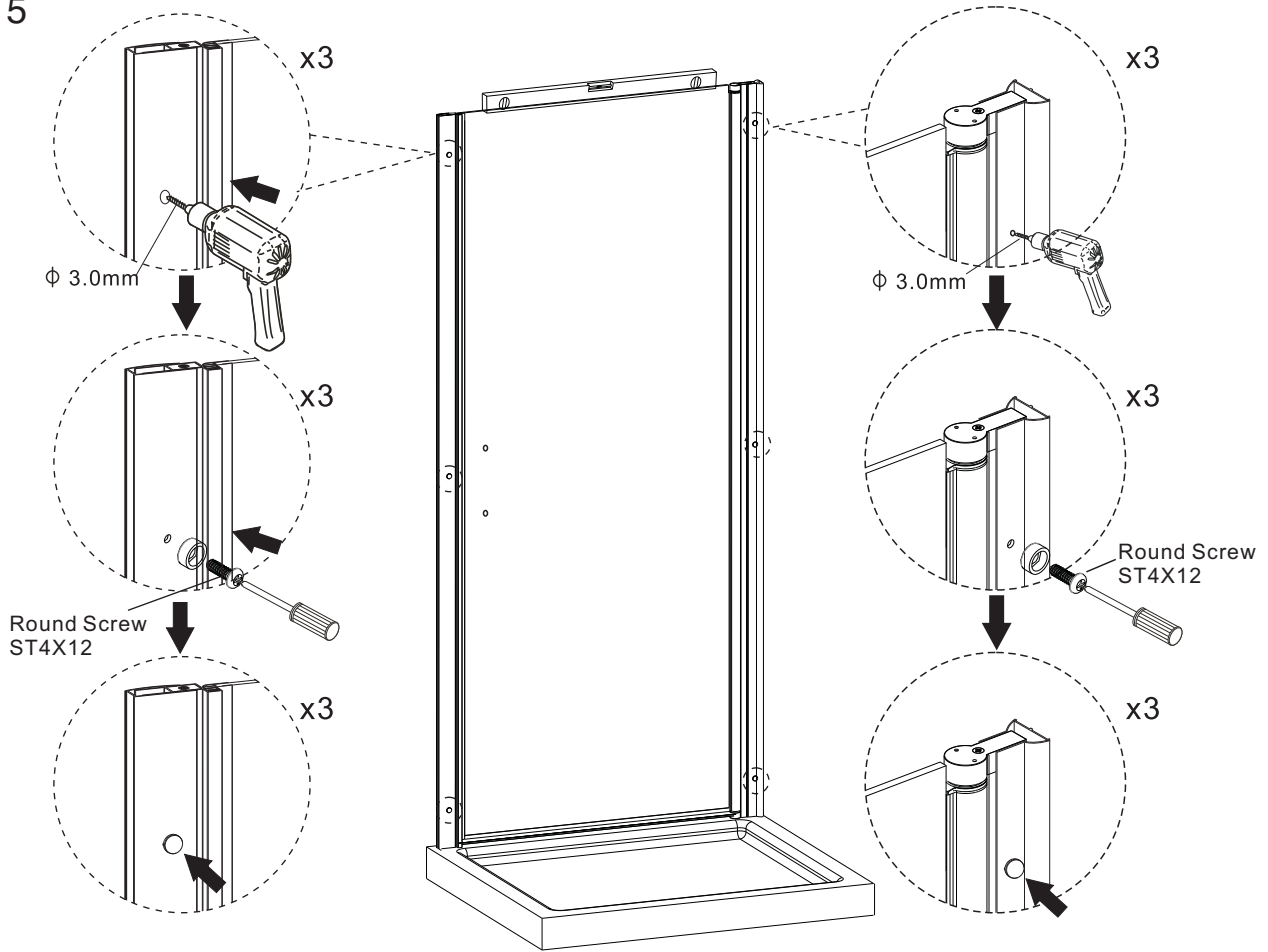
### Step 3



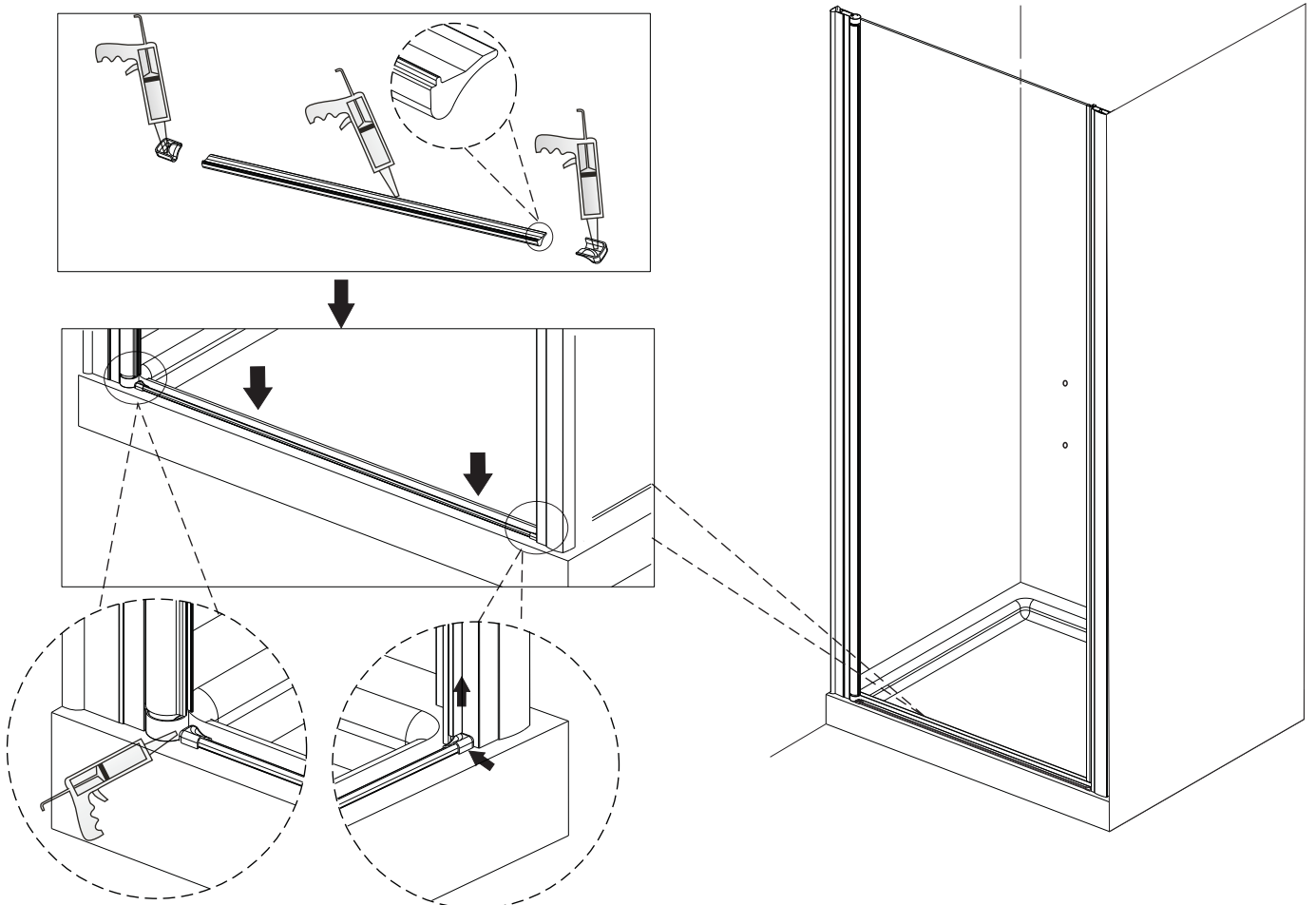
### Step 4



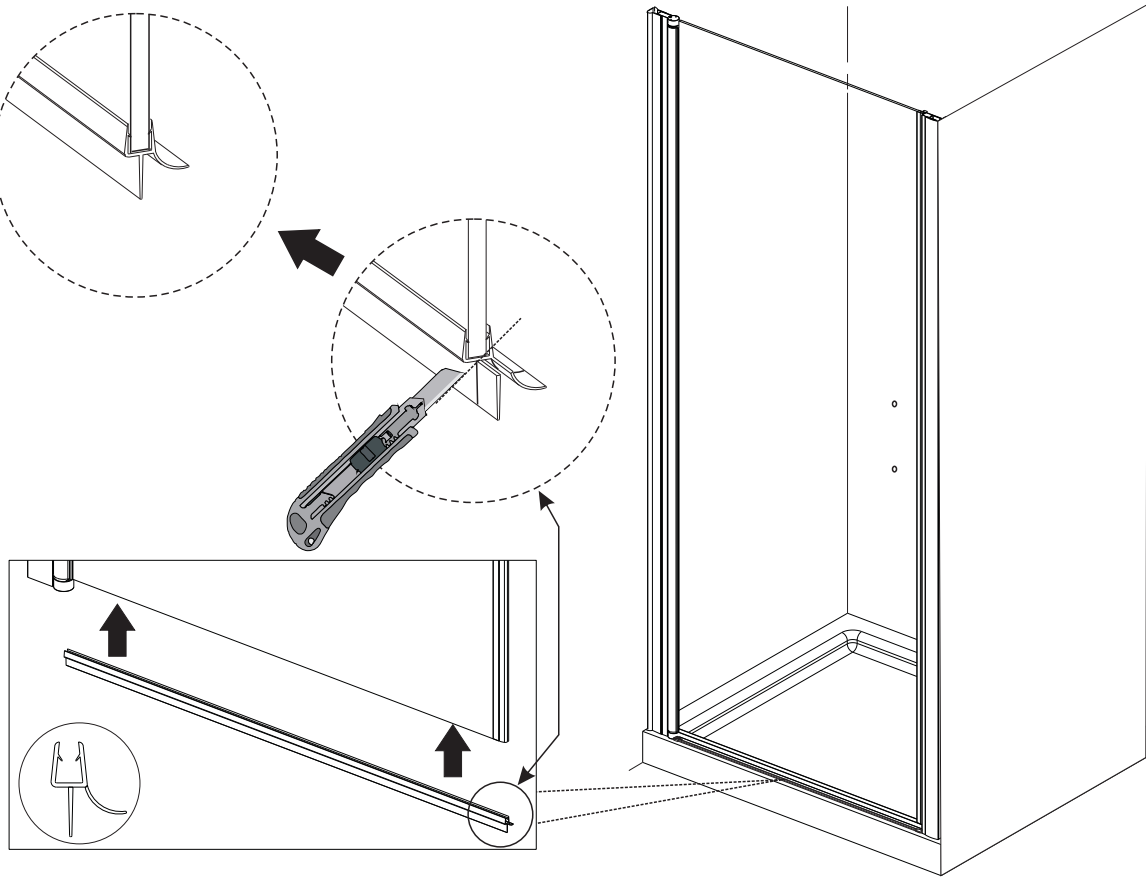
## Step 5



## Step 6



## Step 7



## Step 8

